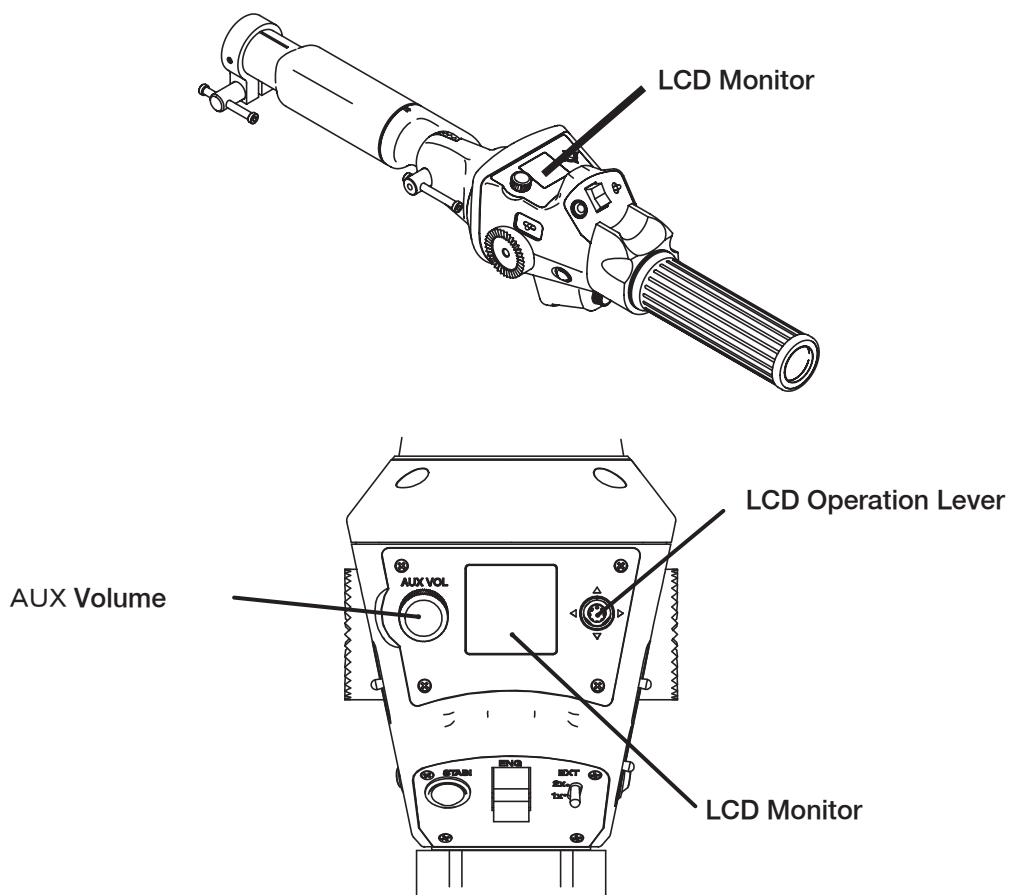


LCD MONITOR USER MANUAL

- ◆ This product can be operated using the menus on its LCD monitor, allowing for more detailed settings in addition to those that can be set on conventional models.



CONTENTS

1 OVERVIEW OF MENU OPERATIONS	2
1.1 OPERATION MODES	2
1.2 NAMES AND FUNCTIONS	2
1.3 OPERATION MENU	3
2 OPERATION MODE TRANSITION	4
2.1 SELECTING THE OPERATION MODE	4
3 OPERATIONS IN CHECK MODE	5
3.1 INDICATION OF PARAMETERS	5
3.2 ON/OFF CONTROL OF LCD BACKLIGHT	5
3.3 SWITCH OPERATION STATUS DISPLAY	6
4 OPERATIONS IN SETTING MODE	7
4.1 LCD OPERATION LEVER AND AUX VOLUME OPERATIONS	7
4.2 SETTING METHODS.....	7
4.3 OVERVIEW OF SETTING MODE (TOP MENU LEVEL).....	8
4.4 USER SETTINGS	9
4.5 SETTING FUNCTIONS TO OPERATION SWITCHES	9
5 FUNCTION-SPECIFIC MENU OPERATIONS	10
5.1 AUX SWITCH SETTING : 「AUX SET」	10
5.2 AUX VOLUME SETTING : 「AUX VOL」	12
5.3 MACRO CONTROL SETTINGS : 「MAC CTR」	13
5.4 SWITCH OPERATION SETTING : 「MEMO」	14
5.5 SWITCH OPERATION SETTING : 「SWITCH」	15
5.6 ZOOM LIMIT SETTING : 「Z LMT SET」	16
5.7 ZOOM CURVE SETTING : 「ZCURVE」	17
5.8 THUMB RING DEAD ZONE SETTING : 「ZPATT」	19
5.9 FLANGE FOCAL LENGTH ADJUSTMENT : 「RBF」	20
5.10 BREATHING COMPENSATION TECHNOLOGY (BCT) SETTING : 「BCTSET」	21
5.11 EXTENDER SETTING : 「EXT」	22
6 SYSTEM OPERATION	23
6.1 INITIALIZATION OPERATION	23
6.2 LCD BACKLIGHT SETTING	24
6.3 LCD BACKGROUND COLOR SETTING	25
7 USER DATA SETTING AND RECALLING USER DATA	26
7.1 OPERATION OF USER SETTING MENUS	26
7.2 SELECTING A USER	27
7.3 COPYING THE USER SETTINGS	27
7.4 RESETTING USER SETTINGS	28
7.5 SETTING A USERNAME	28
7.6 LOCKING THE USER SETTINGS	29
8 CONFLICTING WITH THE LENS SETTINGS	31
8.1 WHEN THE DIP SWITCH SETTINGS OF THE LENS HAVE HIGHER PRIORITY	31
8.2 WHEN THERE IS A CONFLICT BETWEEN THE SETTINGS OF A LOCKED USER AND THE SETTINGS OF THE LENS	31
8.3 WHEN THE FUNCTION SET IS NOT PROVIDED ON THE LENS	32

1 OVERVIEW OF MENU OPERATIONS

1.1 OPERATION MODES

Two modes, namely, “Check mode” and “Setting mode,” are provided to perform the operations of this product using the LCD monitor.

Check mode	This mode is used for basic operations. When the power is ON, the product starts in Check mode. The LCD monitor displays the functions assigned to the AUX1, AUX2, and STBI switches and their statuses.
Setting mode	This mode is used for setting up operations such as assigning functions to individual switches of the product and adjusting settings for how each function is used. Setting mode has multilevel, hierarchical menus for more detailed settings based on the selected functions. A user selects a function and adjusts settings by moving between menu levels using the LCD operation lever.

1.2 NAMES AND FUNCTIONS

LCD Monitor	The LCD monitor displays the setting items and their statuses.
LCD Operation Lever	The LCD operation lever is used for moving between menu items and screens and selecting items. Up/down lever operation: Moves between items and selects that item. Right lever operation: Moves to a lower menu level of the selected items. Left lever operation: Returns to a higher menu level from the current level. Center push lever operation: Sets the selected item or setting data.
AUX Volume	This volume control intuitively enables a user to adjust the setting data for flange focal length adjustment, zoom limit position adjustment, and other functions.

Note : When the center push operation is performed, the operation to be performed varies depending on how long the LCD operation lever is pressed and held in at the center.

When there is an instruction for a long or short press, follow the operation given below.

Long Press	Press and hold the switch or lever for 1 second or more.
Short Press	Release the pressed switch or lever in less than 1 second.



1.3 OPERATION MENU

The table of operation menus is given below.

Mode	Level 1	Level 2	Level 3	Level 4	Level 5		
Check mode (Basic screen)	AUX1					Displays the function assigned to the AUX1 switch.	
	AUX2					Displays the function assigned to the AUX2 switch.	
	STBI					Displays the function assigned to the STBI switch.	
Setting mode (Shooting settings)	USER	DEFAULT	SELECT			Function settings when "USER" is not specified. (Default settings when the power is ON) RESET → Restores the settings stored in the memory to default. CANCEL → Returns to a higher menu level.	
			RESET	RESET			
			CANCEL	CANCEL			
		COPY	1		COPY	Copies the "DEFAULT" settings to "USER1" to "USER9."	
			※ Select a number from "1" to "9."		CANCEL	CANCEL → Returns to a higher menu level.	
		USER1-9	SELECT	1			Selects the "USER" number to read out. RESET → Restores the settings stored in the memory to default. CANCEL → Returns to a higher menu level.
				RESET	RESET		
				CANCEL	CANCEL		
	COPY		1		COPY	Selects a "USER" number to which the settings are copied.	
			※ Select a number from "1" to "9."		CANCEL	CANCEL → Returns to a higher menu level.	
	NAME	A-Z, 0-9, Blank				Sets the name of a "USER." Selects and sets whether or not the settings are write-protected (locked). CANCEL → Returns to a higher menu level.	
		LOCK	LOCK/UNLOCK				
		CANCEL	CANCEL				
AUX SET	AUX1	NON	Displays the factory default settings of each function.		Selects the function to be assigned to each switch.		
	AUX2	NON			The functions that can be selected are as follows. NON = No function PSET1 = Preset Switch 1 PSET2 = Preset Switch 2 PSET3 = Preset Switch 3 ZLIMIT = Zoom Limit ON/OFF Select Switch FHLD = F number hold ON/OFF Switch QZOOM = QuickZoom ON / OFF Switch STBI = Optical stabilizer ON/OFF switch RET1 = Return Switch 1 RET2 = Return Switch 2 RET3 = Return Switch 3 RET4 = Return Switch 4 MIC = Intercom switch WIPE = Wiper Switch (For built-in wiper models) AF = AutoFocus ON/OFF Switch P-P = Uniaxial/Servo control ON/OFF switch VTR = VTR Switch MAC CTR = Macro ON/OFF Switch		
	STBI	STBI					
	RET1	RET1					
	RET2	RET2	* "MIC" is not displayed on models that do not have a MIC switch.				
	RET3	RET3					
	MIC	MIC					
AUX VOL	IRIS				Selects the function to be assigned to the AUX volume control.		
	NON						
MAC CTR	POSITION				Performs settings during macro operation. POSITION = Focusing or amount of bokeh SPEED = Lens operation speed		
	SPEED						
MEMO	PSET1	Z+F	MEMORY		Sets the operation of preset switches to which "PSET1" to "PSET3" are assigned. Z+F = Operates as the simultaneous preset switch for zoom and focus. Z/F = Operates as the independent preset switch for zoom or focus.		
		CANCEL	CANCEL				
	Z/F	MEMORY			MEMORY = Stores the zoom and focus preset positions as the limit positions in the memory. CANCEL = Returns to a higher menu level without storing the selected setting in the memory.		
		CANCEL	CANCEL				
	PSET2	Z+F	MEMORY				
		CANCEL	CANCEL				
Z/F	MEMORY						
	CANCEL	CANCEL					
PSET3	Z+F	MEMORY					
	CANCEL	CANCEL					
Z/F	MEMORY						
	CANCEL	CANCEL					
SWITCH	STBI	ALT			Sets the operation of the switches to which the STBI (optical stabilizer), AF (autofocus), MIC (intercom), and RET (return switch) functions are assigned. ALT = Turns the switch ON or OFF every time the switch is pressed. MOM = Turns ON the function as long as the switch is pressed down. ENG = Sets the party with whom communication is carried out on the intercom to "ENGINEER." PD = Sets the party with whom communication is carried out on the intercom to "PRODUCER."		
		MOM					
	AF	ALT					
		MOM					
	MIC	ENG					
		PD					
	RET	ALT					
		MOM					
Z LMT SET	TELE			Select the position to memorize. TELE = Limit Position of Tele end, WIDE = Limit Position of Wide end			
	WIDE						
ZCURVE	CURVE-A	DEF			Sets the zoom operation characteristics (each characteristic of CURVE-A, CURVE-B, and CURVE-N) in relation to the operation of thumb ring. DEF = Standard (default) characteristics. Equivalent to adjustment (ADJUST) value "50." CUSTOM = Applies an arbitrary characteristic curve, which was downloaded to the lens. ADJUST = Selects the operation characteristics from "0" to "99" patterns, which are stored in the lens.		
			CUSTOM				
		ADJUST	0-9 (1st digit)				
			0-9 (2nd digit)				
	CURVE-B	DEF					
			CUSTOM				
		ADJUST	0-9 (1st digit)				
			0-9 (2nd digit)				
	CURVE-N	DEF					
			CUSTOM				
		ADJUST	0-9 (1st digit)				
			0-9 (2nd digit)				
Z PATT	W			Selects the width of the dead zone when the thumb ring is positioned at the center.			
	STD						
	N						
RBF				Adjust the flange focal length using the zoom rate demand control unit.			
BCTSET	ON			Sets the Breathing Compensation Technology (BCT) to ON or OFF.			
	OFF						
EXT	1x			Selects the basic magnification of the extender mounted on the lens.			
	1.2x						
OTHER	ALL RESET				Returns all settings to factory default settings. RESET → Starts initialization. CANCEL → Returns to a higher menu level.		
		RESET					
		CANCEL					
	LCD	ON			Turns ON or OFF the LCD backlight.		
		OFF					
LCDCLR	W			Selects the display colors of LCD. (W = Black characters on white background, B = White characters on black background)			
	B						

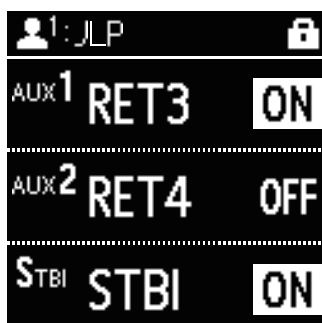
※ The settings in shaded cells indicate default settings.

2 OPERATION MODE TRANSITION

2.1 SELECTING THE OPERATION MODE

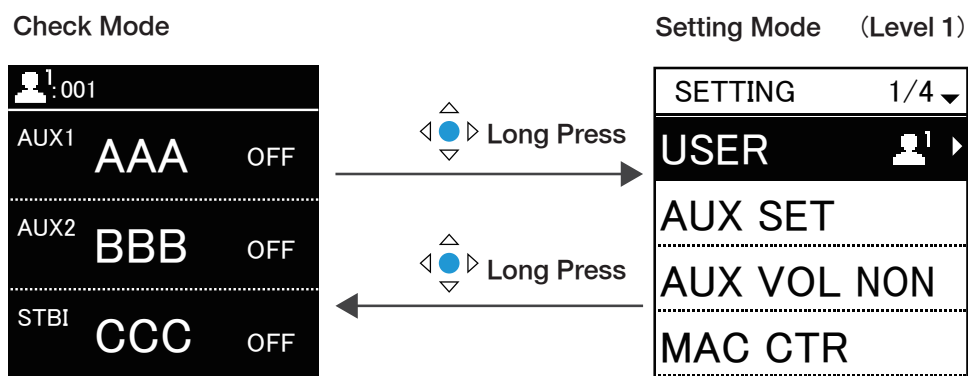
When the power of the lens is turned ON, Check mode is the first screen to be displayed.

In Check mode, the functions assigned to the AUX1, AUX2, and STBI switches and the status of each switch are displayed.



To switch between Check mode and Setting mode, long press the LCD operation lever at the center.

In Setting mode, functions assigned to each switch can be selected and detailed settings such as operation method of each function can be performed.



Switching from Check mode to Setting mode

Long Press (Center push) Moves to the top screen of Setting mode.

Switching from Setting mode to Check mode

Long Press (Center push)	Stores the current parameters and switches the operation mode to Check mode.
No operation for 2 or more seconds.	Cancels the current parameters and switches the operation mode to Check mode.

Note : If the power is turned OFF during operations in Setting mode, the data set at that time will be canceled and the setting conditions prior to the operation will be restored.

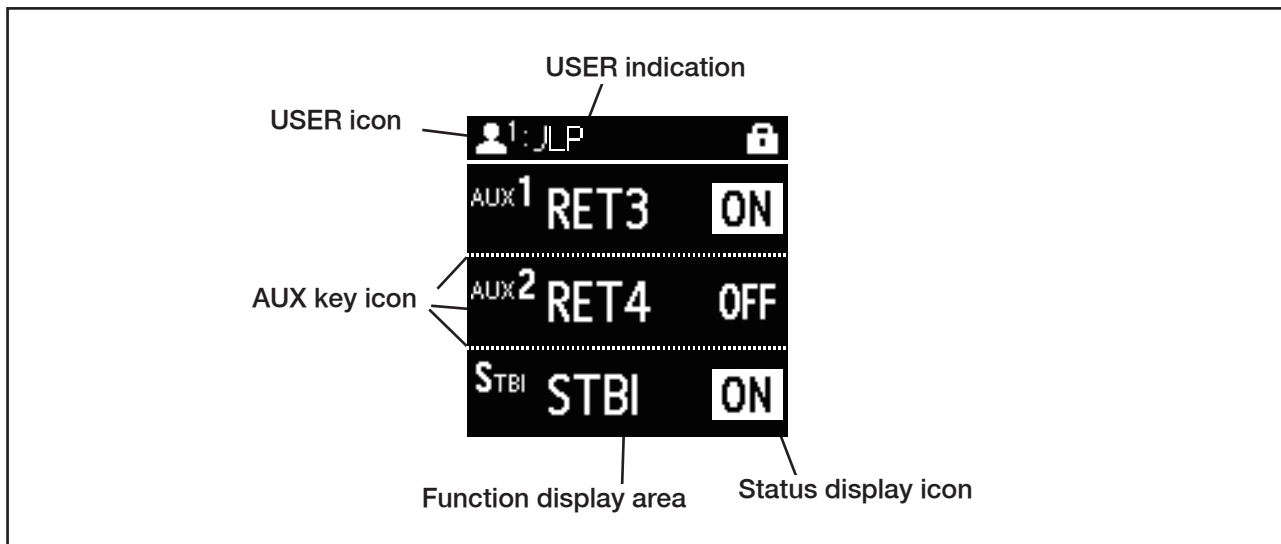
MEMO

3 OPERATIONS IN CHECK MODE

3.1 INDICATION OF PARAMETERS

In Check mode, the functions assigned to the AUX1, AUX2, and STBI switches and statuses of switches are displayed on the screen.

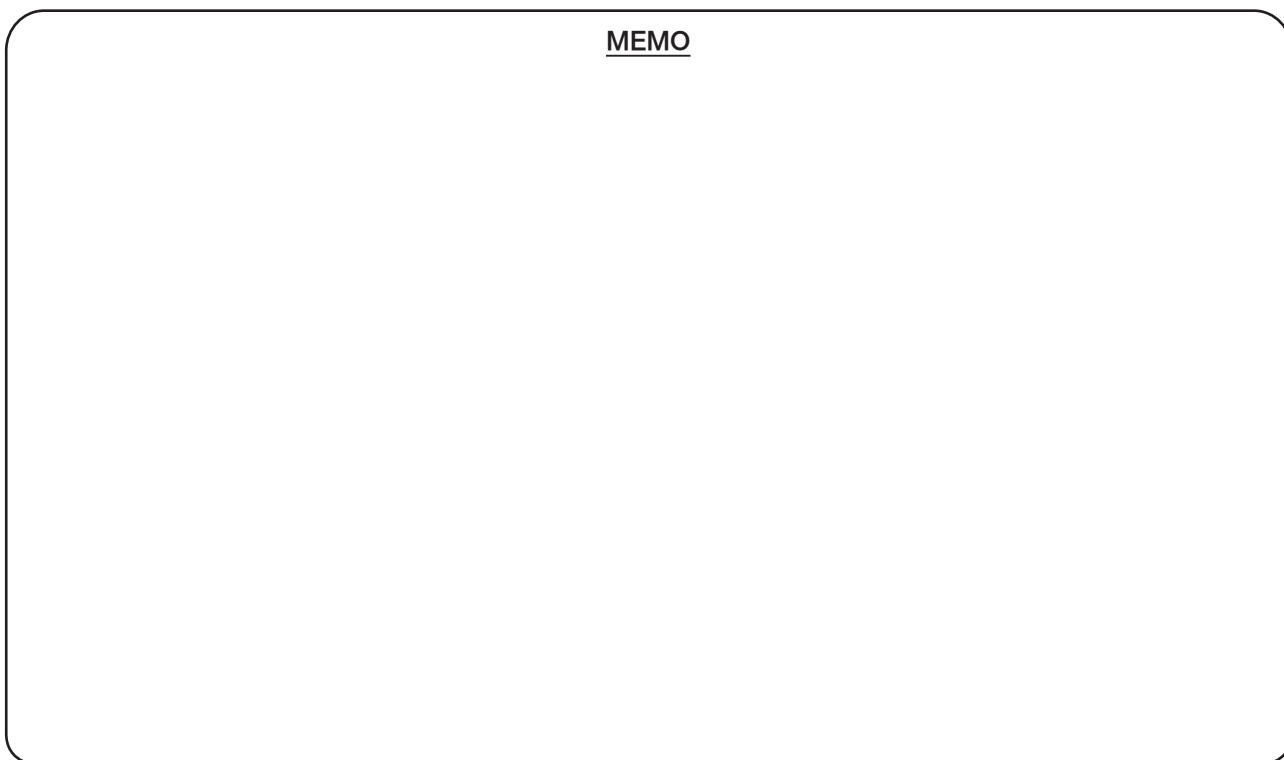
The following data is displayed on the screen.



USER icon	When the setting data of USER0 to USER9 is selected, an icon and USER number are displayed.
AUX key icon	Indicates the main body switches. (AUX1, AUX2, STB)
Function display area	Displays the function assigned to each switch.
Status display icon	Displays the status of each switch.

3.2 ON/OFF CONTROL OF LCD BACKLIGHT

To turn ON or OFF the LCD backlight, short press the LCD operation lever at the center.



3.3 SWITCH OPERATION STATUS DISPLAY

When the AUX switches (AUX1, AUX2, and STBI) of this product are operated, their current statuses are displayed on the screen.

3.3.1 When the basic switch function is set

The status of a switch is displayed as is.

Function of switch	Operation of switch	Indication on the LCD monitor
MOM (Momentary)	Turns ON the switch as long as the switch is pressed down.	Displays the ON/OFF setting of the assigned function. ("ON" is displayed as long as the switch is pressed down.)
ALT (Alternate)	Turns ON or OFF the switch every time the switch is pressed.	Displays the ON/OFF setting of the assigned function. (The switch is turned ON or OFF every time the switch is pressed.)

Note : When the function supported by a lens is set to OFF, the corresponding function will not be activated. In this case, "OFF" is displayed regardless of the switch operation.

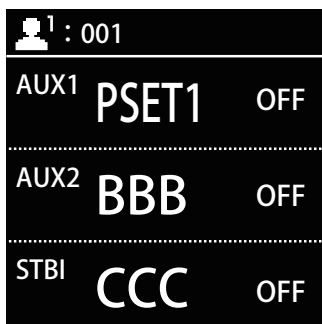
3.3.2 When the switch to which the preset function is assigned is operated

The operation to be performed varies depending on how long the switch to which the preset function has been assigned is pressed and held down.

Function of switch	Operation of switch	Indication on the LCD monitor
Short press	Preset operation starts.	"ON" is displayed as long as the preset function is operating.
Long press	Stores the preset positions in the memory.	Function display screen ①Name of the function assigned to the switch ②Operation status Name of the function PRESET1、PRESET2、PRESET3 Operation status MEMO RUN (Data storing in progress) ★When the storing operation is completed, Check mode is restarted.

- ① When the switch is short pressed, the preset operation is activated and the zoom and focus move to the positions stored in the memory.
- ② When the switch is long pressed, the preset memory operation is activated and the current zoom and focus positions are stored in the memory as preset positions. At this time, the message "MEMO RUN" (data storing in progress) is displayed. One second after the switch is released, the "Preset memo" operation is automatically canceled and the Check mode screen reappears.

When AUX1 is set to "PSET1"



AUX1 (PSET1)
Long press

No operation
for 1 second.

"Preset memo" is in progress



4 OPERATIONS IN SETTING MODE

Note : When the LCD operation lever is long pressed at the center in Setting mode, the current status is stored (set) and Check mode is restarted regardless of the menu level open at that time.

4.1 LCD OPERATION LEVER AND AUX VOLUME OPERATIONS

When Setting mode is selected, operate the LCD operation lever and AUX volume as indicated in the table below.

LCD OPERATION LEVER			
	Indication	Name	Function
		Center push (short press)	Setting operation (Moves between higher and lower menu levels, when enabled.)
		Right operation	Moves to a lower menu level. (This operation is disabled when no lower menu level is available.)
		Left operation	Sets the selected parameter and returns to the previous menu level.
		Up operation	Moves the cursor upward.
		Down operation	Moves the cursor downward.
AUX VOLUME			
		Clockwise direction	The volume can be operated on a specific screen only.
		Counterclockwise direction	The volume can be operated on a specific screen only.

Note 1 : The page of the screen is switched by moving the up/down cursor on screens that contain a large number of items to be displayed.

Note 2 : When the up/down cursor is moved, the cursor skips items that cannot be selected and moves to the next selectable item.

Note 3 : The cursor cannot be moved in the direction for which guidance is not displayed on the LCD monitor.

4.2 SETTING METHODS

In Setting mode, there are three types of setting methods, namely selecting an item using the cursor, setting an item using the dial on the screen, and setting an item using the AUX volume.

Setting method	Example of setting screen	Operation	Remarks
Selecting an item using the cursor		Selects and sets an item using the cursor with the LCD operation lever.	The selected parameter is stored.
Setting an item using the dial		Selects and sets numeric values or characters by moving the dial with the LCD operation lever.	The numeric values or characters are selected by pressing the LCD operation lever up or down, and the place of the digits is moved by pressing the lever left or right.
AUX Volume		Turn the AUX volume to adjust.	In Zoom limit adjustment, the operation position of the AUX volume is displayed .

The AUX volume is used to adjust the zoom limit position and to adjust settings such as the flange focal length using the zoom rate demand unit.

4.3 OVERVIEW OF SETTING MODE (TOP MENU LEVEL)

The functions to be set in Setting mode are indicated in the table below.

The item is selected using the cursor and the detailed settings are made in the lower menu levels (2nd menu level, 3rd menu level). The page that contains the items to be displayed on the LCD monitor is switched by moving the LCD operation lever up or down.

Monitor page number	Item name	Function name	Description	Remarks
1/4	USER	User registration	Sets a user for storing parameters individually.	Settings for up to nine users are stored individually. The "DEFAULT" setting is a common user setting, and is initialized every time power is turned ON.
1/4	AUX SET	Switch function setting	Assigns a function to each switch.	Various functions are assigned to switches provided on the zoom rate demand unit main body.
1/4	AUX VOL	AUX volume setting	Function assignment to AUX volume	Assigns one of a variety of functions to the AUX volume control on the demand unit.
1/4	MAC CTR	Macro Control Settings	Settings used during macro operation	POSITION and SPEED are set using the AUX volume.
2/4	MEMO	Preset function setting	Sets the operation of the switches to which "PSET1" to "PSET3" functions are assigned.	The preset mode ("Z+F" or "Z/F"), which is activated by the switch to which the zoom preset function is assigned, is selected. The preset position can be also stored in the memory during the menu operation.
2/4	SWITCH	Switch operation setting	Sets the detailed operation of the switch.	Sets the operation of the switches to which the STBI, AF, MIC, and RET functions are assigned.
2/4	Z LMT SET	Zoom limit setting	Setting of Zoom Limit Positions	Sets the limit position at the tele-end side and that at the wide-end side using the AUX volume.
2/4	ZCURVE	Zoom curve setting	Sets the characteristics of the zoom curve.	Sets CURVE-A, CURVE-B, and CURVE-N using a numeric value.
3/4	Z PATT	Zoom dead zone setting (thumb ring dead zone)	Selects the width of the dead zone at the center of thumb ring.	Selects the setting from three patterns, namely, "W" for wide, "STD" for standard, and "N" for narrow.
3/4	RBF	Flange focal length adjustment	Flange focal length adjustment	Flange focal length adjustment is performed by operating the zoom rate demand unit.
3/4	BCTSET	Breathing compensation technology	Sets Breathing Compensation Technology (BCT) to ON or OFF.	Selects whether or not the change of the field angle caused by focusing is compensated.
3/4	EXT	Extender setting	Sets the basic magnification of the extender mounted on the lens.	The magnification is set in accordance with the connected lens.
4/4	OTHER	Other settings	Performs the settings associated with the operations of the entire LCD monitor.	Selects either "black characters on white background" or "white characters on black background" for background color selection.

4.4 USER SETTINGS

Select the USER menu.

The USER menu has two types of settings, namely “DEFAULT” that does not specify a user and “USER1” to “USER9” that allow storing the parameters of an individual user in the memory. When a user is selected, the function is set for an individual user based on the setting data stored in the memory.

USER type	Characteristics
DEFAULT	The settings are restored to default every time the power is turned ON.
USER1～9	The settings are stored even after the power is turned OFF.

The USER name is set using 3-digit numbers from “000” to “009” by default. It is possible, however, to register a name by combining numbers and letters.

Note : The selected USER setting is retained even after the power is turned OFF. The next time the power is turned ON, the LCD monitor displays the USER setting that was selected last.

4.5 SETTING FUNCTIONS TO OPERATION SWITCHES

“SETTING FUNCTIONS TO OPERATION SWITCHES” indicates the operation to assign functions to the AUX1, AUX2, STBI, RET1, and RET2 switches.

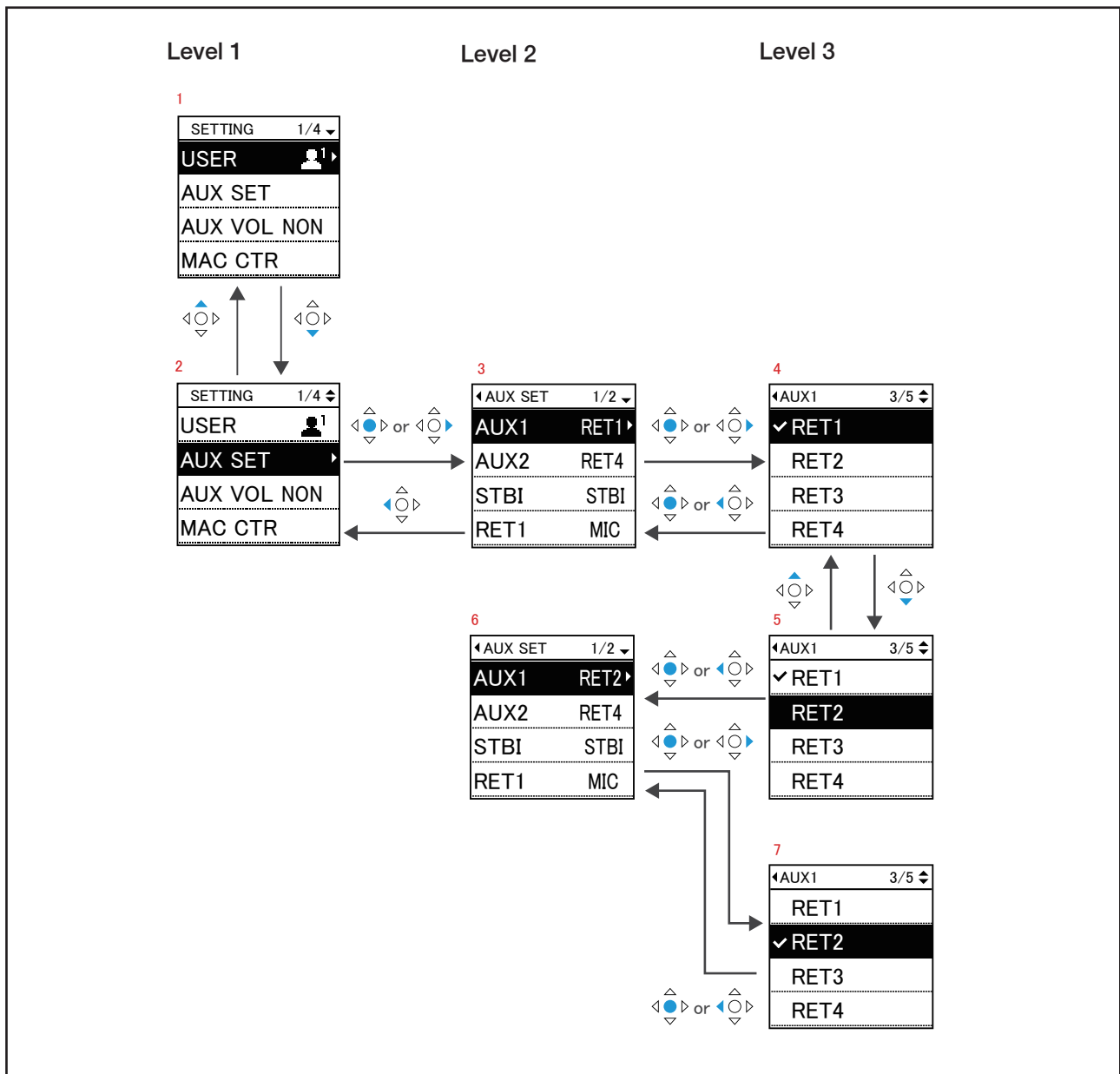
The details about the functions to be assigned and the assigning operation are provided in section 5, “FUNCTION-SPECIFIC MENU OPERATIONS.”

MEMO

5 FUNCTION-SPECIFIC MENU OPERATIONS

5.1 AUX SWITCH SETTING : 「AUX SET」

Refer to the following flowchart to assign functions to switches provided on the product.



The functions of the AUX switches can be assigned to switches displayed in the AUX SET menu (switches indicated below) by using the same operation.

Switches to which functions are assigned
 Functions to be assigned

AUX1 ·AUX2 ·STBI·RET1·RET2
 NON, PSET1~3, ZLIMIT, FHL D, QZOOM, STBI
 RET1~4, MIC, WIPE, AF, P-P, VTR, MAC CTR

Note : The operation of optical stabilizer varies depending on the lens to be connected.

UA70x8.7BESM-T4x UA107x8.4BESM-T4x UA125x8BESM-Sxx UA125x8BESMP-Vxx HZK25-1000mmx	The optical stabilizer can be turned ON or OFF by operating the zoom rate demand unit regardless of the switch settings of the lens. When this product is turned ON, it is activated in the condition where the optical stabilizer is OFF.
Other lenses	When the optical stabilizer is set to OFF by the switch settings of the lens, the optical stabilizer cannot be turned ON or OFF by operating the zoom rate demand unit.

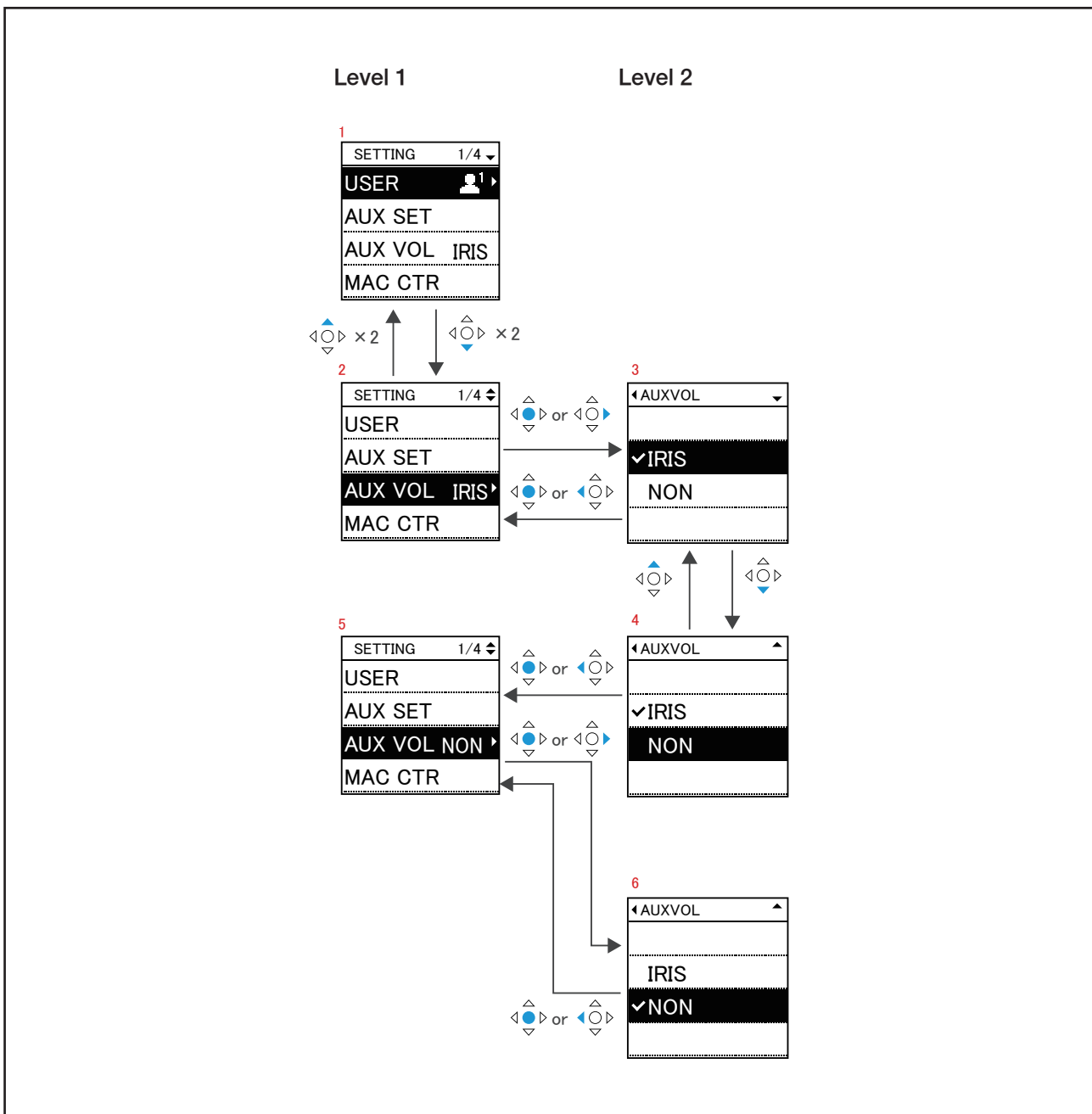
The response to the switch varies depending on the function assigned to each switch.

Name	Function name	Function	Operation
NON	No function	Status where no function is assigned.	None
PSET1~3	Preset 1 to 3	Operates as a preset switch.	Short Press : operation switch Long Press : Memory Operate the thumb ring to cancel presets.
ZLIMIT	Zoom Limit	Operates as a zoom limit switch.	Every time the switch is pressed, the function turns ON or OFF.
FHLD	F number hold	If the zoom lens is used at a position close to its wider aperture, this function prevents the phenomenon where the image becomes darker near the tele end.	Every time the switch is pressed, the function turns ON or OFF.
QZOOM	QuickZoom	Operates as a QuickZoom limit switch.	The zooming operation is performed at the highest speed as long as the switch is pressed down.
STBI	Optical stabilizer function control	Operates as the optical stabilizer ON/OFF switch.	The ON/OFF switch control is performed based on the ALT or MOM setting.
RET1~4	Return switch	Operates as the Return 1 to 4 switches.	The ON/OFF switch control is performed based on the ALT or MOM setting.
MIC	Intercom	Operates as the intercom (microphone communication) switch.	Microphone communication between the producer or engineer is performed based on the PD or ENG setting.
WIPE	Wiper control	Controls the wiper of a built-in wiper lens. (This product cannot operate the external wiper unit.)	Every time the switch is pressed, the wipe operation is performed once. When the switch is pressed and held down, the wipe operation is performed repeatedly.
AF	Autofocus	Controls the autofocus function.	The ON/OFF switch control is performed based on the ALT or MOM setting.
P-P (Push-Pull)	Push-Pull	Switches the operation method of the lens (Uniaxial/Servo control).	Every time the switch is pressed, the operation switches between Uniaxial operation or Servo operation.
VTR	VTR Switch	Operates as the VTR ON/OFF switch.	Every time the switch is pressed, the operation of VTR switches between recording start and stop.
MAC CTR	Macro switch	Operates as a macro ON/OFF switch.	Each press of the switch toggles macro operation between ON and OFF.

MEMO

5.2 AUX VOLUME SETTING : 「AUX VOL」

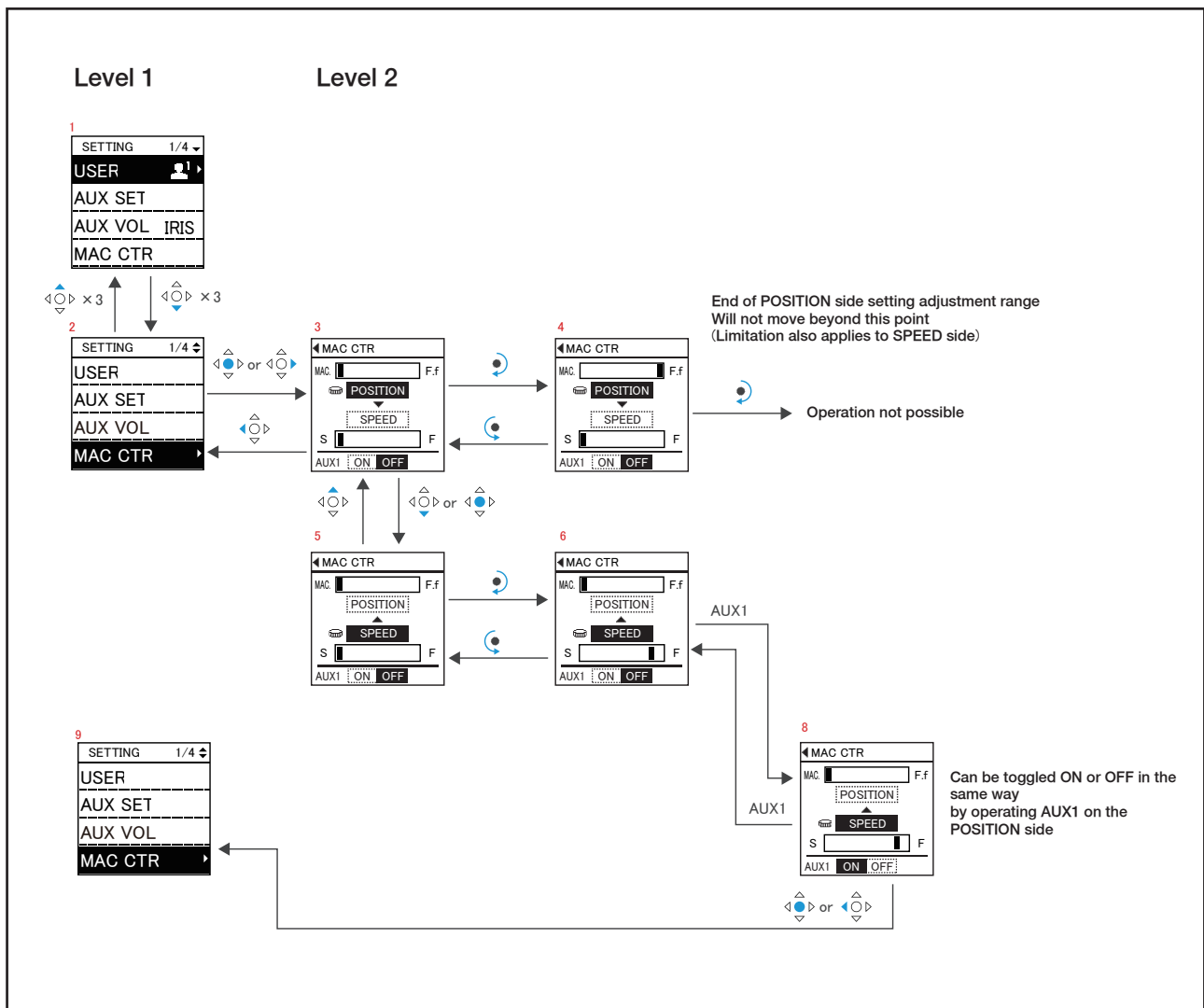
Proceed as follows to assign a function to the AUX volume control.



Name	Function name	Function	Operation
NON	No function	Status where no function is assigned.	None
IRIS	Iris operation	Enables iris operation.	Turn the AUX volume control clockwise to open the iris and turn it counterclockwise to close the iris.

5.3 MACRO CONTROL SETTINGS : 「MAC CTR」

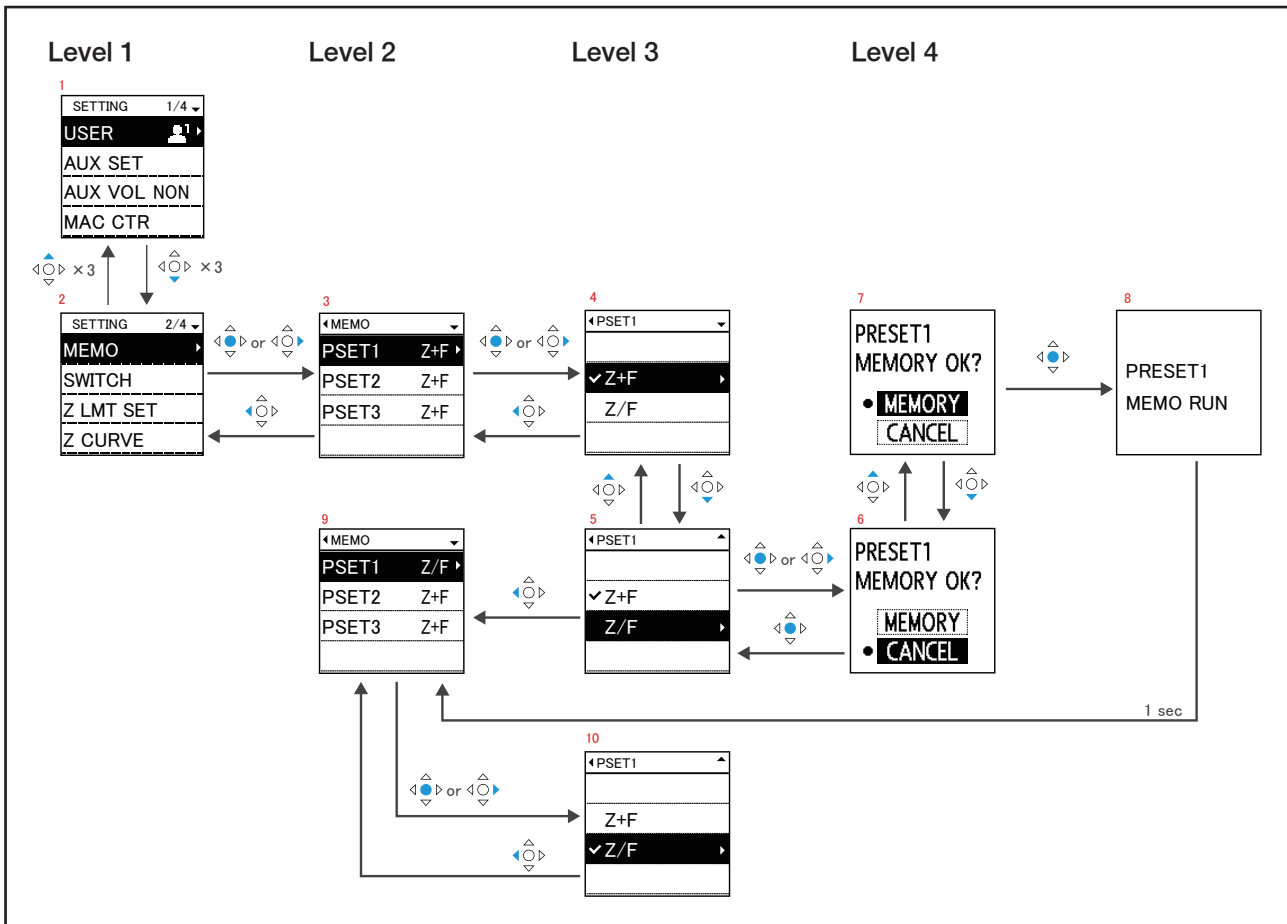
The AUX volume is used to adjust macro control settings.



- ① To specify the POSITION setting or SPEED setting, move the LCD operation lever up or down to select POSITION or SPEED, then rotate the AUX volume.
- ② The setting value is stored when selection is complete (when switching between POSITION and SPEED, or when changing menu levels).

5.4 SWITCH OPERATION SETTING : 「MEMO」

For the preset switches to which the functions of PSET1, PSET2, and PSET3 are assigned, this menu is used to set the mode of the preset operation to be activated by these switches, and also to perform the operation for storing the zoom preset positions in the memory.



Preset mode	Operation to be set
Z+F	Both the zoom and focus perform the preset operation simultaneously.
Z/F	Either the zoom or focus performs the preset operation independently.

Preset memory	Operation to be set
MEMORY	When the LCD operation lever is pressed and held in at the center to set the selected setting while “MEMORY” is displayed, the zoom and/or focus positions are stored in the memory as the preset positions. The indication on the monitor changes to “MEMO RUN” while the preset positions are stored in the memory. After the storing operation of the preset positions is completed, a higher menu level screen automatically reappears (after about 1 second).
CANCEL	When “CANCEL” is selected, a higher menu level screen reappears without storing the selected setting in the memory.

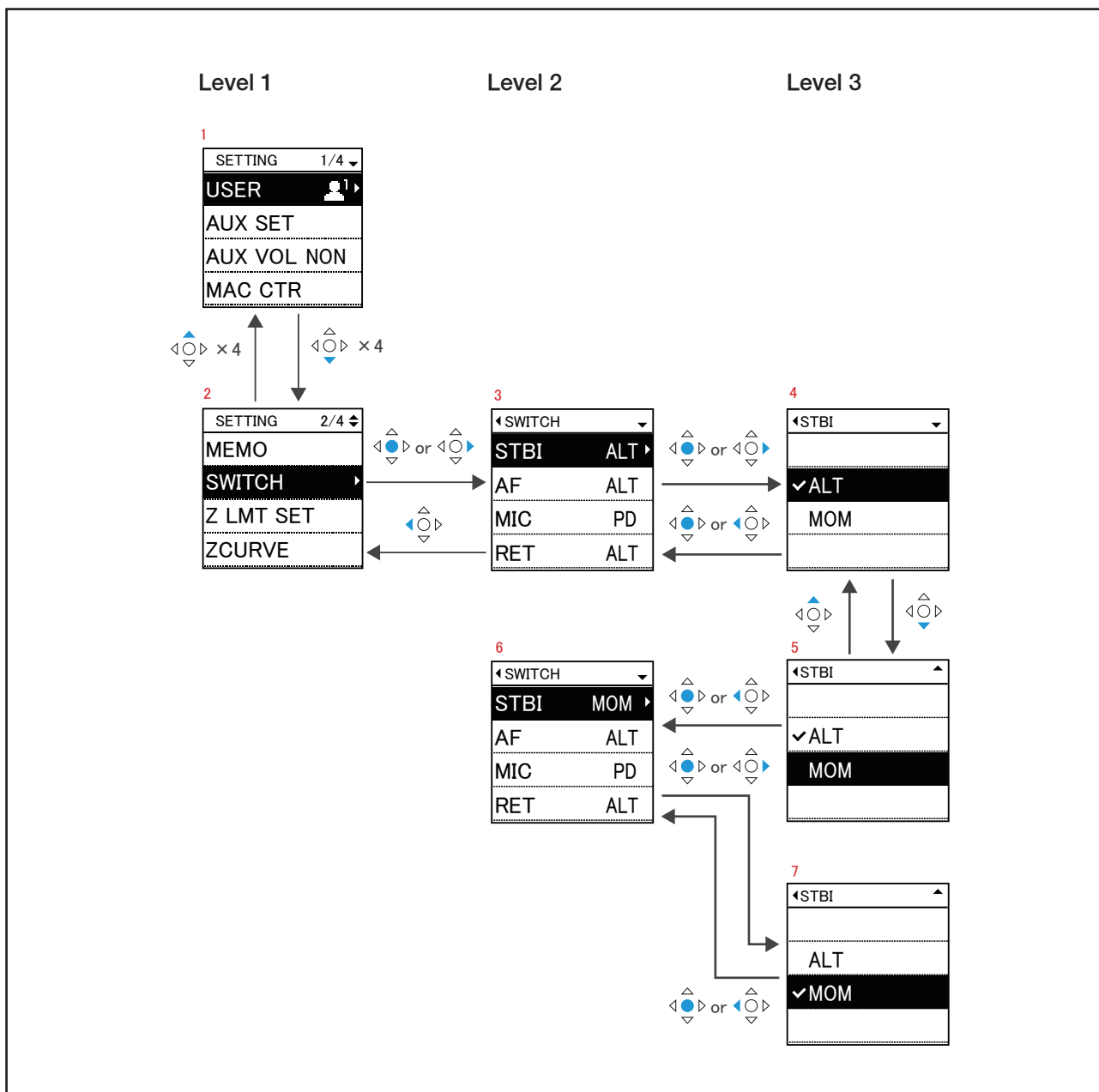
Note 1 : The preset positions are common use for each user (USER1 to USER9, and DEFAULT). User-specific settings cannot be made.

Note 2 : The operation of PRESET2 and PRESET3 varies depending on the lens to be connected.

UA27x6.5BESM-E4x UA27x6.5BESMP-J3x UA70x8.7BESM-T4x UA107x8.4BESM-T4x UA125x8BESM-Sxx UA125x8BESMP-Vxx HZK25-1000mmx	The functions of PRESET2 and PRESET3 can be operated.
Other lenses	The operation of PRESET2 and PRESET3 is not supported.

5.5 SWITCH OPERATION SETTING : 「SWITCH」

Refer to the following flowchart to set the operations of the switches to which the functions of STABI, AF, MIC, and RET are assigned.



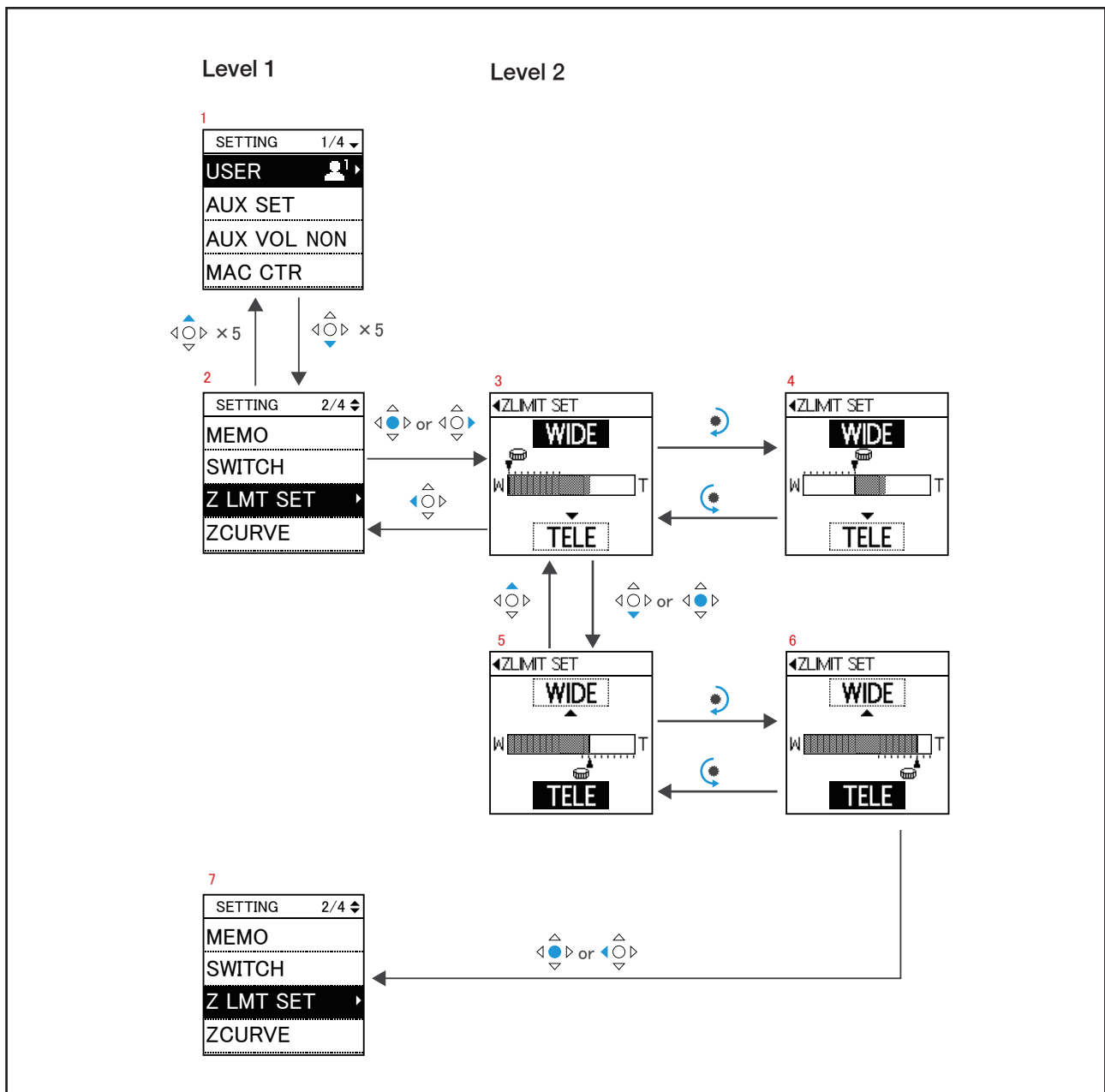
All the functions displayed in the SWITCH menu (indicated below) are set to perform the same operation when the same function is assigned to multiple switches.

•STABI •AF •MIC•RET

Target function of switch	Operation to be set
STABI •AF •MIC•RET1~RET4	ALT, MOM
MIC	PD(MOM), ENG(ALT)

5.6 ZOOM LIMIT SETTING : 「Z LMT SET」

For the zoom limit setting, AUX volume is used for making adjustments.



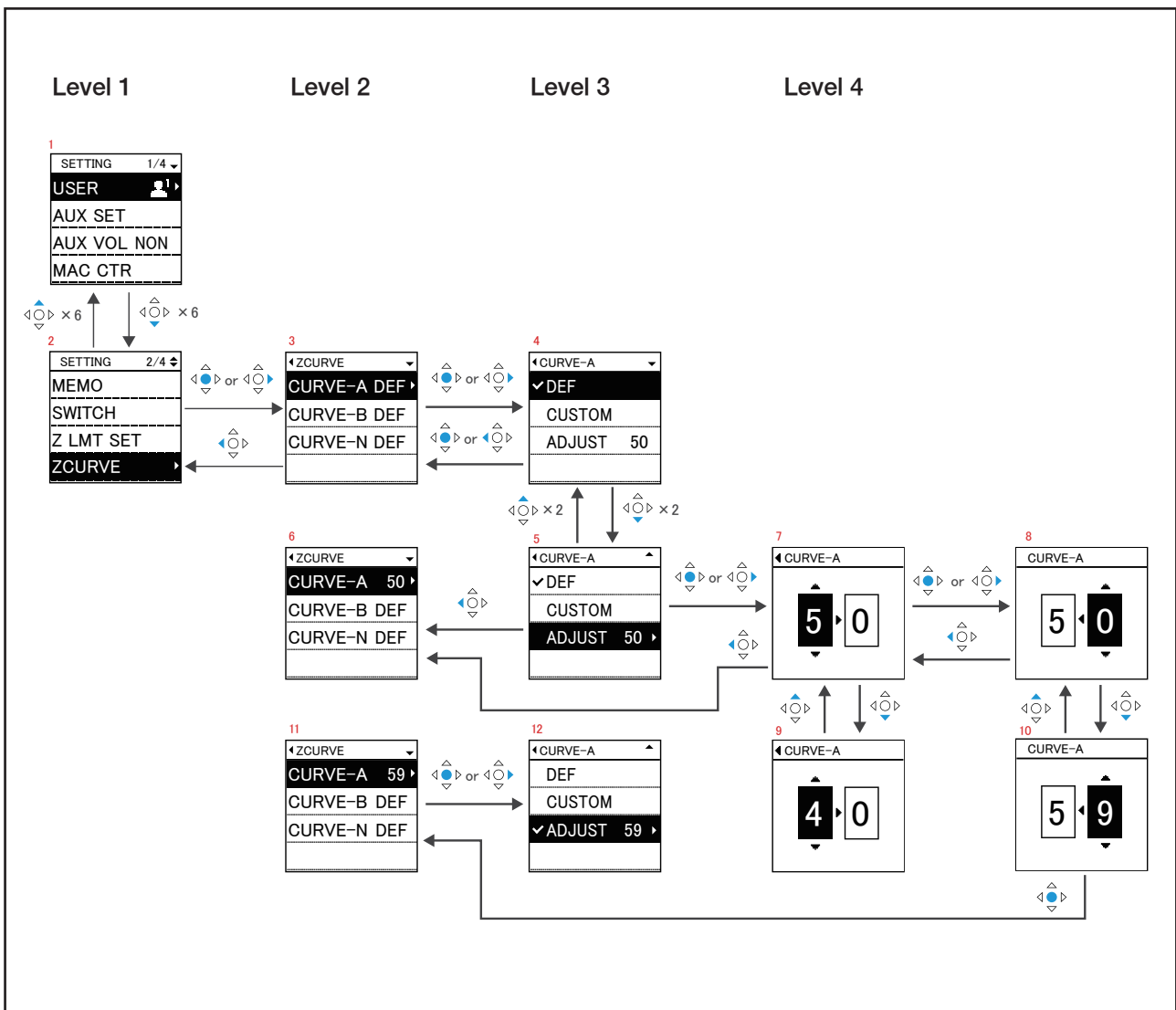
① To set the zoom operation limit position at the tele-end side and that at the wide-end side, press the LCD operation lever up or down to select “TELE” or “WIDE,” and then turn the AUX volume to set the positions.

② The setting is automatically stored as soon as the selection is completed (when the setting is changed from “TELE” to “WIDE” or vice versa, or when another menu level screen is opened).

Note : Please keep in mind that the zoom limit setting cannot set a position close to the center of the zoom range.

5.7 ZOOM CURVE SETTING : 「ZCURVE」

The zoom curve setting menu enables setting the dynamic operating characteristics from the starting to stopping of the zoom operation from three types of the change characteristics curves, namely CURVE-A, CURVE-B, and CURVE-N.

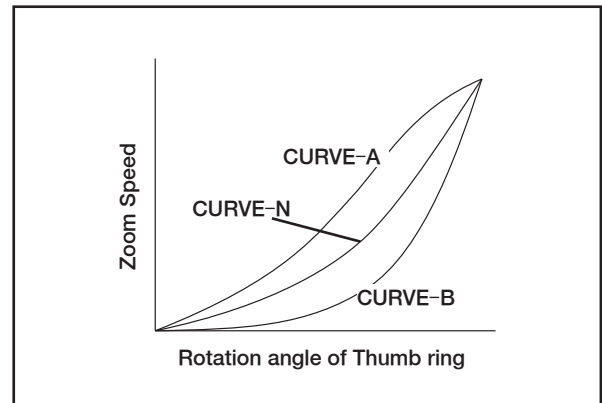
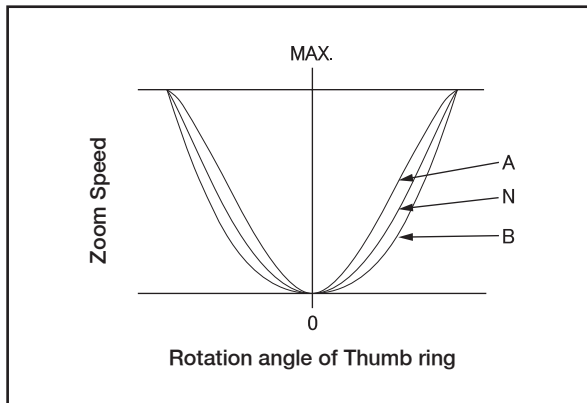


In the ZCURVE menu, select the operating characteristics of the zoom that responds to the operation of thumb ring from three types of characteristics, namely CURVE-A, CURVE-B, and CURVE-N. Furthermore, each characteristic can be independently adjusted by selecting the pattern set in the lens.

5.7.1 ZCURVE setting

Select ZCURVE from the following three types of characteristics. The table below indicates the characteristics of each curve.

CURVE-A	Performs the zoom operation in the manner where the start of zooming close to the center of the thumb ring is faster, and acceleration is controlled when the ring is turned for a significant amount.
CURVE-B	Performs the zoom operation in the manner where the start of zooming close to the center of the thumb ring is slower and the acceleration increases when the ring is turned for a significant amount.
CURVE-N	Implements the intermediate characteristics between CURVE-A and CURVE-B and performs standard acceleration.



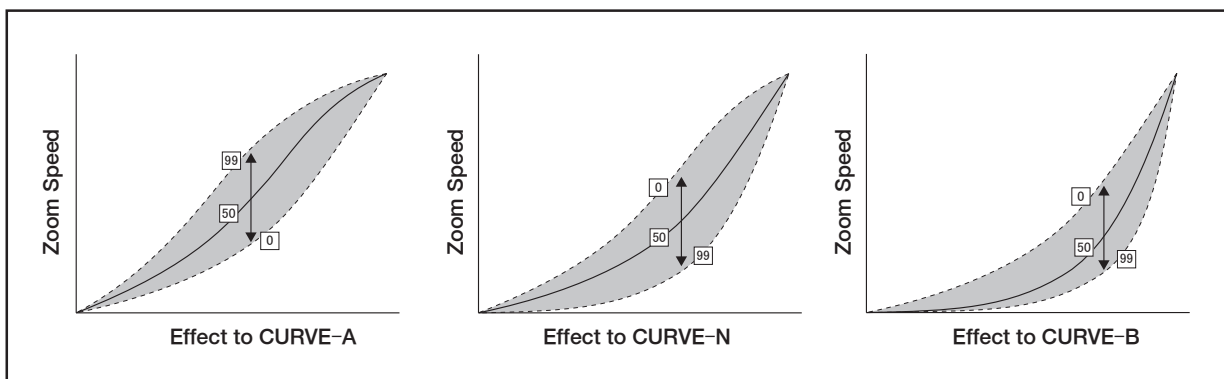
5.7.2 ZCURVE adjustment setting

The ZCURVE adjustment setting enables adjustment of the rotation angle of the thumb ring and the characteristics of zooming speed for CURVE-A, CURVE-B, and CURVE-N independently.

The actual characteristic setting is stored in the lens. The zoom rate demand unit makes adjustments by selecting the characteristic setting stored in the lens.

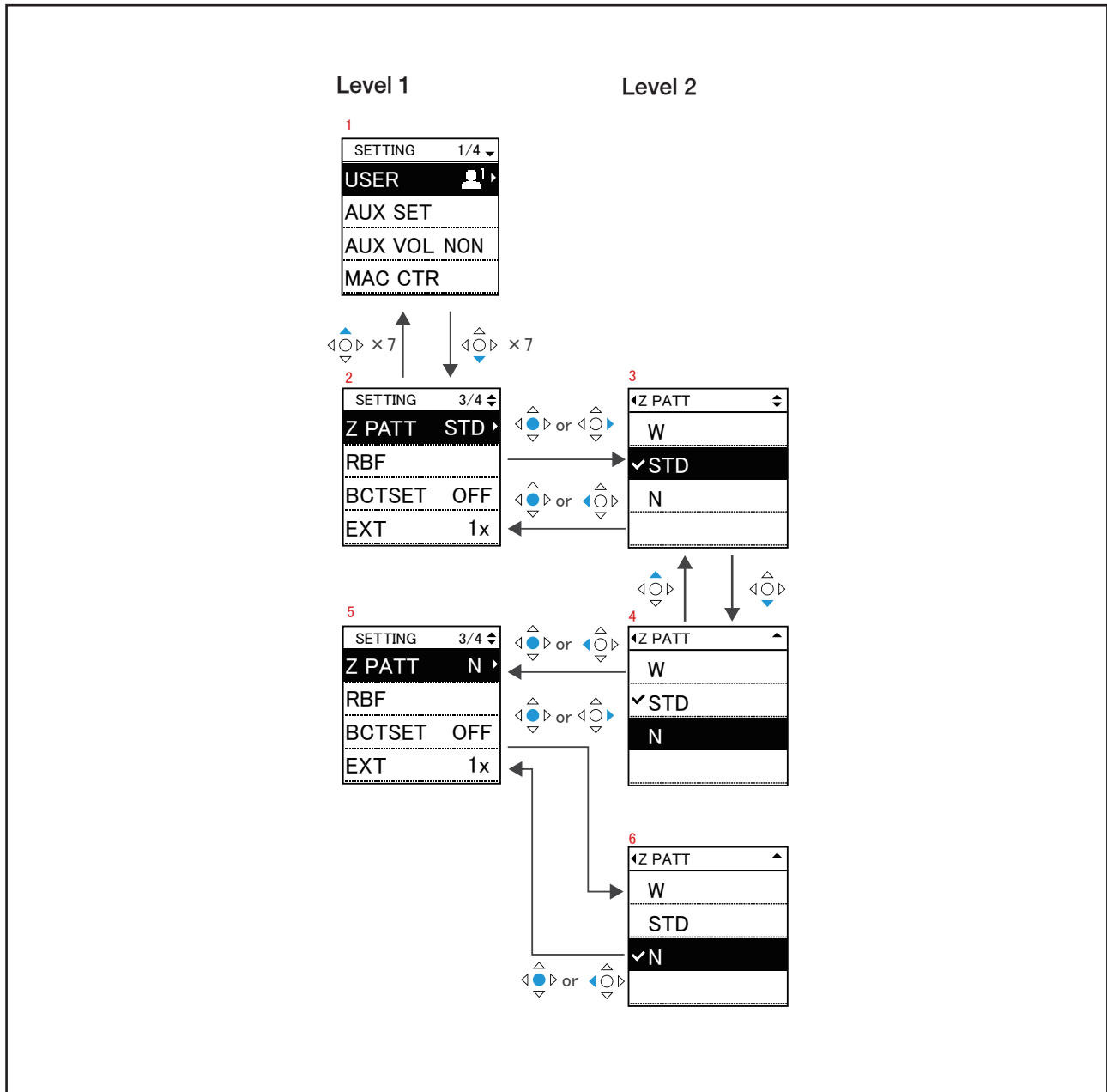
DEFAULT	Standard characteristic curve of the factory default settings.
CUSTOM	Applies the user-defined characteristic curve by downloading it to the lens.
ADJUST	The characteristics of zoom speed vs the rotational angle of the thumb ring can be changed by increasing or decreasing the setting value to around "50" (equivalent to the default characteristic value).

For details about the CUSTOM data and ADJUST data installed on the lens, contact your Fujifilm dealer.



5.8 THUMB RING DEAD ZONE SETTING : 「ZPATT」

This menu is used for setting the zone where zoom does not operate even when the thumb ring is turned. Inadvertent operation mistakes and operational errors are prevented by setting the dead zone.

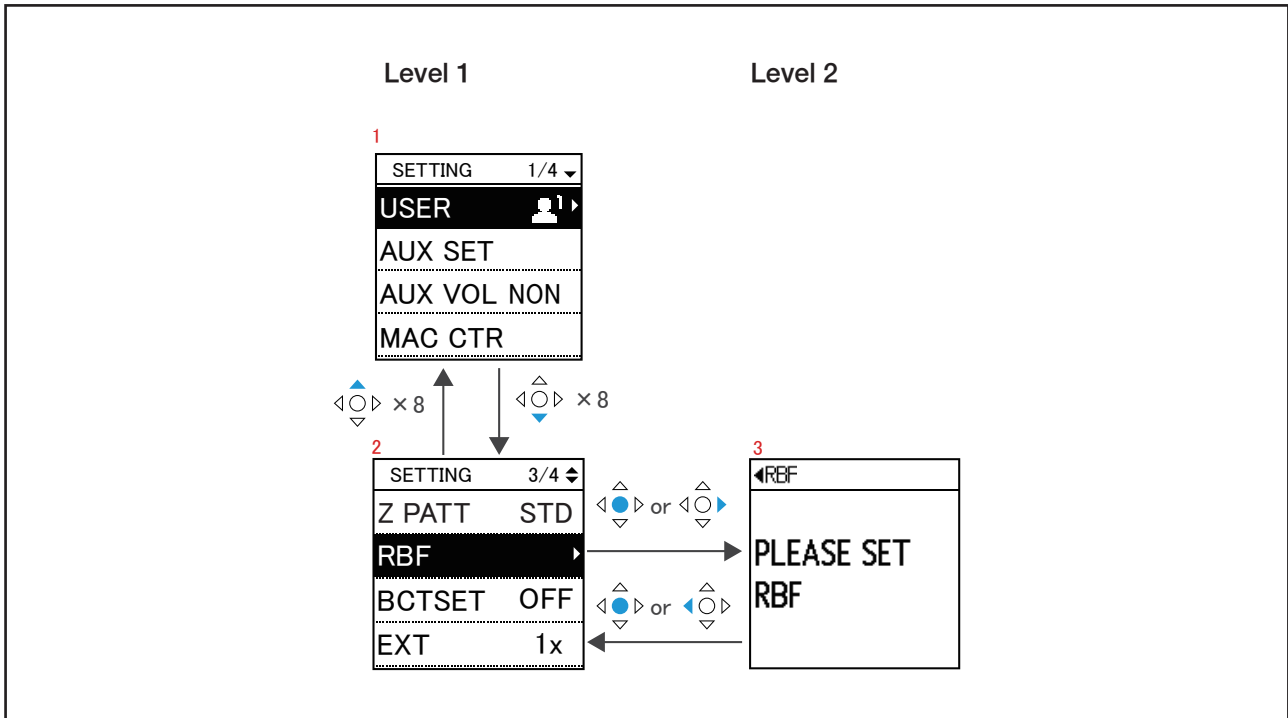


Indication on the menu	Description
W	Sets the dead zone to wide width.
STD	Sets the dead zone to standard width.
N	Sets the dead zone to narrow width.

Note : The width of the dead zone is set to “N” by default.

5.9 FLANGE FOCAL LENGTH ADJUSTMENT : 「RBF」

The AUX volume is used for setting the flange focal length of a lens.



After selecting “RBF,” when the LCD operation lever is pressed and held in at the center, the RBF screen appears. Turn the AUX volume to adjust the flange focal length.

While the flange focal length is adjusted using the AUX volume, the message “PLEASE SET RBF” is displayed on the LCD monitor.

For the actual flange focal length adjustment procedure, refer to the lens Operation Manual.

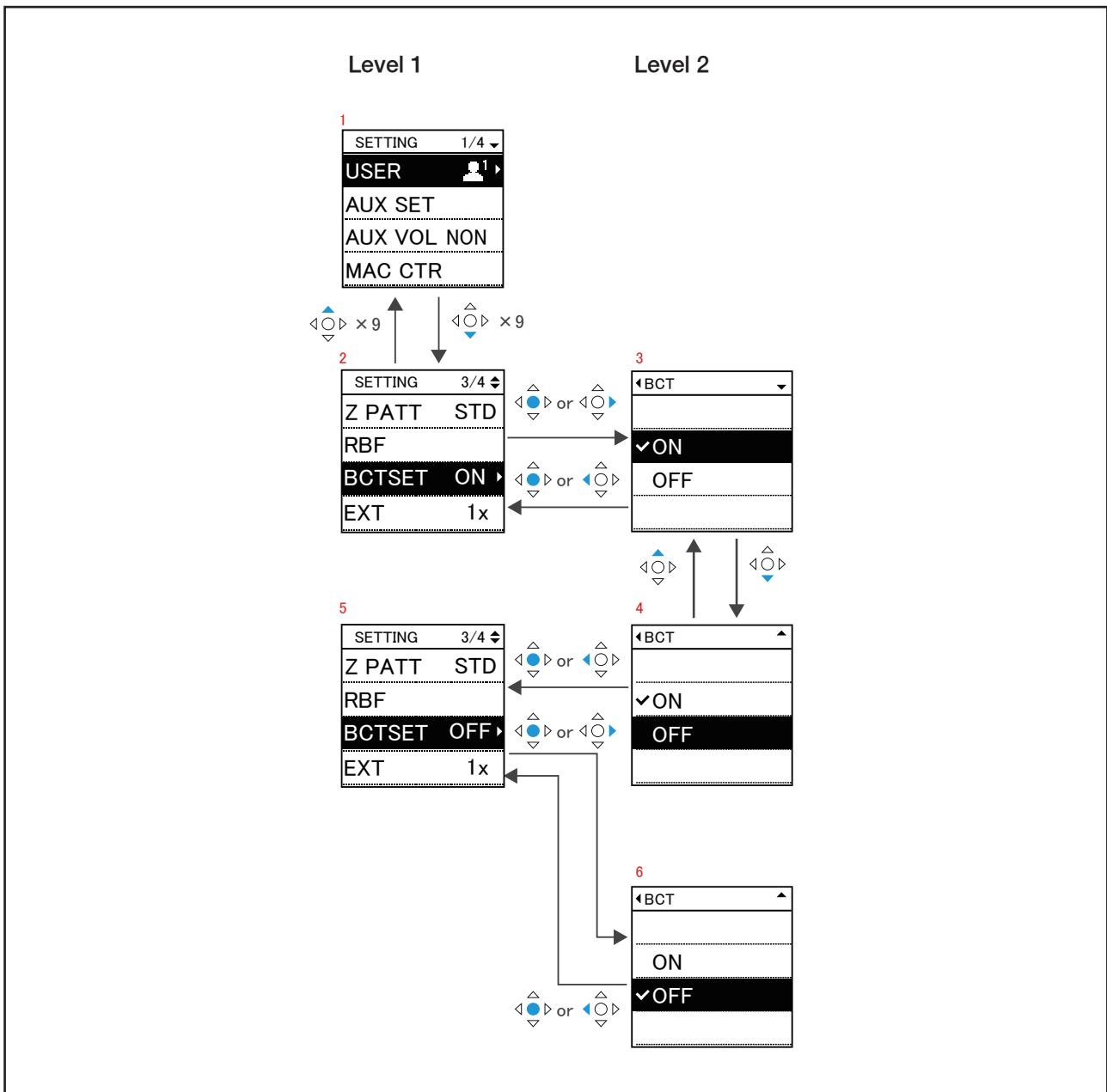
Basically, the adjustment procedure must follow the instructions given in the manual for the lens. However, interpret text (1) “Turn the F.f adjusting knob” in the lens Operation Manual as “Turn the AUX volume.” Also, interpret text (2) “Tighten the F.f locking knob and then lock the F.f adjusting knob.” in the lens Operation Manual as “Press the LCD operation lever left or short press the lever at the center to exit the adjustment.”

Note : If the lens connected to the product does not have support for the Remote Back Focus (RBF) function (the function for adjusting the flange focal length of a lens using an accessory), this menu item cannot be selected.

MEMO

5.10 BREATHING COMPENSATION TECHNOLOGY (BCT) SETTING : 「BCTSET」

This menu is used for setting ON or OFF the Breathing Compensation Technology (BCT), which compensates for the phenomenon where the field angle changes while focusing.

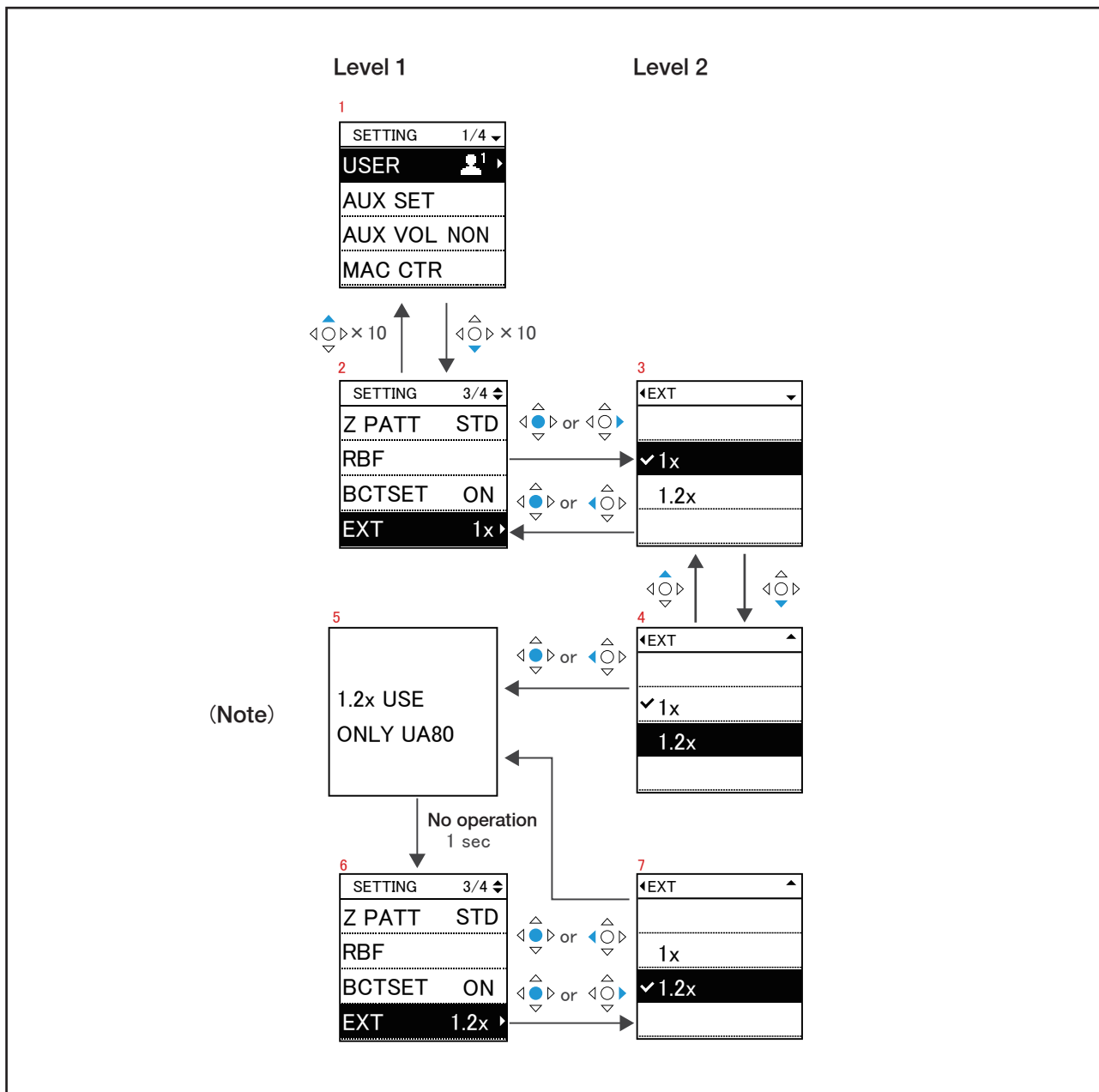


Note : The lens side BCT ON/OFF setting has higher priority over the setting on this product.

MEMO

5.11 EXTENDER SETTING : 「EXT」

This menu is used for registering the basic magnification of the extender mounted on a lens in order to link with the lens extender.

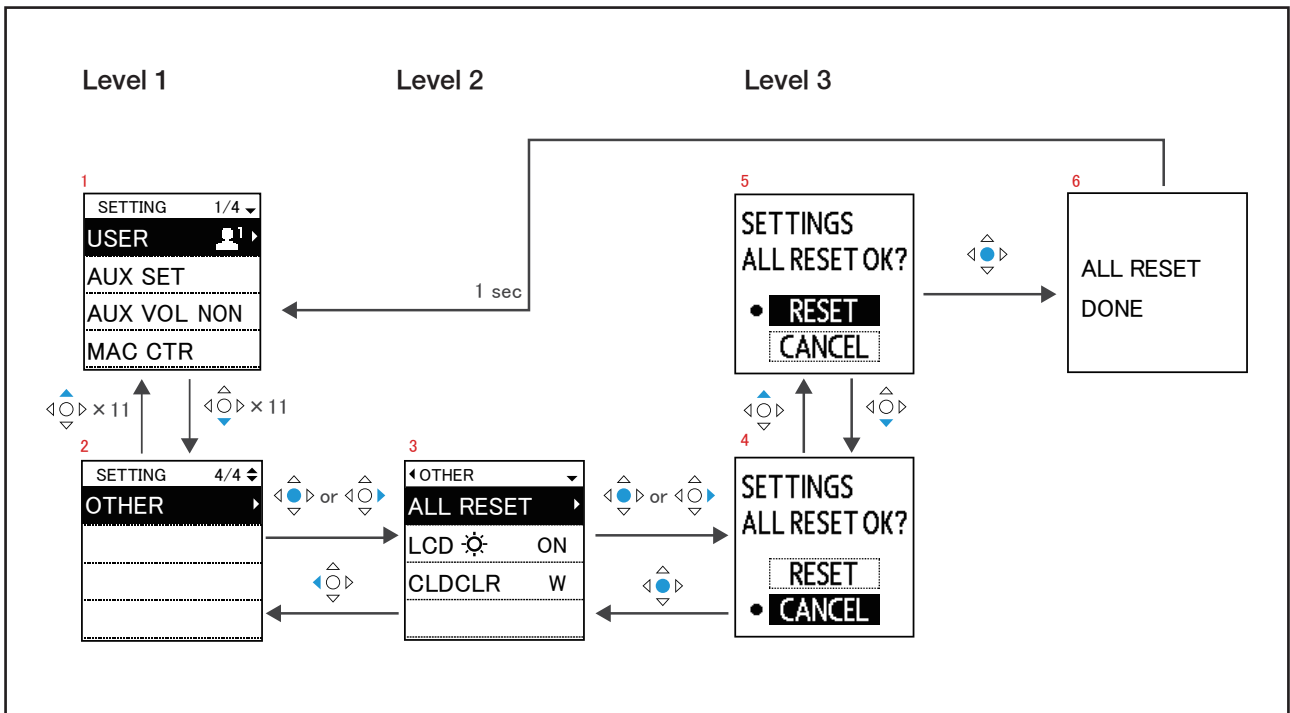


Note : The setting of the magnification “1.2x” is valid for the UA80 series lenses only. Lenses other than UA80 series are not mounted with an extender that provides a magnification of “1.2x.” Therefore, even if “1.2x” is selected, the extender that operates with the lens actually achieves a magnification of “1x.”

6 SYSTEM OPERATION

6.1 INITIALIZATION OPERATION

When the ALL RESET submenu under the OTHER menu is activated, all settings stored in the memory are restored to default settings.

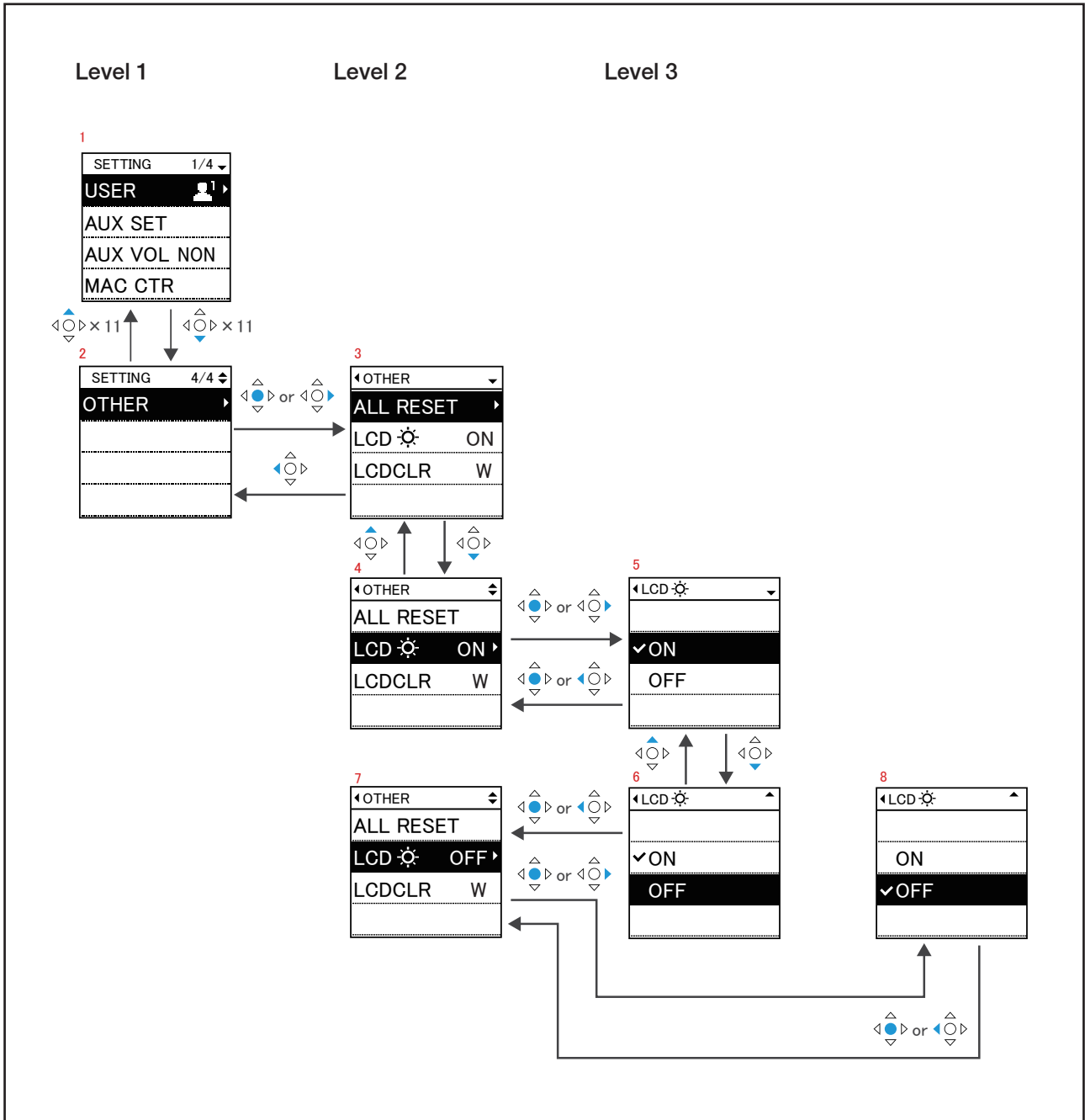


Note : The contents of the USER settings, which are stored for “USER1 ” to “USER9, ” are also restored to default settings.

MEMO

6.2 LCD BACKLIGHT SETTING

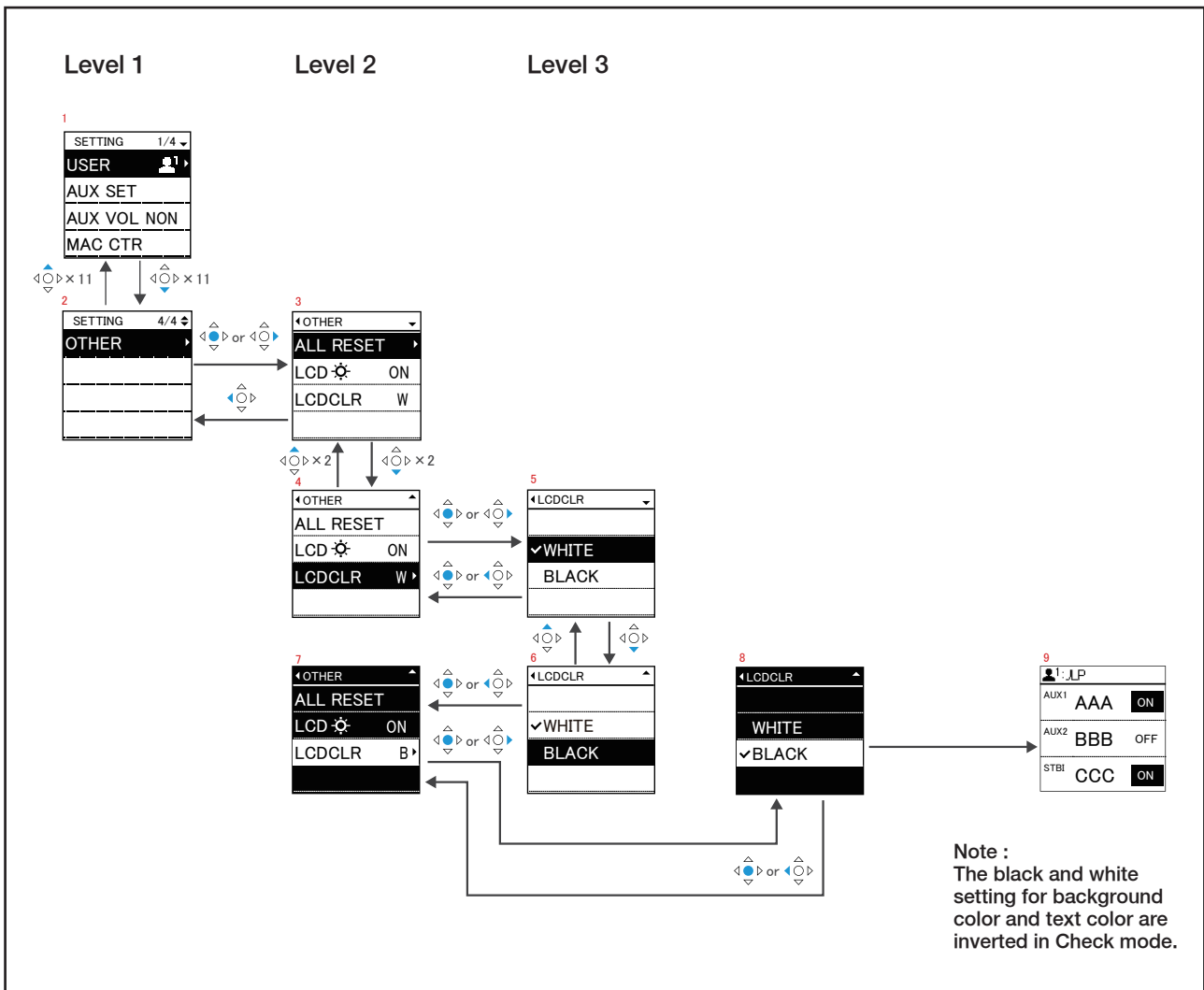
The LCD submenu under the OTHER menu is used for setting the LCD backlight ON or OFF when the system is activated.



Note : The LCD backlight ON/OFF setting can be also operated by short pressing the LCD operation lever at the center in Check mode.

6.3 LCD BACKGROUND COLOR SETTING

The LCDCLR submenu under the OTHER menu is used for selecting the display colors of the LCD monitor. The display color set in this menu is applied to all menus in subsequent operations.



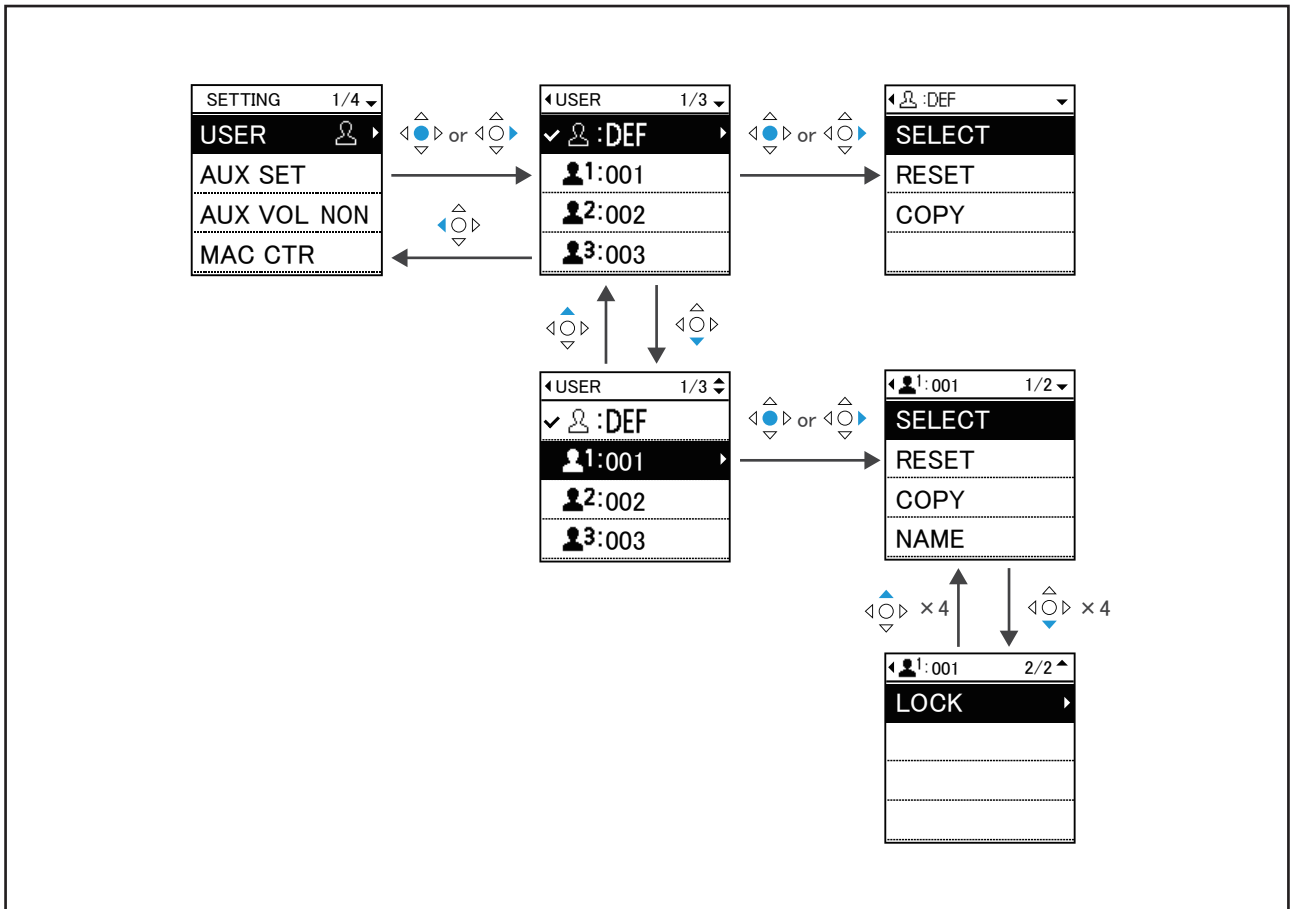
Note : The LCDCLR submenu is used for setting the background color of the Setting mode screens. Please keep in mind that the black and white setting for background color and text color are inverted in Check mode.

	LCDCLR setting	Background color	Text color
Setting mode	WHITE	White	Black
Check mode	BLACK	Black	White

7 USER DATA SETTING AND RECALLING USER DATA

7.1 OPERATION OF USER SETTING MENUS

Up to nine patterns of USER settings can be stored using the USER menu.



The USER settings consist of 10 patterns, including DEFAULT and USER1 to USER9, and the settings function as indicated in the table below.

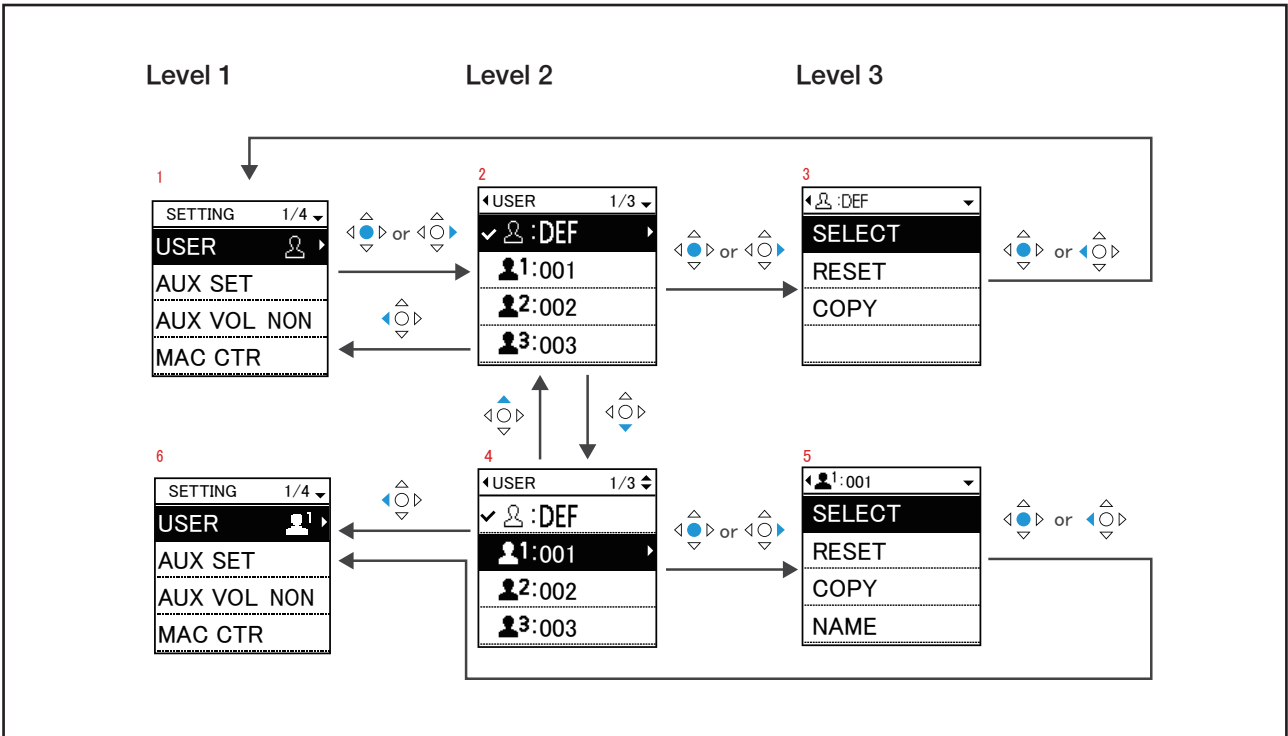
DEFAULT	Default user setting. This setting cannot be used to set a username and the setting cannot be locked. When the power is turned OFF, the user setting is restored to default settings.
USER1~9	Each user setting is retained in the memory. The stored user settings are retained even after the power is turned OFF.

The names set for USER1 to USER9 are set to "001" to "009" by default settings.

MEMO

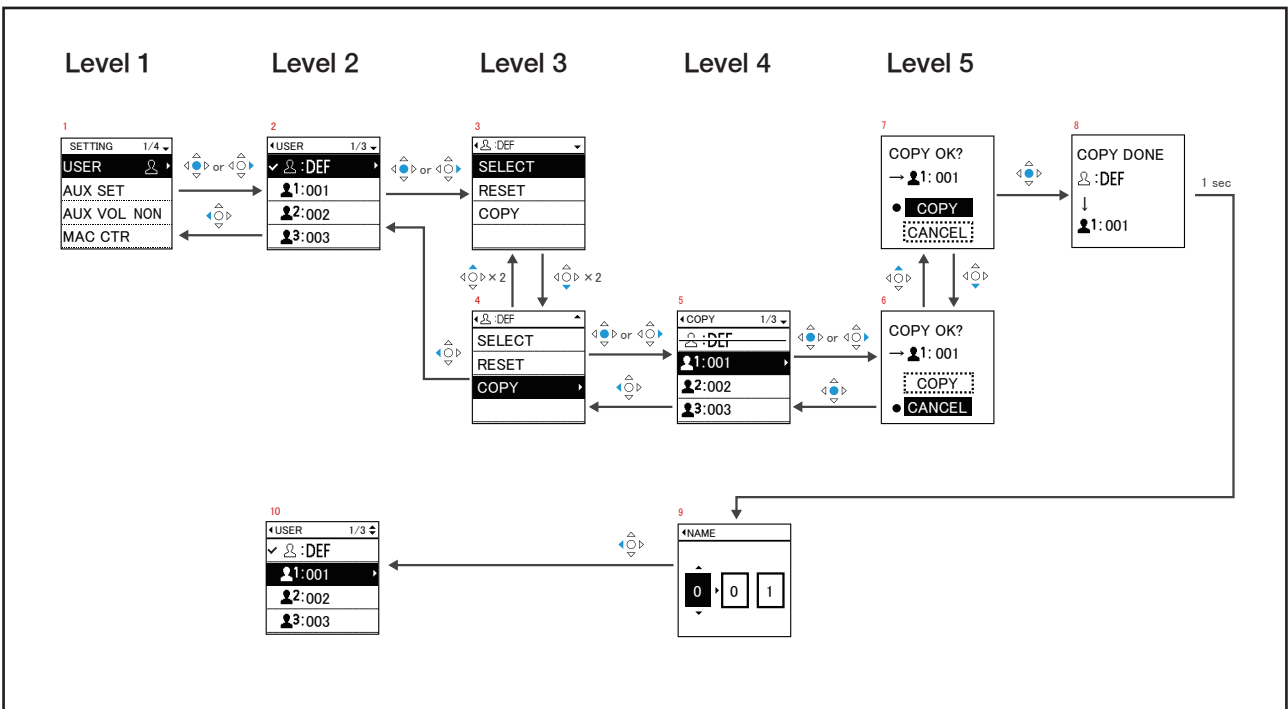
7.2 SELECTING A USER

After selecting the USER menu, select the SELECT submenu to set a user. Once the user is selected using SELECT, the settings to be made in subsequent operations are stored in the memory as settings for the selected user. as the copy destination in the previous operation is displayed.



7.3 COPYING THE USER SETTINGS

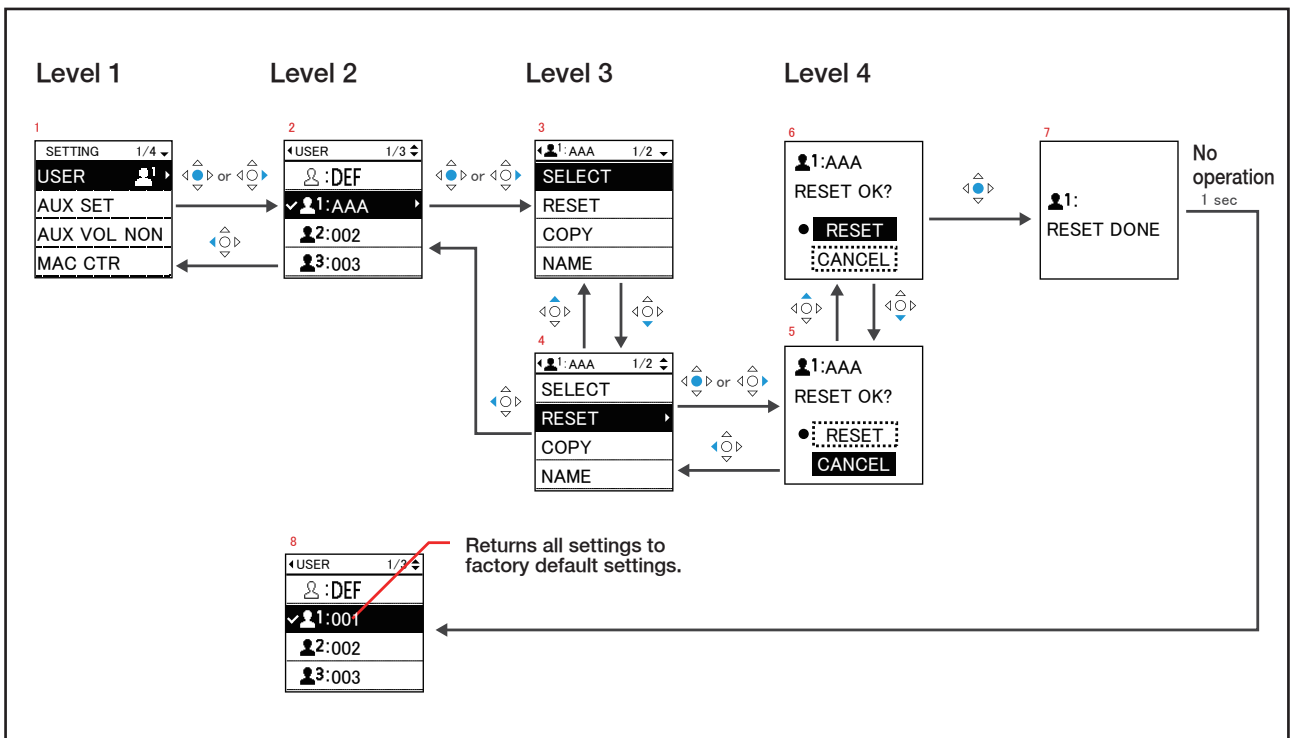
The setting data of the current user can be copied to other users. Select the COPY submenu under the USER menu and then set a username for the copying destination. The setting data of the destination user is overwritten with the copied data.



Note : After copying is completed, the USER selection screen reappears in the condition where the user selected as the copy destination in the previous operation is displayed.

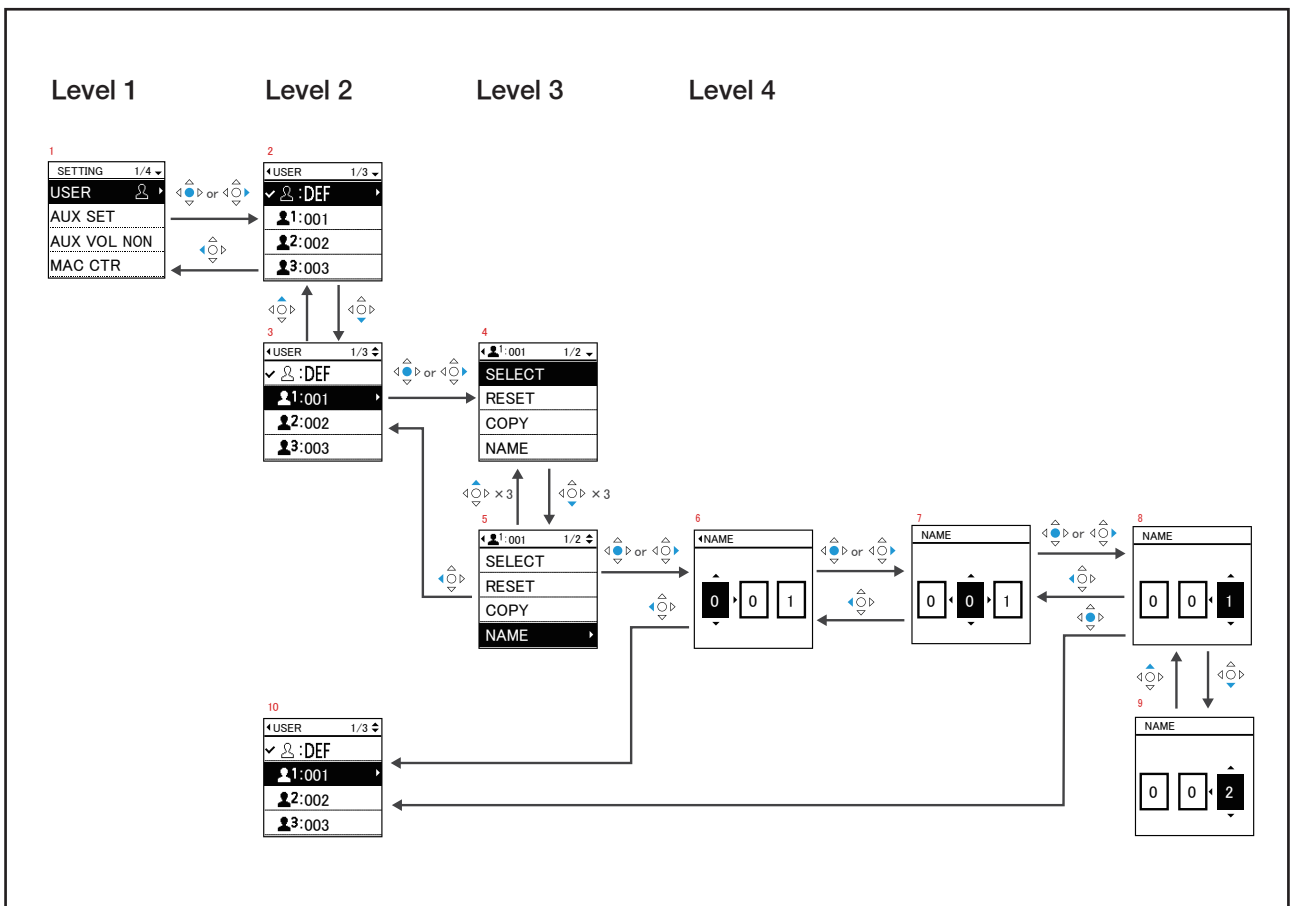
7.4 RESETTING USER SETTINGS

After selecting the USER menu, select the RESET submenu to restore the default user settings.



7.5 SETTING A USERNAME

USER names for USER1 to USER9 can be set using 3-digit numbers and letters. The username is set using the NAME submenu of the selected USER.

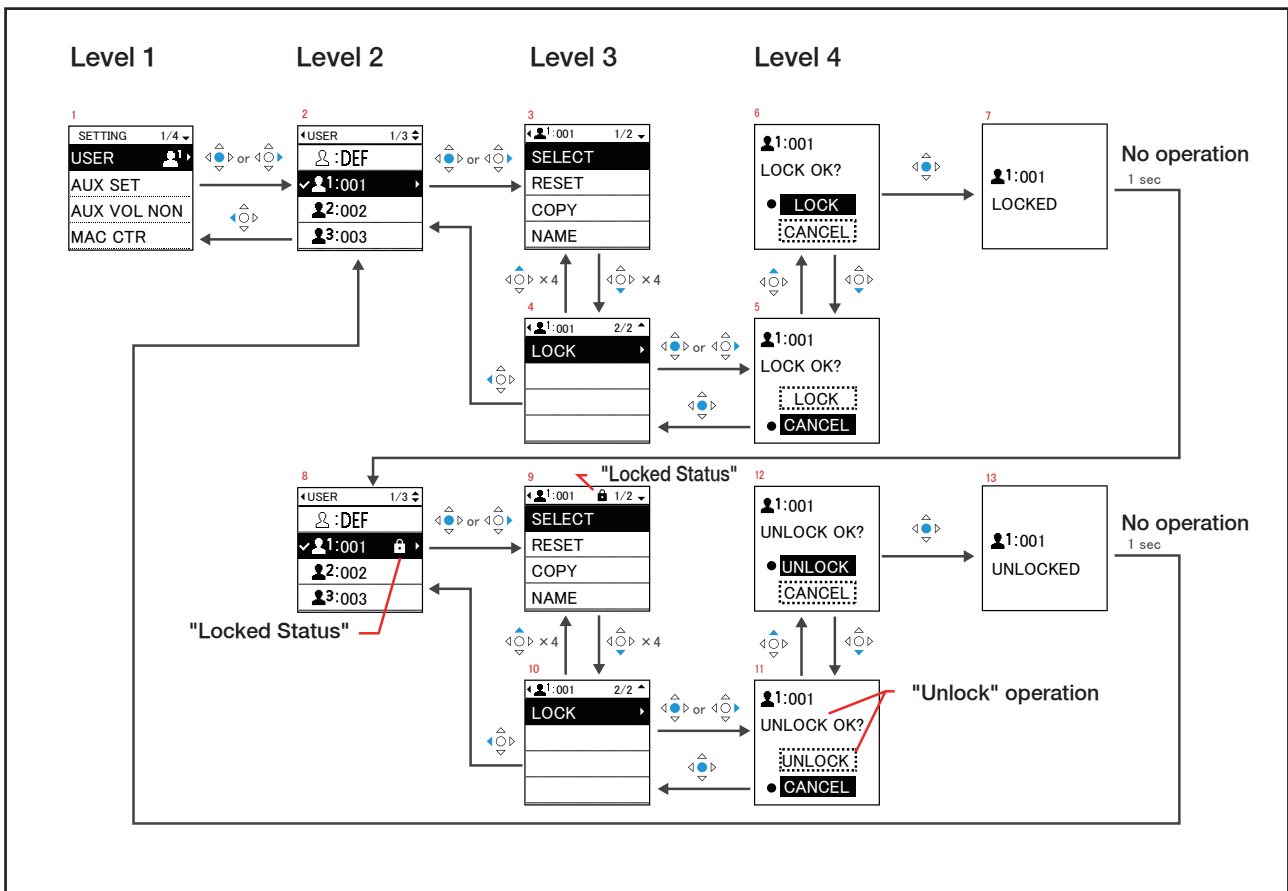


7.6 LOCKING THE USER SETTINGS

The USER settings for each USER can be locked to prevent the settings from being changed unintentionally.

7.6.1 Locking the user settings

Refer to the following flowchart to lock the user settings.



The lock icon is displayed with a username for users with locked settings to indicate that the settings of that user are locked.

Furthermore, if an attempt to change the settings of the locked user is made, the message "LOCKED" appears and the changes are canceled.

MEMO

8 CONFLICTING WITH THE LENS SETTINGS

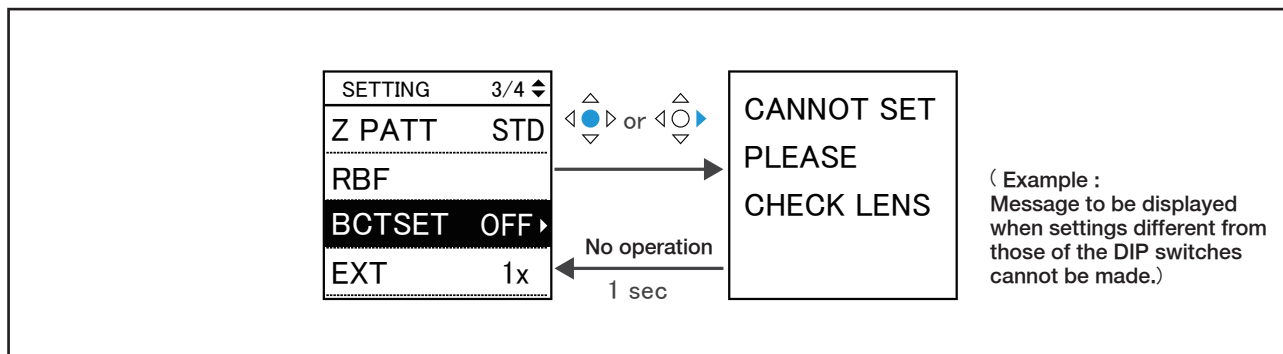
When there is a conflict between the settings of the lens and those of this product, the settings of the lens have higher priority than the settings of this product and the settings that conflict with those of the lens cannot be set on this product.

(The same settings as those of the lens can be set on this product.)

If there is a conflict, a message indicating that the settings set on this product will be ignored is displayed on the LCD monitor of this product.

8.1 WHEN THE DIP SWITCH SETTINGS OF THE LENS HAVE HIGHER PRIORITY

The message “CANNOT SET PLEASE CHECK LENS” appears and the setting is disabled.

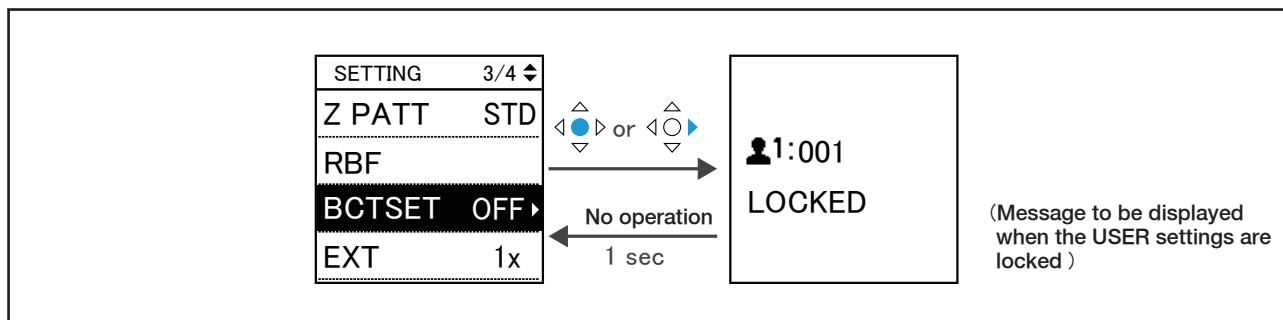


8.2 WHEN THERE IS A CONFLICT BETWEEN THE SETTINGS OF A LOCKED USER AND THE SETTINGS OF THE LENS

The lens can be operated in a condition where the settings of the lens have higher priority.

In such cases, the settings of the lens are displayed on the LCD monitor of this product for items that conflict with the lens settings.

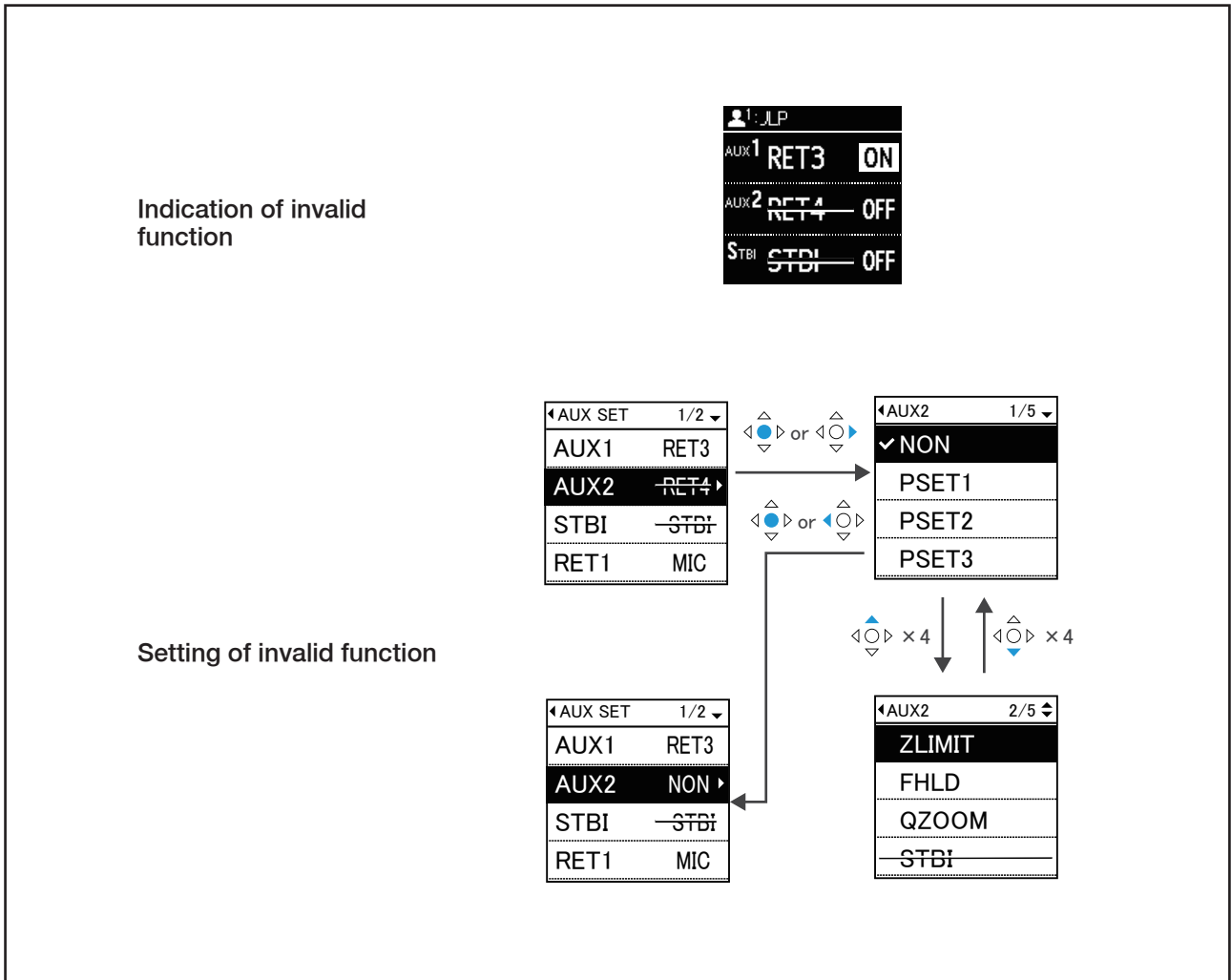
On the screen of the menu level, which is used for changing the setting of an item, the message “USER LOCKED” appears and the transition to the screen for changing the setting is disabled.



MEMO

8.3 WHEN THE FUNCTION SET IS NOT PROVIDED ON THE LENS

If a function that can be set on this product is not provided on a lens, a strikethrough (horizontal line) is superimposed on the menu of the function not provided, and “NON” (no assigned function) will automatically be selected.



MEMO

FUJIFILM

富士フイルム株式会社

〒107-0052 東京都港区赤坂 9-7-3
<http://fujifilm.jp/>

FUJIFILM Corporation

7-3, Akasaka 9-Chome, Minato-ku, Tokyo 107-0052, Japan
<http://www.fujifilm.com/>

富士胶片株式会社

107-0052 日本東京都港区赤坂 9-7-3
<http://www.fujifilm.com.cn/>