

Ceiling Mount FPM-KZ100S

Instruction manual

Thank you for purchasing the ceiling mount [FPM-KZ100S].
Before use, please read this "Instruction Manual" carefully and use the product correctly.
After reading, please keep it carefully.

To our customers

The installation of this product requires careful work.
Please be sure to request a retailer or contractor to install the product safely and securely.

To retailers and contractors

Special skills are required to install the ceiling mount. Please read the instruction manual carefully before installation.
We are not responsible for accidents or damage caused by improper installation or handling.

When assembling the ceiling mount, make sure to tighten bolts, nuts, etc. completely. Also, be sure to attach the fall prevention wire in two places.

The following projectors are compatible with this product.

Fujifilm projectors
FUJIFILM FP-Z8000/Z6000 Series, FP-ZUH6000 Series

August 2025 Revised version

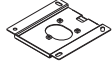
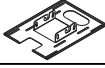
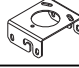
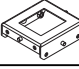









index

List of included Contents	3
Safety instructions	4
How to install	
Attach ceiling adaptor to the ceiling	5
Attach projector adaptor to the projector	6-7
Hang the projector from ceiling adaptor	8
Attach drop preventing wire	9
Adjust the installation angle	10-11
Specifications	12

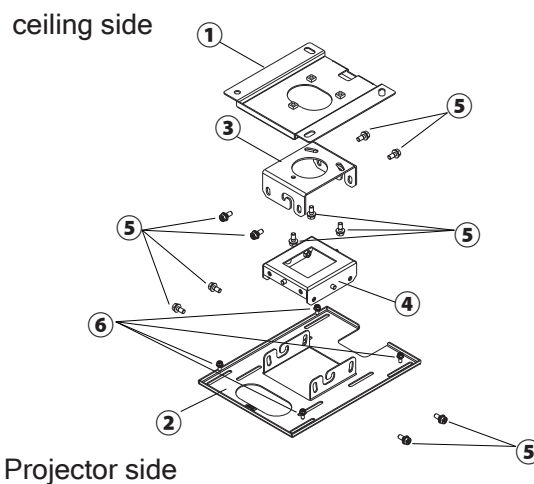
List of included Contents

Introduction

- Check that product is correct, and that all accessories are included.
- Please prepare a Phillips screwdriver for installation.

No.	Part name	Appearance	PCS	Remarks
①	Ceiling adaptor		1	Ceiling mount body
②	Projector adaptor		1	
③	Rotation adjuster		1	
④	Horizontal adjuster		1	
⑤	M8X20 cross recessed hexagon head bolt		11	for ceiling mount assembly
⑥	M6X18 cross recessed hexagon head bolt, washer		4	for assembling with projector
⑦	M8 eyebolt		2	drop prevention
⑧	M8 Plastic washer		2	
⑨	M8 spring washer		2	
⑩	Drop preventing wire (L=260)		2	
⑪	Drop preventing wire (L=560)		2	
⑫	Ring catcher		1	
⑬	Double ended spanner (13mm,10mm)		1	for horizontal angle adjustment
⑭	Instruction manual (This document)		1	

•Overall structure



Safety Instructions

We will explain the precautions that must be followed to prevent harm to users and others, as well as physical damage.

The degree of harm or physical damage that may occur if the instructions are ignored and the product is used incorrectly is classified in the following table and explained.



Warning

Indicates content that may result in death or serious injury.



Caution

Indicates content that may cause injury to people or damage to property.

The types of information you're wished to follow are categorized and explained using the following symbols.



Indicates content that may result in death or serious injury.



Indicates content that may cause injury to people or damage to property.



Indicates content that may cause injury to people or damage to property.

Warning



Prohibited

Installation by non-specialized contractors may result in improper installation, causing the product to fall and result in injury.



Please have two or more people install and remove the projector.
Failure to do so may result in the projector falling, causing injury or damage to the projector.



Prohibited

Do not install on ceilings that cannot withstand the weight.
The ceiling must be able to withstand at least four times the weight of the projector.
If the ceiling is not strong enough, reinforce it before installing the hanging bracket.

Caution



Prohibited

The FPM-KZ100S ceiling mount is designed for use with Fujifilm FP-Z8000/Z6000 series and FP-ZUH6000 series projectors for ceiling suspension.
Do not use this product for mounting any other projectors.
Failure to comply with this specification may result in the projector falling, causing injury or damage to the equipment.



Prohibited

Do not install in places with high humidity or dust, or in places exposed to oil fumes or steam, or outdoors. Also, do not install the projector directly above heating appliances.
Doing so may damage the projector or cause fire or electric shock.



Follow the assembly instructions and securely fasten all screws in the specified locations. Do not use screws with damaged threads or rusty screws.
Failure to follow the instructions may result in accidental damage such as breakage or falling of projector.

How to install

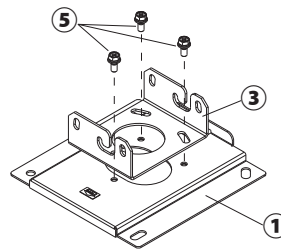
Before installation, check the height, width, and building structure of the installation location, and then decide where to install the projector.

Please refer to the projector manual or projection simulator to decide the distance from the projector to the screen.

Attach ceiling adaptor to the ceiling

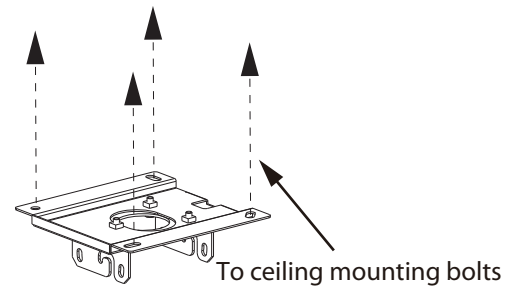
Secure the ③Rotation adjuster to the ①Ceiling adaptor with three ⑤M8×20 cross recessed hexagon head bolts.

Do not overtighten, as the rotation angle will be adjusted later.



Secure the ③Rotation adjuster to the ①Ceiling adaptor with three ⑤M8×20 cross recessed hexagon head bolts.

Do not overtighten, as the rotation angle will be adjusted later.



⚠ Warning

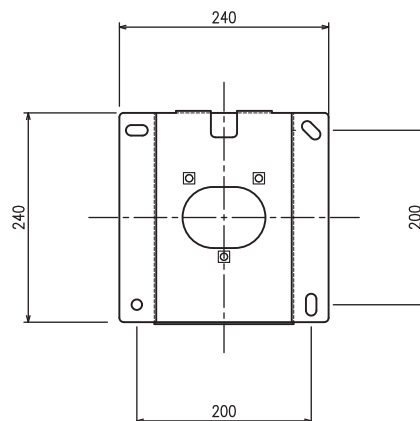
Use M10 or W3/8 bolts for ceiling mounting.
Using bolts other than those specified above may cause the projector to fall and result in injury.
Bolts and nuts for ceiling mounting are not included. Please prepare them according to the installation environment.

⚠ Warning

Do not install on ceilings that cannot withstand the load.
The ceiling must be able to withstand at least four times the weight of the projector.
If the ceiling is not strong enough, reinforce it before installing the ceiling mount.

For the installation dimensions of the ①Ceiling adaptor, refer to the figure below.

Ceiling installation surface dimensions (unit: mm)



► For details on how to adjust the angle, refer to “P.7 Adjusting the horizontal direction.”

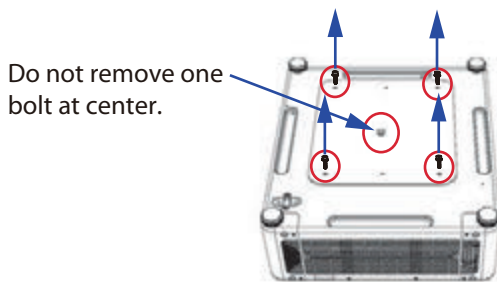
Attach projector adaptor to the projector

⚠ Caution The installation procedure and bolts to use are different depending on the shape of the bottom of the projector unit.

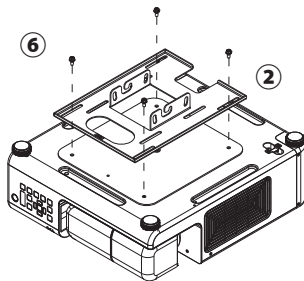
〈FP-Z8000/Z6000〉

Remove the four bolts securing the rear plate of the projector body.

▲Caution Do not remove one bolt at center.

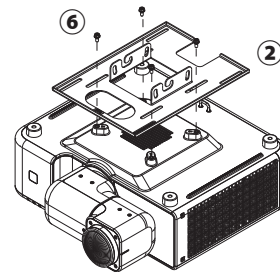


Remove the adjustable feet from the bottom of the projector body, and use ⑥M6 x 18 cross recessed hexagon head bolt and M6 washers to attach the ②Projector adaptor to the projector body.



〈FP-ZHU6000〉

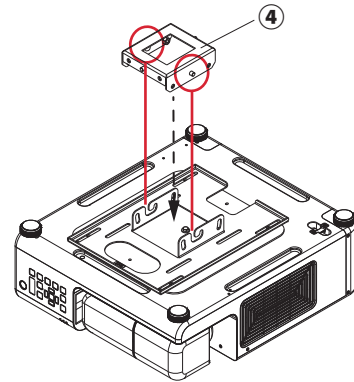
Use ⑥M6×18 cross recessed hexagon head bolt and M6 washer to attach the ②Projector adaptor to the projector body.



Continue to the next page

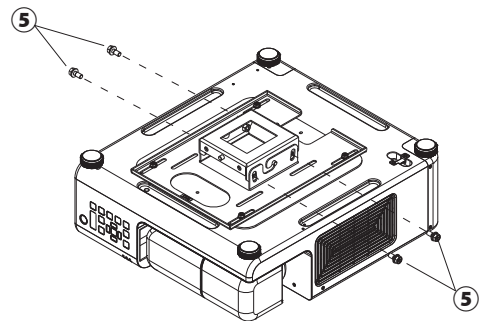
Attach projector adaptor to the projector(Continued)

Hook the protruding parts of the ②Projector adaptor onto the left and right hooks of the ④Horizontal adjuster to install.



Assemble the fixed ②Projector adaptor and ④Horizontal adjuster by using four ⑤M8×20 cross recessed hexagon head bolt.

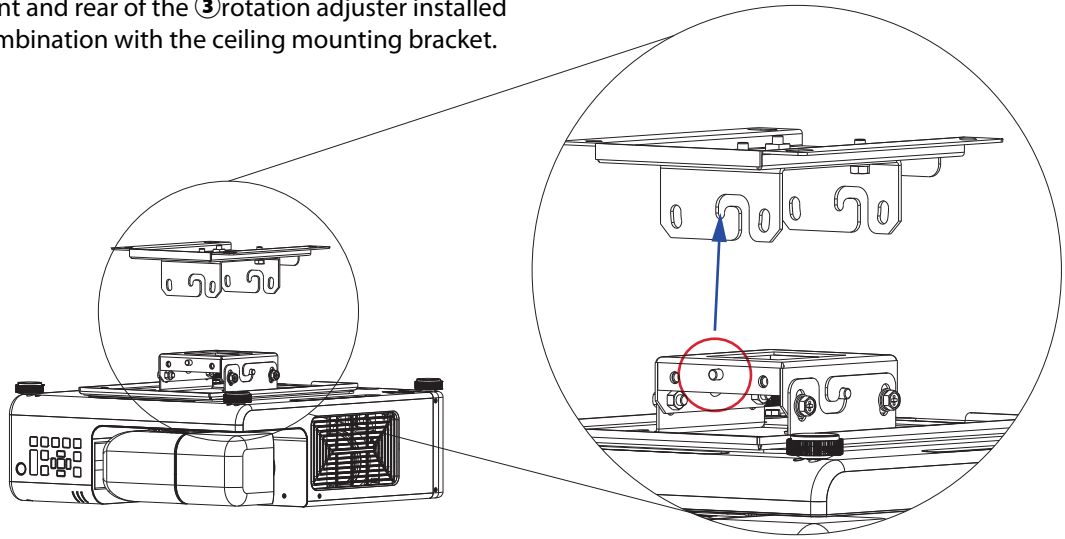
Note that the four bolts are used for vertical tilt adjustment of the projected image, so they are only temporarily secured at this stage. Tighten securely after adjustment.



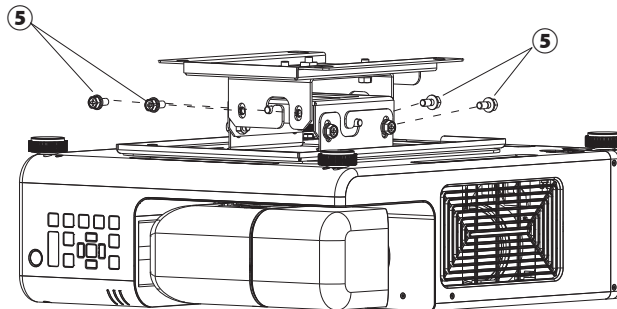
► For information on how to adjust the tilt, refer to “P. 10 Adjust the vertical direction.”

Hang the projector from the ceiling adaptor

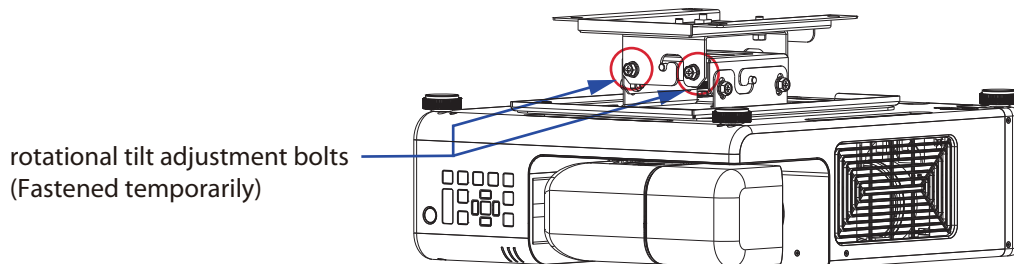
Hook the protruding part of the ④ horizontal adjuster onto the hook part at the front and rear of the ③ rotation adjuster installed on the ceiling in combination with the ceiling mounting bracket.



Once you have confirmed that the protruding parts of the ④ horizontal adjuster is properly hooked, secure it using four ⑤ M8 x 20 set bolts.



Note that the four bolts are used for rotational tilt adjustment of the projected image, so they are only temporarily secured at this stage. Tighten securely after adjustment.



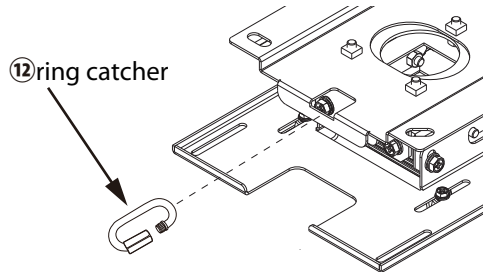
► For information on how to adjust the rotational tilt, refer to “P.9 Adjust the tilt of the projected image.”

Install the drop preventing wire

After installing the ceiling mount, perform fall prevention work to prevent the projector from falling or swaying sideways.

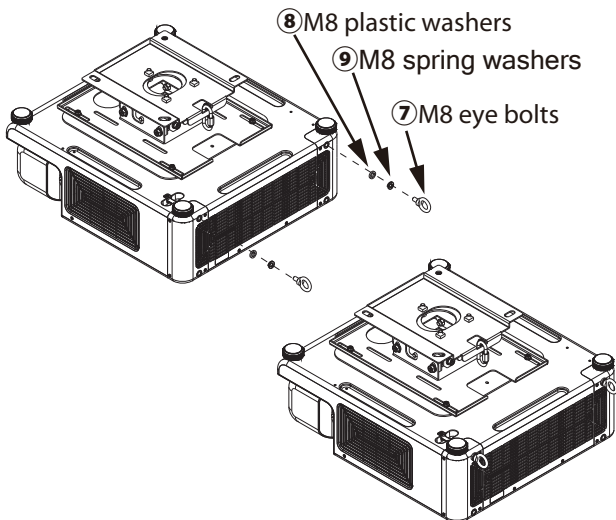
⚠ Caution The method for attaching the drop preventing wire varies depending on the model name of the projector you are installing.

Attach the ⑫ ring catcher to the opening on the back side of the ① ceiling adaptor.



〈FP-Z8000/Z6000〉

Attach two ⑦ M8 eye bolts to the two bolt holes on the back of the projector body.



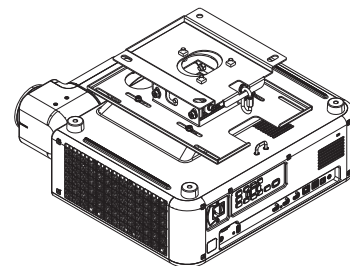
Let the ⑪ fall prevention wire (L = 560) pass through the M8 eye bolt attached to the projector body. Hook the loops at both ends of the wire onto the ring catcher attached above.

Also let the other drop prevention wire pass through the eye bolt in the same way, then hook the both loops of the ends of the both wire onto the ring catcher (⑫).

Once you have confirmed that all four loops are hooked onto the ring catcher, tighten the ring catcher screws securely.



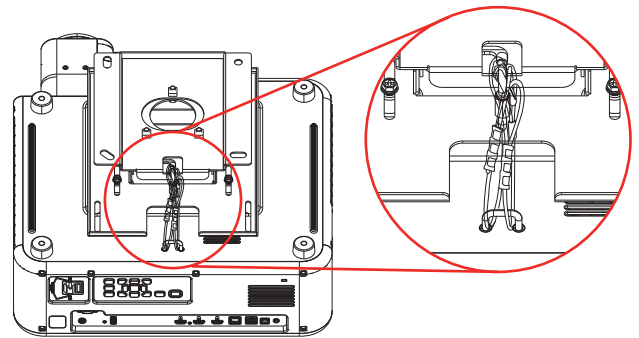
〈FP-ZUH6000〉



Let the drop prevention wire (L = 260) pass through the wire hook on the projector body. Hook the loops at both ends of the wire onto the ring catcher (⑫) attached previously.

Also let the other drop prevention wire pass through the eye bolt in the same way, then hook both ends of the loop onto the ring catcher (⑫).

Once you have confirmed that all four loops are hooked onto the ring catcher, tighten the ring catcher screws securely.

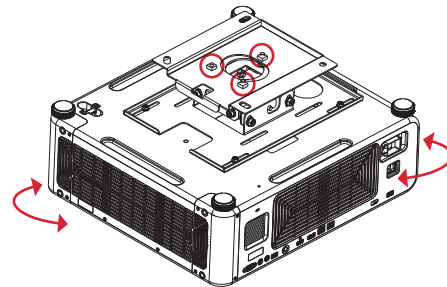
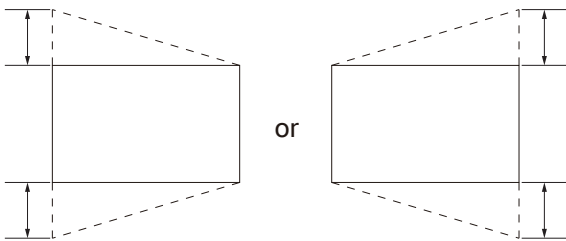


Adjust the installation angle

- The ceiling mount has a rotation adjustment mechanism around the optical axis, an vertical and horizontal tilt adjustment mechanism, and a front/back slide mechanism. Adjust the projector so that the projected image is proper rectangle.
- Please project an image from the projector referring to the projector instruction manual, and temporarily set the projection screen size and focus before adjusting the angle.

■ Adjust the horizontal direction

- Loosen the ⑤M8×20 cross recessed hexagon head bolts (3 locations) attached to the ③rotation adjuster from the inside using a ⑬spanner.
- Rotate the projector horizontally so that the top and bottom edges of the projected image are parallel each other.
- After the adjustment is completed, tighten the ⑤M8 x 20 cross recessed hexagon head bolts (3 locations) securely.



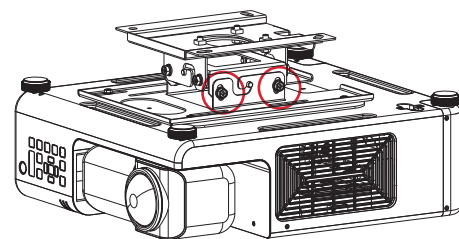
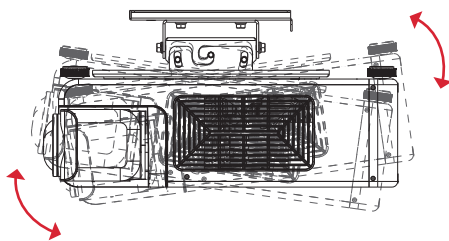
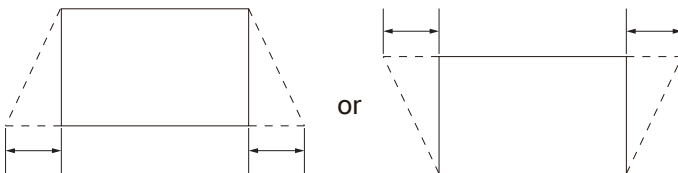
*maximum angle to adjust +/-5deg

⚠ Caution

Do not loosen the bolts too much. Loosening the bolts too much may cause the projector to fall.

■ Adjust the vertical direction

- Loosen the ⑤M8×20 cross recessed hexagon head bolts (4 locations) attached around the hook of the ②projector adaptor.
- Adjust the vertical direction of the projector body so that the left and right edges of the projected image are parallel.
- After the adjustment is completed, tighten the ⑤M8 x 20 cross recessed hexagon head bolts (4 locations) securely.



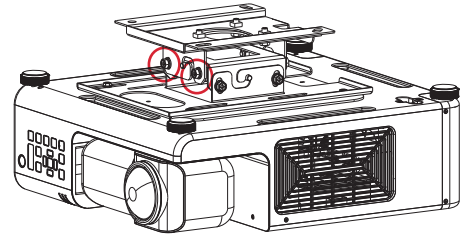
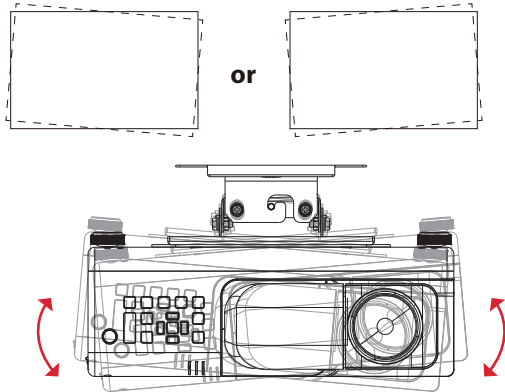
*maximum angle to adjust +/-8deg

⚠ Caution

Do not loosen the bolts too much. Loosening the bolts too much may cause the projector to fall.

■ Adjust the tilt of the projected image

- Loosen the ⑤ M8×20 cross recessed hexagon head bolts (4 locations) of the ④ Horizontal adjuster.
- Adjust the tilt of the projector so that the projected image is projected without tilting relative to the screen.
- After the adjustment is completed, tighten the ⑤ M8 x 20 cross recessed hexagon head bolts (4 locations) securely.



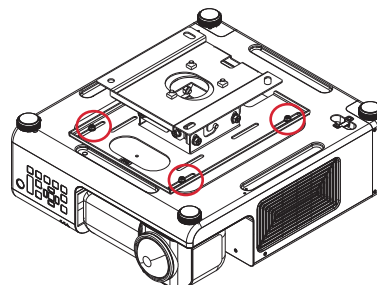
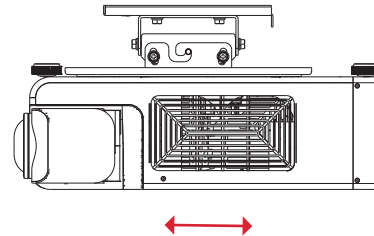
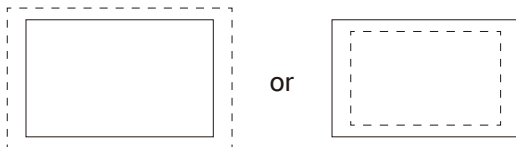
*maximum angle to adjust +/-5deg

⚠ Caution

Do not loosen the bolts too much. Loosening the bolts too much may cause the projector to fall.

■ Adjust the size of the projected image(Adjust forward/backward)

- Loosen the ⑥ M6×18 cross recessed hexagon head bolts (4 locations) of the ② projector adaptor.
- Move the projector forward or backward and adjust its position so that the size of the projected image is appropriate.
- After the adjustment is completed, tighten the ⑥ M6×18 cross recessed hexagon head bolts (4 locations) securely.



⚠ Caution

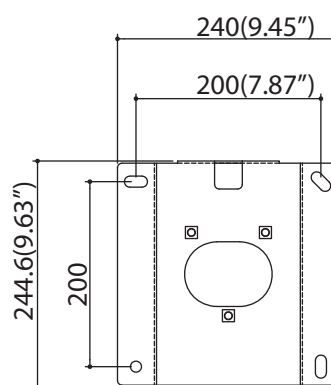
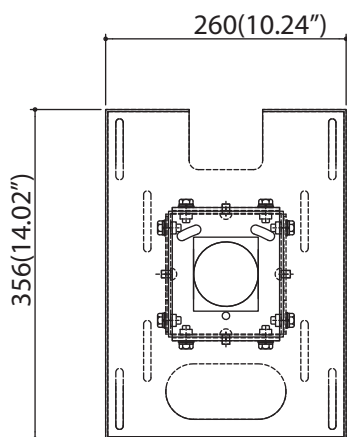
Do not loosen the bolts too much. Loosening the bolts too much may cause the projector to fall.

Once all adjustments have been completed, check again to ensure that all bolts and screws are securely tightened

Specifications

Product name	FPM-KZ100S
Size	W 260mm × D 356mm × H 100mm (Assembled. Without protrusion) W 10.24 in × D 14.02 in × H 3.94 in
Mass	6.0kg (13.23lb)
Adjustment range	Image vertical direction +/-8deg Image horizontal direction +/-5deg Image rotation +/-5deg Forward/backward slide +/-30mm

Size



<Ceiling adaptor>

