

Dust filter for FP-ZUH6000

**FP-AF60A**  
**FP-AF60F**



## How to Install the Dust Filter

# Safety Precautions

## For Your Safety

The ⚠ **WARNING** and ⚠ **CAUTION** indications in this document indicate the following:

⚠ **WARNINGS** Failure to observe warnings could result in death or serious injury.

⚠ **CAUTIONS** Failure to observe cautions could result in injury or property damage.

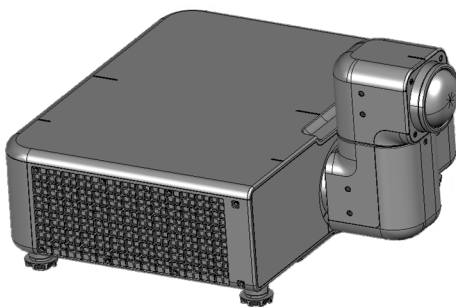
This section lists important precautions that must be followed to ensure safe and correct use of the product. Read them before using the product and observe them during use.

### ⚠ **WARNINGS**

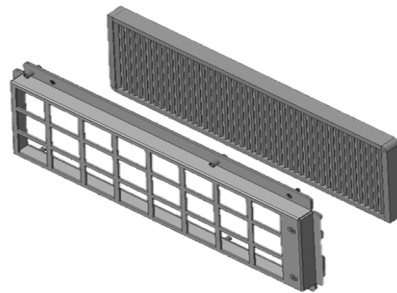
- Make sure to firmly install, mount, and tighten all parts. If used at a height, falling equipment can cause serious accidents.
- Always turn off the power before attaching the dust filter.
- When installing the dust filter, ensure the projector is stable and secure.

# Introduction

## Required Items for Dust Filter Installation



Projector Unit



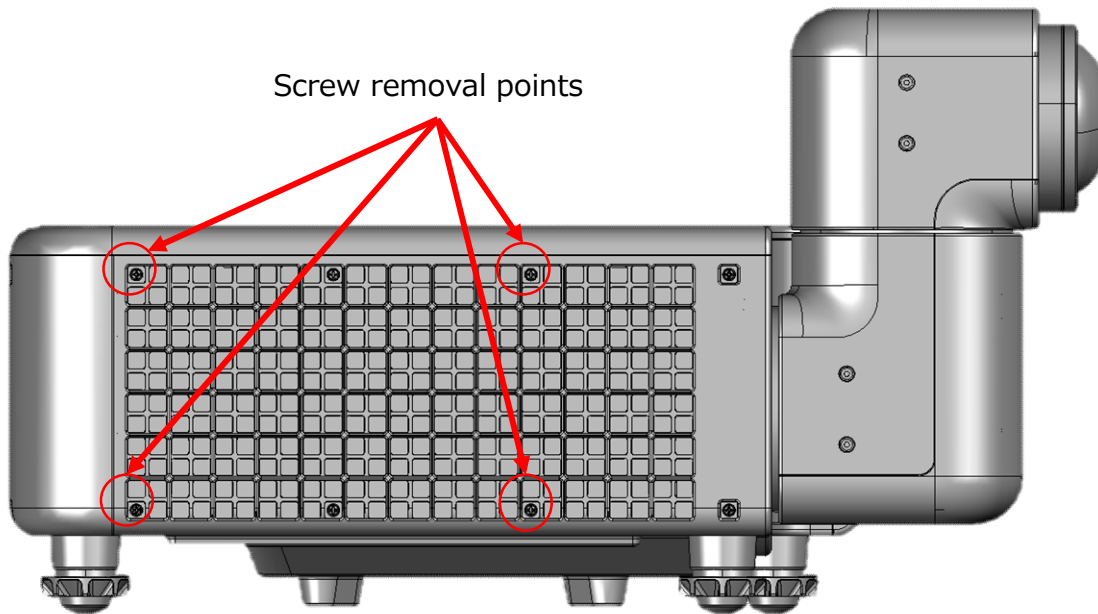
Dust Filter  
Dust Filter Cover



Phillips Screwdriver

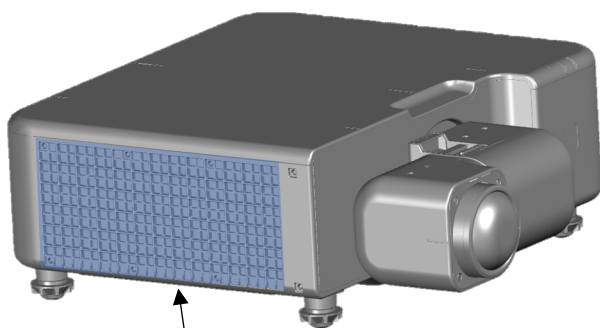
# Dust Filter Installation Procedure

Step 1: Remove the four screws on the projector's intake side

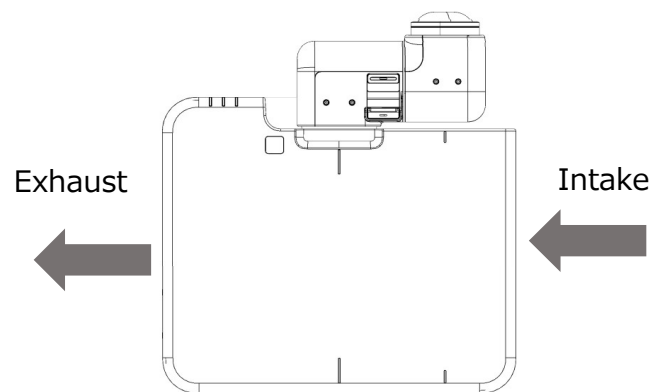


## CAUTIONS

- Be careful not to remove screws from the wrong locations
- Keep the removed screws safely to avoid loss.

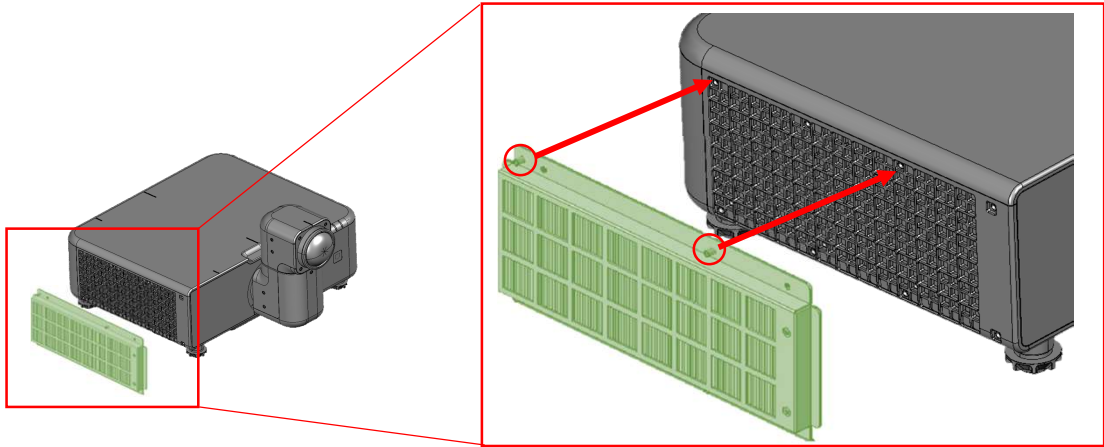


Intake side



The intake side is the side closer to the lens when the lens is stored.

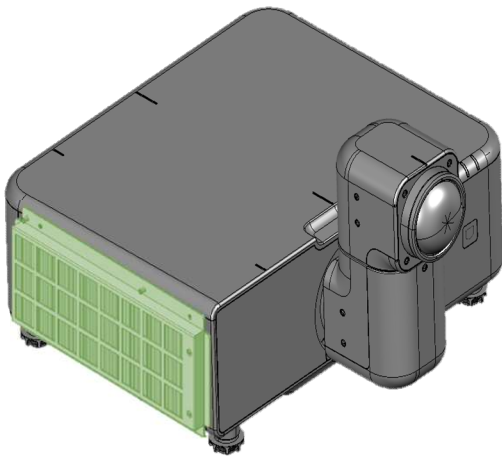
## Step 2: Attach the dust filter to the projector unit



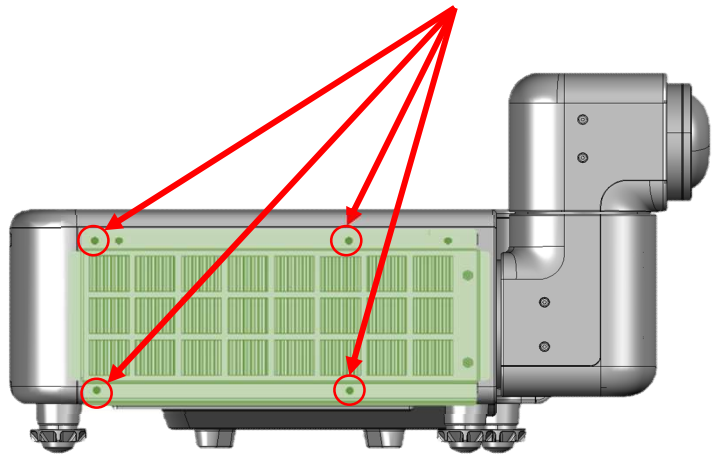
### CAUTIONS

Ensure correct filter placement.

## Step 3: Secure the dust filter with screws



Screw mounting points

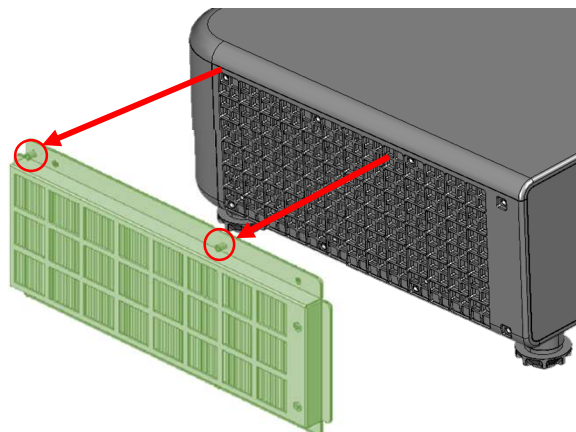


\* After installing the dust filter, please reset the filter usage time via the menu:

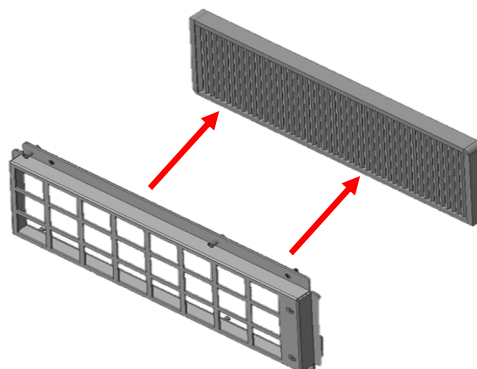
**ADVANCED (SYSTEM SETUP) > Filter Settings > Reset Filter Usage Time**

# How to Clean the Dust Filter

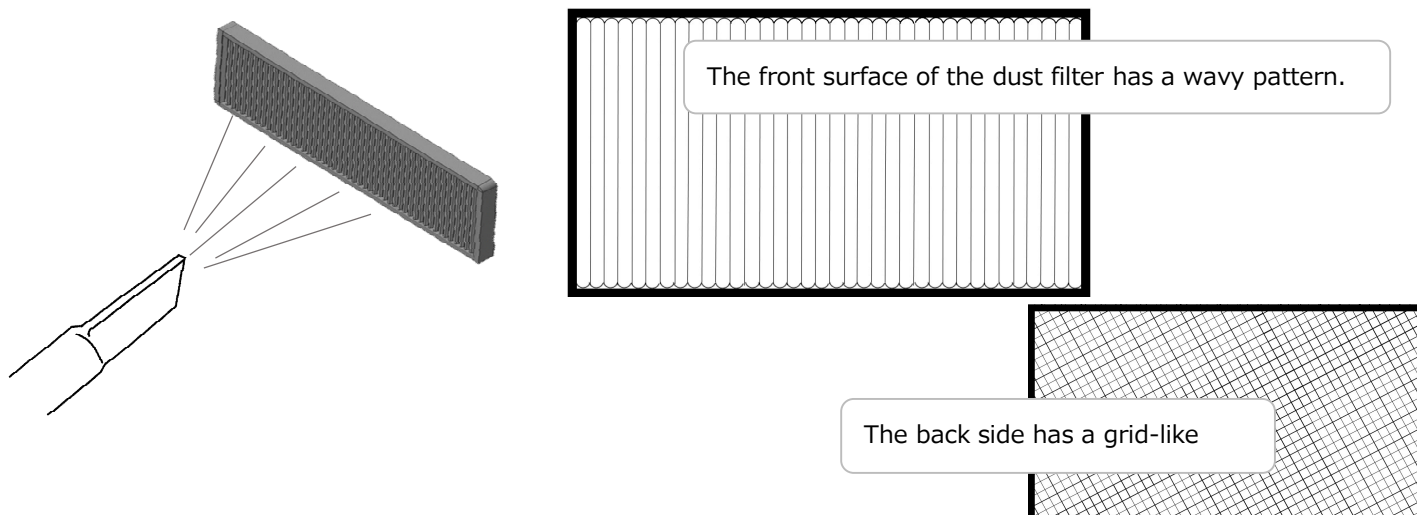
Step 1: Remove the dust filter from the projector.



Step 2: Remove the filter from the dust filter case.



Step 3: Vacuum the surface of the dust filter.



## CAUTIONS

Make sure to clean the dust filter in the correct direction.

Do not wash the dust filter with water.

Do not use an air duster..

- If the projector powers off due to an abnormal temperature error after cleaning the dust filter, replace the dust filter.
- The frequency of dust filter replacement depends significantly on the operating environment.