

StarFire™ SG600 Printhead

600 dpi
Inkjet Printhead



StarFire SG600 Printhead

Features:

- Single color operation
- Robust and repairable construction
- 12 to 33 picoliter drop sizes
- 1,536 individually addressable jets
- Incorporate VersaDrop™ binary and grayscale jetting
- RediJet® continuous ink recirculation

The StarFire SG600 printhead family is a breakout inkjet innovation for high performance printing and decorative applications. It is purpose-built for today's demanding high-speed scanning and single-pass industrial system designs. It is an easy to integrate, high performance, drop-on-demand printhead for single-color operation at resolutions up to 600 dpi. A robust construction that is repairable from the cover to the collar.

Combining superior jetting performance with a high nozzle packing density in a compact, self-contained unit, the StarFire SG600 printhead uses field proven materials to deliver a long service life with consistent and reliable output.

Each StarFire SG600 printhead has 1,536 independent channels arranged in 12 rows in a single nozzle plate for resolutions up to 600 dpi. All 1,536 nozzles can be fired simultaneously or individually.

Equipped with a singular, durable, collar mounted, metal nozzle plate to withstand abrasion and resist damage, it is removable for cleaning or replacement. VersaDrop™ from FUJIFILM Dimatix allows multiple fixed drop sizes in binary mode and grayscale capability from one printhead, with no loss to productivity. In binary operating mode, the StarFire SG600 printhead is designed to eject adjustable drop sizes from 12 up to 33 picoliters and can support grayscale levels as defined by the user's control electronics.

The StarFire SG600 printhead is compatible with aqueous inks, UV inks, solvent based ceramic inks and maintenance fluids. Using RediJet® technology, the StarFire SG600 printhead maximizes the dual ported ink interface to recirculate jetting fluids through the refill chambers and across the nozzles. RediJet allows StarFire printheads to be quickly and easily primed with minimal ink waste thereby increasing the inherent productive capacity of the printing system by reducing maintenance times and associated costs.

The StarFire SG600 printhead has simplified interfaces. The electrical interface consists of one DE15 pin connector for heater and firepulse connections and a USB 3.0 Type A for data. Two fluid connections facilitate easy priming, flushing and continuous ink recirculation and connect to an ink supply via Luer fittings.

Heating configuration includes an internal heater/thermistor for precise control of ink viscosity at temperatures up to 50°C. Precise registration points enable drop-in alignment with customer provided mounting features, reducing set-up and alignment costs during printhead replacement and also allow multiple printheads to be accurately arrayed into print bars for wide width, higher resolution and multi-color printing devices.



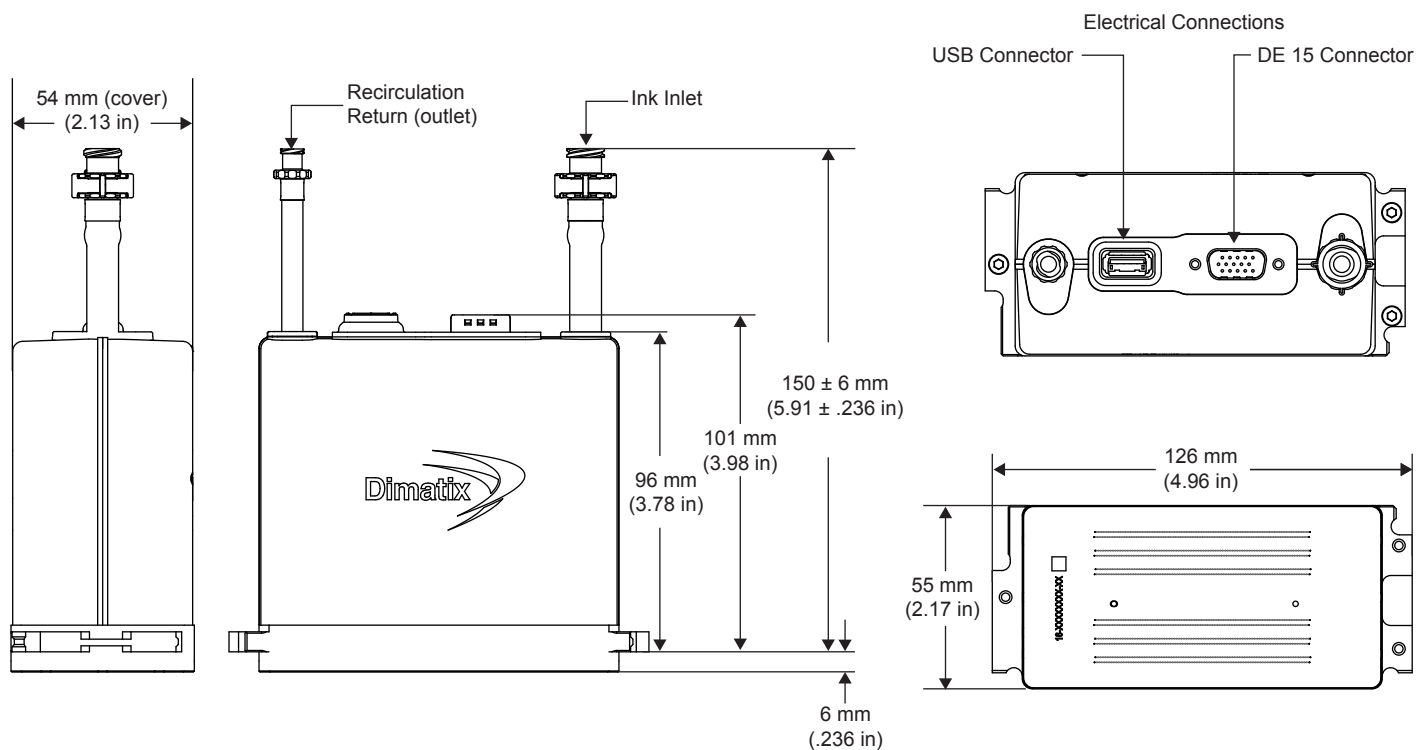
FUJIFILM
Value from Innovation

Dimatix

FUJIFILM Dimatix is the world leader in the manufacture of drop-on-demand inkjet products and technologies with over 1,000 patents since its inception as Spectra Corporation in 1985. We provide exceptional products and customer support.

Parameter	StarFire SG600 Printhead
Number of addressable Jets per module	1,536
Print width	64.98 mm (2.56 in)
Native resolution	600 dpi
Native drop size/largest drop size	12 pl / 33 pl
VersaDrop™ Max Productivity	600 ng-kHz with drop sizes between 12 and 33 ng
Firing frequency	Up to 50kHz
Inkjet operating temperature range	Up to 50° C (122° F)
Nominal fluid viscosity	8-20 cP (10-14 cP recommended)
Compatible jetting fluids	Aqueous inks, UV inks and solvent based ceramic inks
Nozzle Plate technology	Metal
Printhead heat type	Integrated heater, thermal transfer
OEM accessible non-volatile memory	64 byte rewritable
Integral temperature sensor	Included

Physical Characteristics



Product data presented above are for guideline purposes only. For design and engineering work using this product, please contact Dimatix Technical Support for the appropriate Product Manual containing full Product Specifications.

FUJIFILM
Value from Innovation



Corporate Office:
FUJIFILM Dimatix, Inc.
2250 Martin Avenue
Santa Clara, CA 95050
USA
Tel: (408) 565-9150
Fax: (408) 565-9151
Email: info@dimatix.com

New Hampshire Facility:
FUJIFILM Dimatix, Inc.
109 Etna Road
Lebanon, NH 03766
USA
Tel: (603) 443-5300
Fax: (603) 448-9870
Email: info@dimatix.com

Japan Office:
FUJIFILM Global Graphic Systems Co., Ltd.
2-26-30 Nishiazabu
Minato-ku, Tokyo 106-0031 Japan
Advanced Marking Strategy Division
Phone: +81 3 6419 0530
Fax: +81 3 6419 9840
E-mail: dmp_ffgs@ffgs.fujifilm.co.jp

Europe Office:
Tel: +44 7739 863 505
Fax: +44 870 167 4328
Email: euro@dimatix.com

Korea Office:
Email: mdkorea@dimatix.com

Taiwan Office:
Email: mdtaiwan@dimatix.com

China Office:
FUJIFILM Dimatix China Service Center
Building 30, 1000 Jinhai Road
Pudong New Area, Shanghai
China 201206
Email: china@dimatix.com

Singapore Office:
Email: mdsingapore@dimatix.com