

## Provide information about the disinfection and cleaning

We have received many inquiries due to the spread of the new coronavirus infection (COVID-19).

We guide representative examples of the chemical components and cleaning methods that can be used for disinfection and cleaning of our MRI medical devices.

### 1. Available disinfectants for cleaning up the system

#	Contents	Use applications	Cautions
1	Neutral detergent	Painted surface	
2	Ethanol for disinfection (70~90%)	System & accessories	Some cannot be used. Please refer to the instruction manual of each product

### 2. Non-available disinfectants for cleaning up the system

#	Contents	Reasons	Examples
1	Sodium hypochlorite	<ul style="list-style-type: none"> <li>Most metals such as iron, tin, copper, etc. rust, any malfunction may occur in case the metal inside the device is affected.</li> </ul>	Spray type Bottle type
2	Chlorine dioxide	<ul style="list-style-type: none"> <li>It may damage the device cover and mats due to deterioration of plastic and rubber products.</li> </ul>	Place type (solid) Spray type
3	Thinner & benzene, etc,	<ul style="list-style-type: none"> <li>The paint and cover may be melted.</li> </ul>	Solvent in can

<NOTE>

Please refer to the instruction manual for the product.

<CAUTION>

Please confirm that the components listed on the back of the disinfectant you are considering to use are the above-mentioned available contents, and then perform disinfection and cleaning.

Contact FUJIFILM Healthcare Corporation or an authorized representative if you have further inquiries.

Best Regards,

FUJIFILM Healthcare Corporation

QAM21-011



## Cleaning method (representative example for each product)

\*For details, please refer to the instruction manual.

[MRI System]

### Cleaning procedure

When cleaning the equipment, care must be exercised not to allow any detergent to enter inside the equipment. Especially great care must be taken not to allow detergent to enter through gaps between keys and control buttons when cleaning the operation panel.

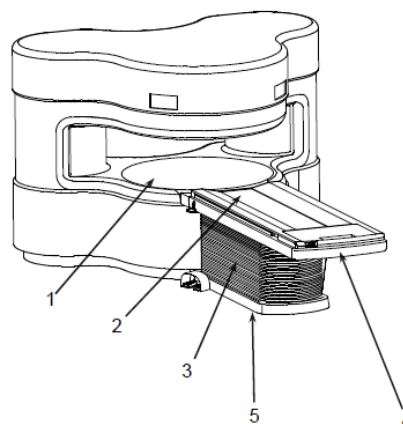
Using thinner or benzene as cleaning solution may damage the painted surface. Never use such solution.

#### (1) Cleaning control console

Use neutral detergent for cleaning. Dampen the soft cloth like gauze with detergent with the level not to drip, and wipe the contaminated surface with it. To clean the surface of the LCD monitor, use the commercially available OA cleaner (spray type) after masking the LCD monitor, operation switches.

#### (2) Cleaning gantry unit and patient table

Use neutral detergent for cleaning. Dampen the soft cloth like gauze with detergent with the level not to drip, and wipe the contaminated surface with it. If the gantry and/or patient table are contaminated with patient's blood, body liquid or filth, be sure to use the disposable gloves and use disinfection ethanol to disinfect the equipment.



1. Opening area of gantry

2. Tabletop and mattress of patient table

3. Table cover

4. Cover under the tabletop of patient table (inspect it by moving the tabletop to the foremost position).

5. Cover of table base