

■ Specifications

Product specifications and appearance are subject to change without advance notice.

Model name		FP-ZUH6000	
DLP® chip	Size	0.65 in, 16:9 aspect ratio	
	Display method	1 Chip DLP®	
	Number of pixels	2,073,600 pixels (1920 x 1080)	
Lens	Type	Folded two-axial rotatable lens	
	Shift	Electrical: Vertical ±82%, Horizontal ±35%	
	Zoom	Electrical: x1.0-x1.1	
	Throw ratio(TR)*1	0.34 (Wide)-0.37 (Telephoto)	
	Focal length	f=5.0mm (Wide)-5.5mm (Telephoto)	
	F No.	F2.3 (Wide)-F2.39 (Telephoto)	
Keystone correction range		Vertical ±5°/ Horizontal ±5°	
Light source		Laser diode	
Brightness [ANSI lm*2]		6,000lm	
Light source life*3		Up to about 20,000 hours	
Contrast ratio*4		12,000:1	
Projected image size		70-300 inches	
Maximum display resolution(WxH)		4K 3840 x 2160 (4K mode ON)	
Terminals	Video IN	HDMI® 1	TypeA HDMI® 2.0 (Compatible with HDCP 2.2)
		HDMI® 2	TypeA HDMI® 2.0 (Compatible with HDCP 2.2)
		HDBaseT™	RJ-45 for video/audio/connection control
	Video OUT	HDMI®	TypeA HDMI® 2.0 (Compatible with HDCP 2.2)
		LAN	RJ-45 for network connection (10BASE-T/100Base-TX)
	Control IN/OUT	HDBaseT™	RJ-45 for projector connection control
		RS-232C	D-Sub 9Pin for projector connection control
		AUDIO OUT	AUDIO OUT M3.5mm stereo mini jack
	Remote IN	REMOTE	M3.5mm stereo mini jack for wired remote control
	Others	USB 1	TypeA DC 5V 1.5A(Max)
USB 2		TypeB for maintenance	
Power supply		AC 100-120V, AC 220-240V 50/60Hz	
Power consumption	Maximum	650W	
	Normal	560W	
	Eco	285W	
	Standby	Approx.0.5W	
	Network standby	Approx.8.0W	
Dimensions		486mm (W) x 496mm (D) x 175mm (H) (excluding adjustable feet and protruding parts)	
Weight		Approx.17.5kg(38.6lb)	
Noise level*5	Normal	36dB	
	Eco	34dB	
Operation environment	Operating temperature	0-40°C (32-104°F)	
	Operating humidity	10-85% (without condensation)	
	Storage temperature	-20-60°C (-4-140°F)	
Accessories included	Power cord 3.0m (9.8ft)		
	Lens cap		
	Remote control unit		
	Remote control battery (AAA type x2)		
	Basic manual		

*1 The "throw ratio" is the throw distance divided by the screen width.

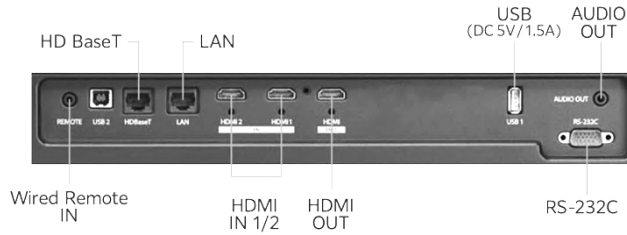
*2 The average value for this model at shipment, according to ANSI standards.

*3 The estimated time taken for brightness to drop by half. Varies with the operating environment and conditions of use.

*4 Assumes that dynamic black is on.

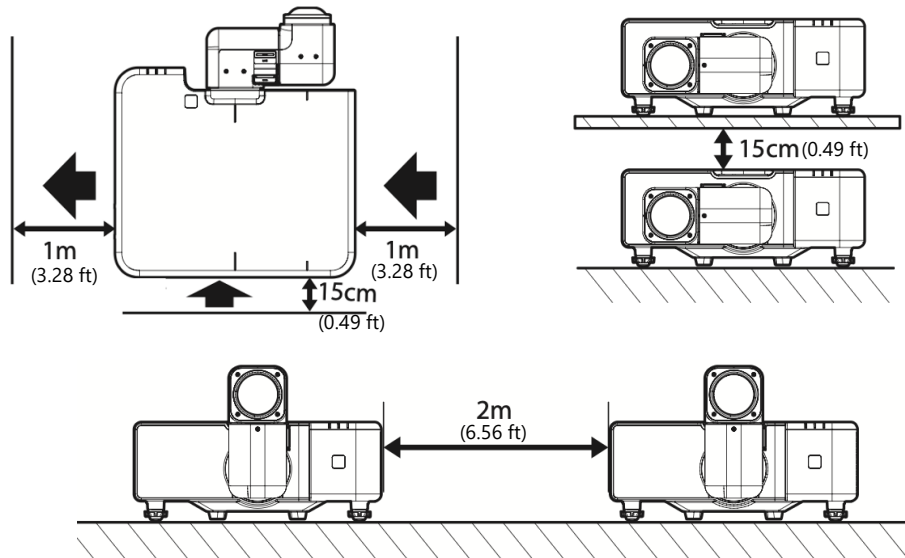
*5 Noise measurement follows ISO 7779.

■ Terminals



■ Notes on projector installation

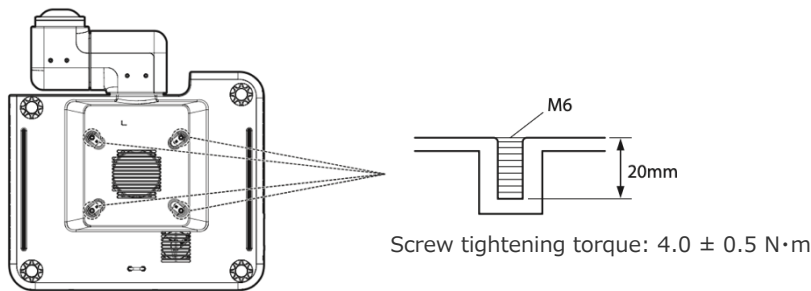
- When installing the projector, choose a location where the vents will be a safe distance from walls or other obstructions. When installing units one above another, for example on shelves, leave no less than approximately 15 cm (0.49 ft) between the shelves and the wall.
- When installing two or more projectors side-by-side, leave a space of at least 1 m (3.28 ft) between them. You will also need to ensure that the warm air from the exhaust vent does not enter any of the projectors' intake vents.
- Do not obstruct the vents. The build-up of heat inside the projector could cause fire.



■ Ceiling Mount Installation Precautions

- When suspending the projector from the ceiling, be sure to use the specified ceiling mount.
- When installing the projector, attach the drop-prevention kit included with the ceiling mount. Refer to your dealer if you require a drop-prevention kit.
- Ceiling installations should be performed only by qualified technicians.
- See the ceiling mount installation instructions for details.

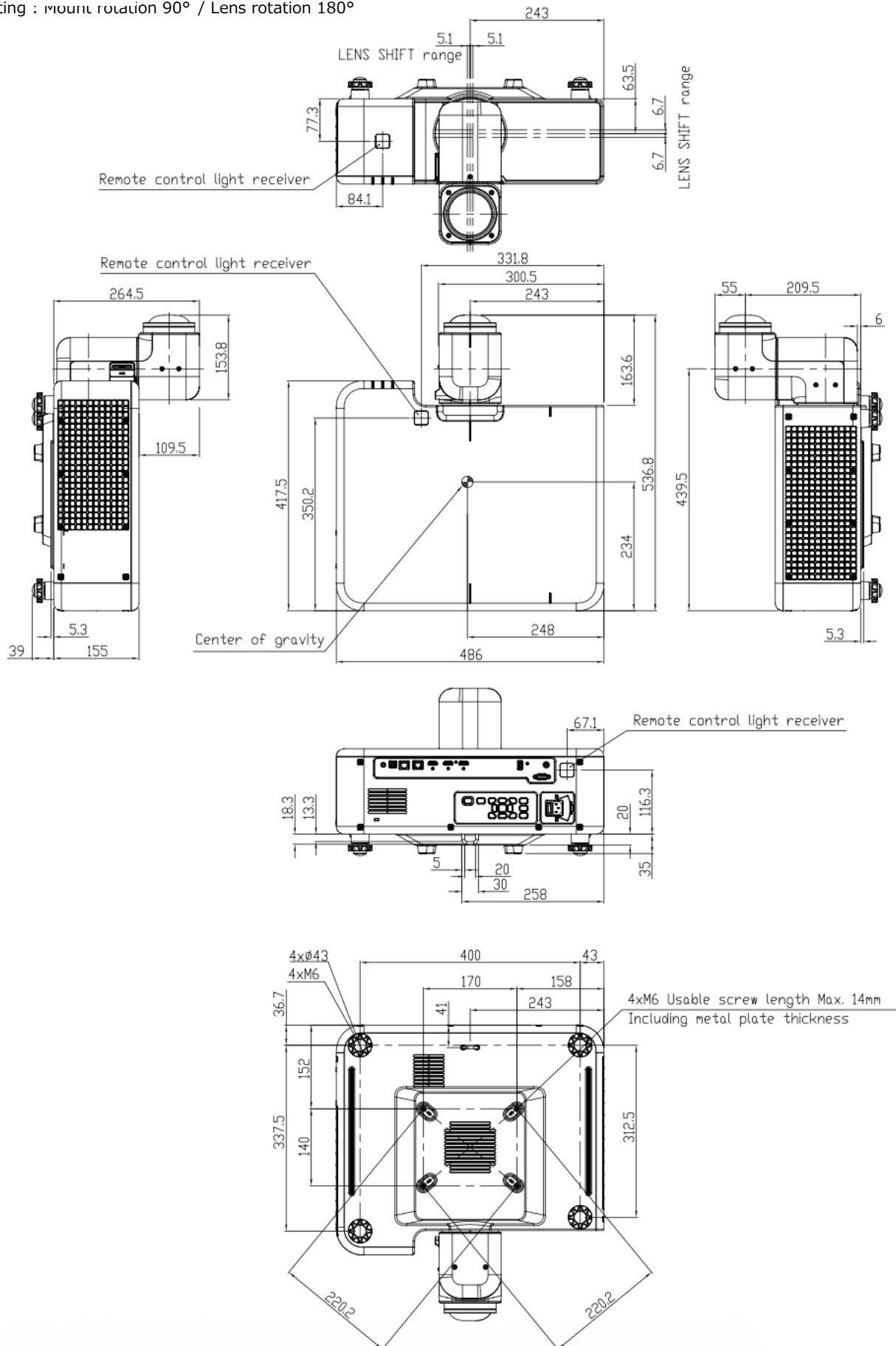
Ceiling Mount Screw Specifications



Bottom

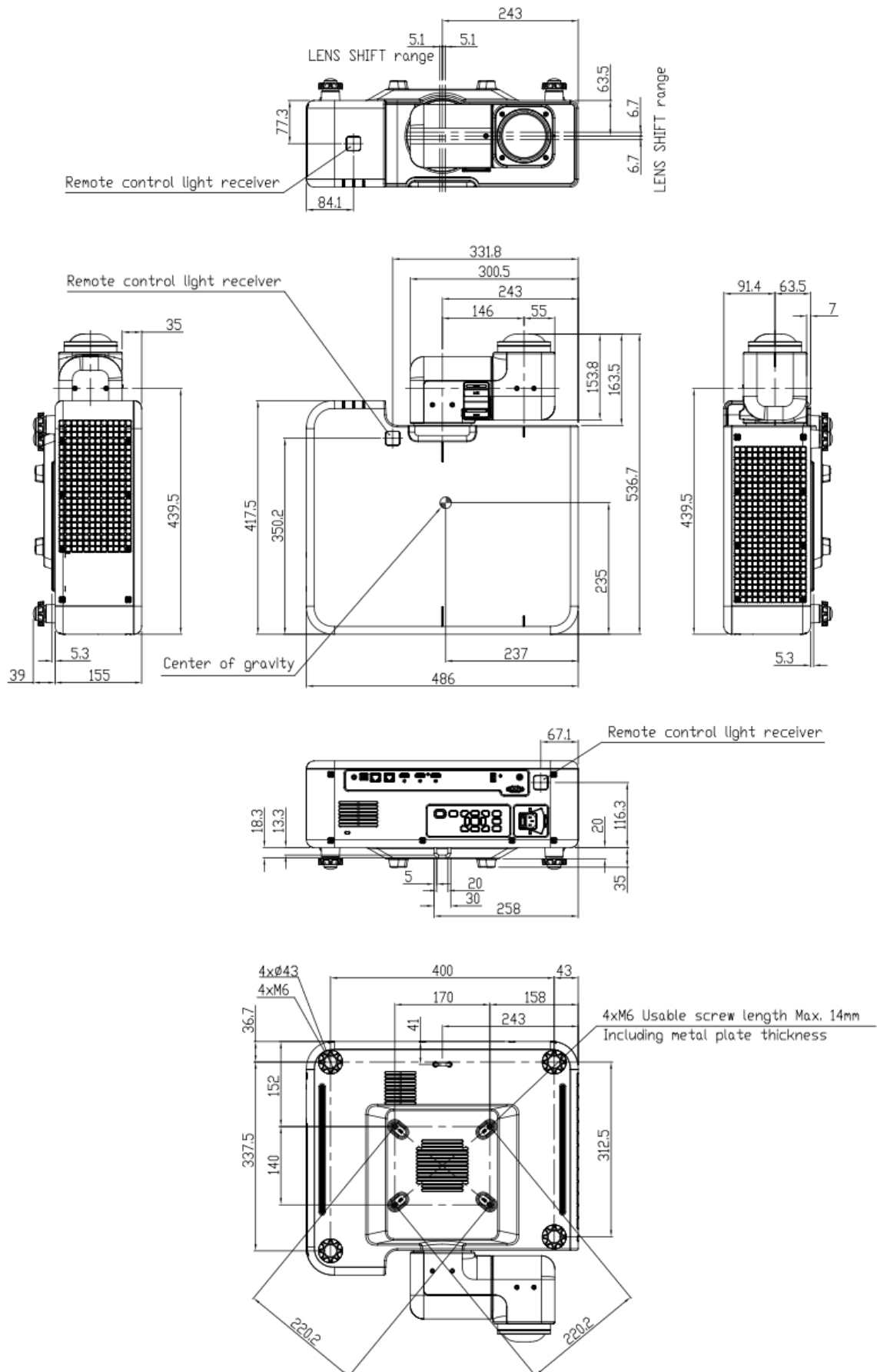
■ Dimensions1

Lens setting : mount rotation 90° / Lens rotation 180°



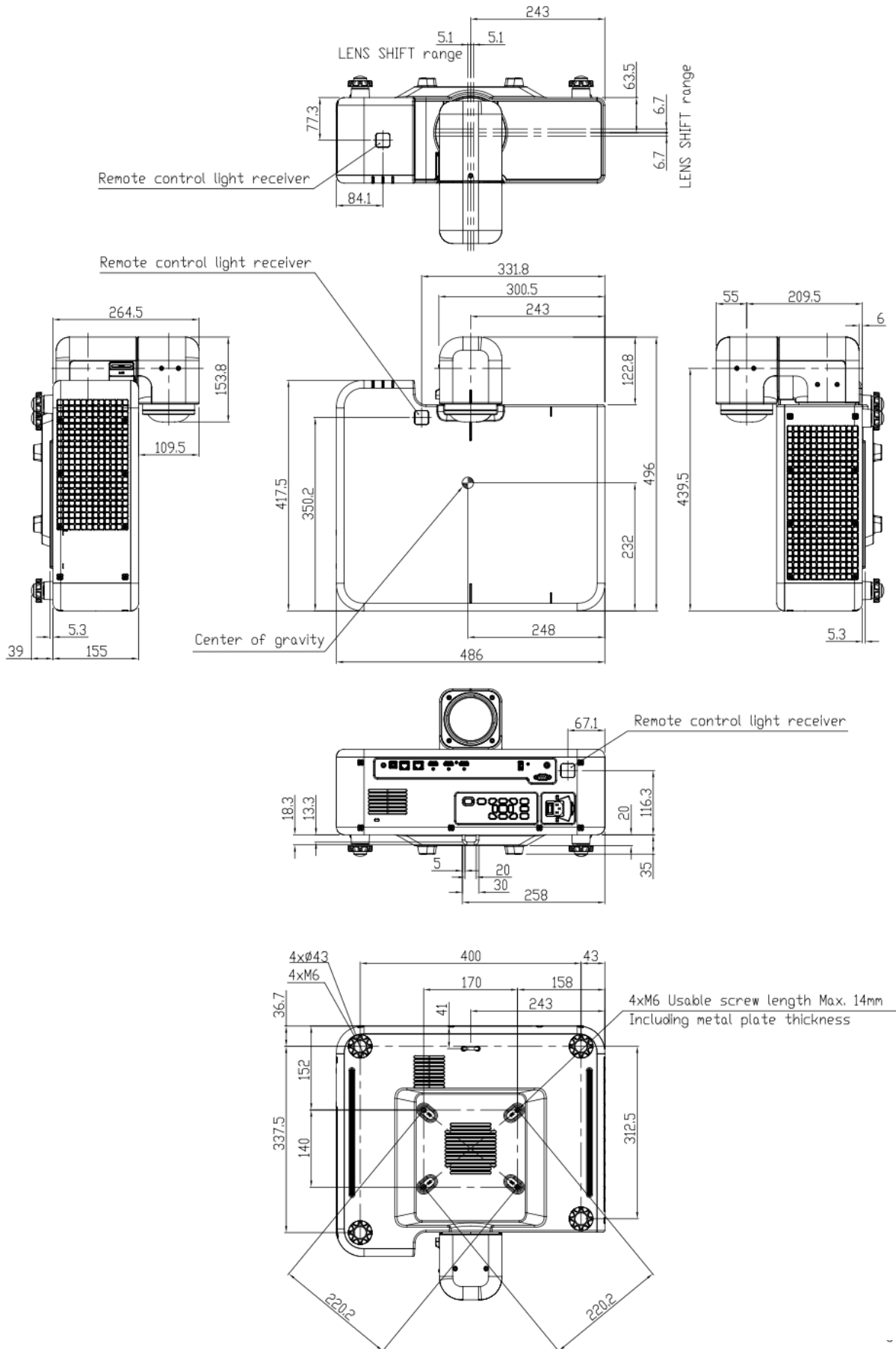
■ Dimensions2

Lens setting : Mount rotation 0° / Lens rotation 180°



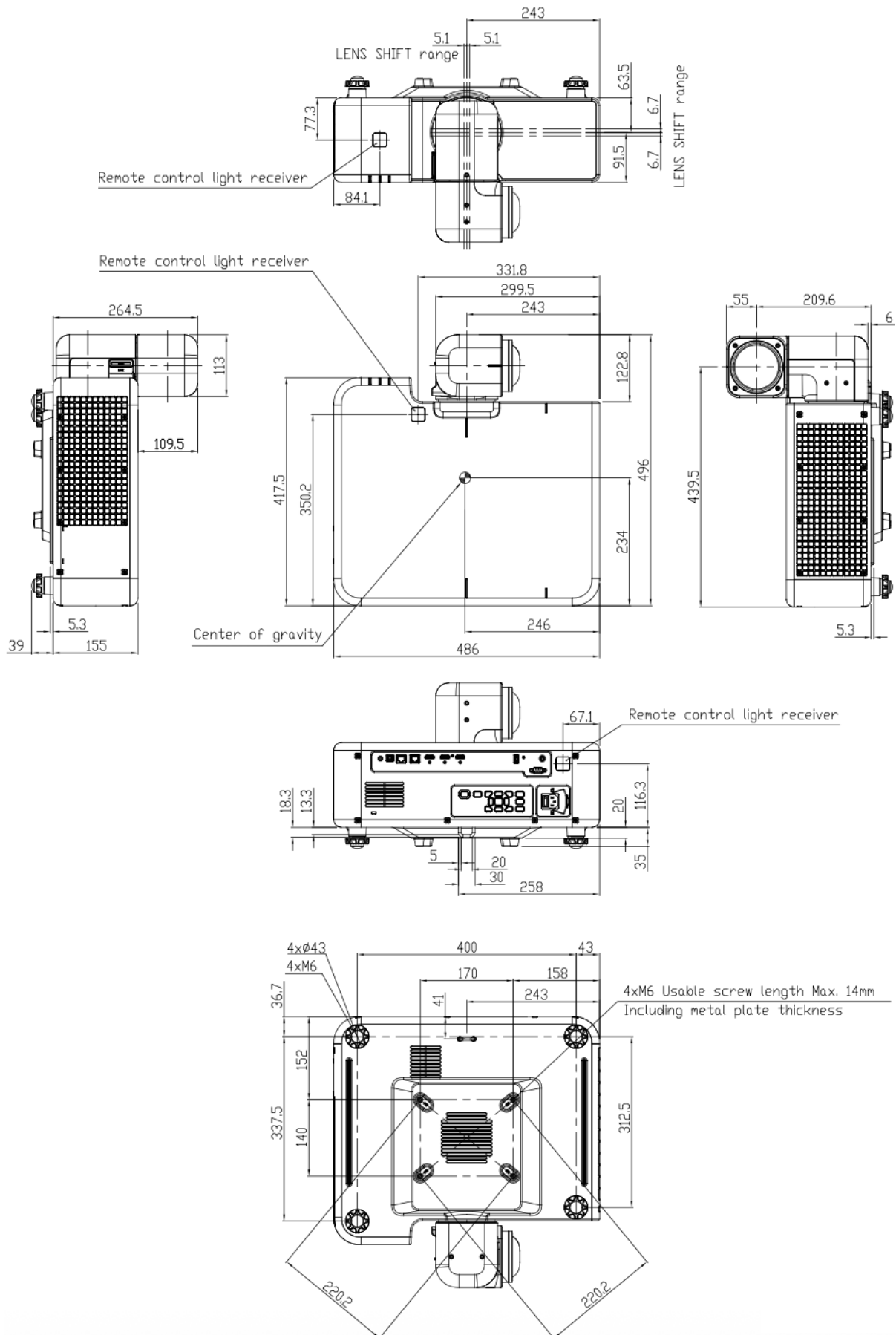
■ Dimensions3

Lens setting : Mount rotation 90° / Lens rotation 0°



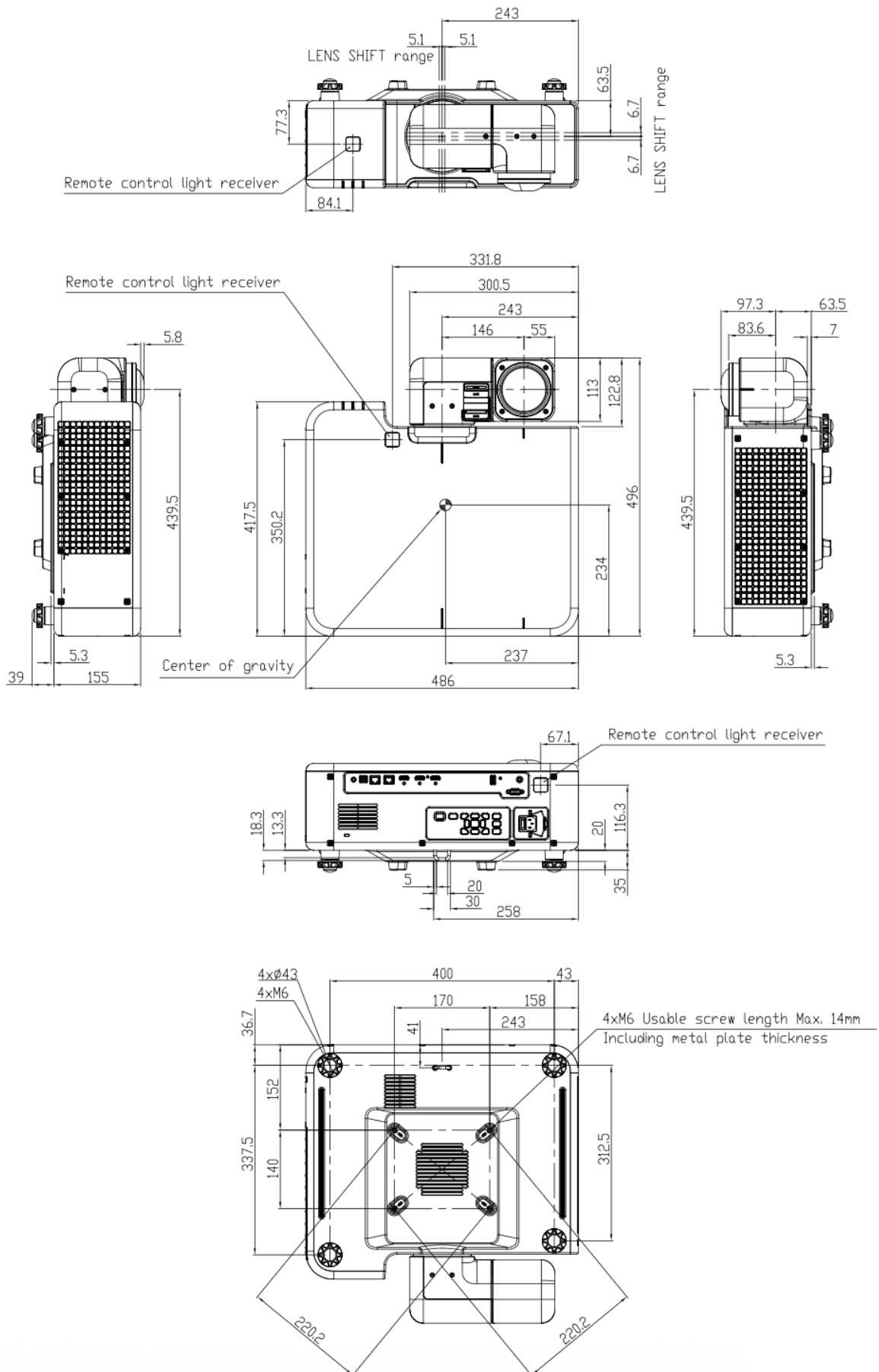
■ Dimensions4

Lens setting : Mount rotation 90° / Lens rotation 270°



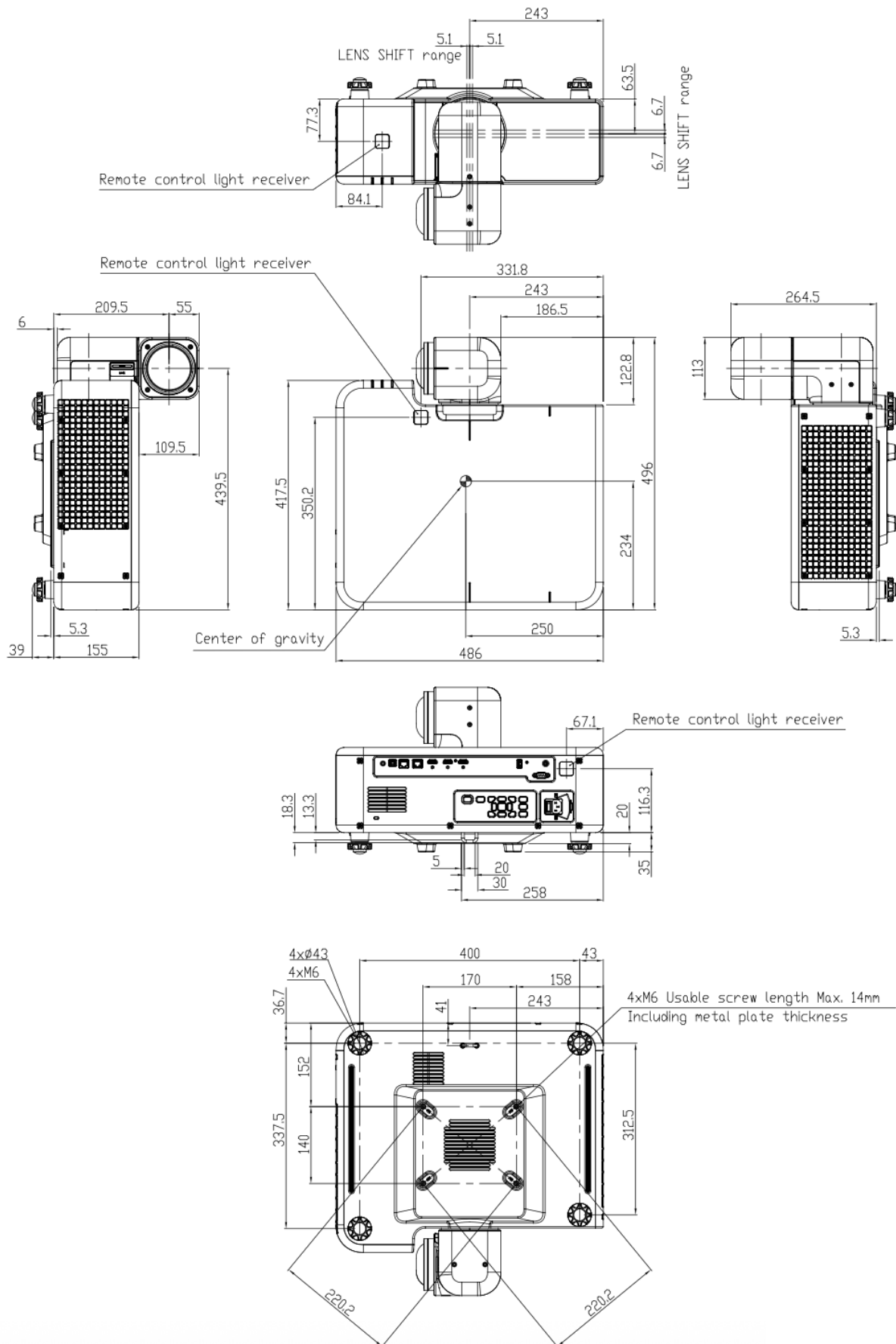
■ Dimensions5

Lens setting : Mount rotation 0° / Lens rotation 90°

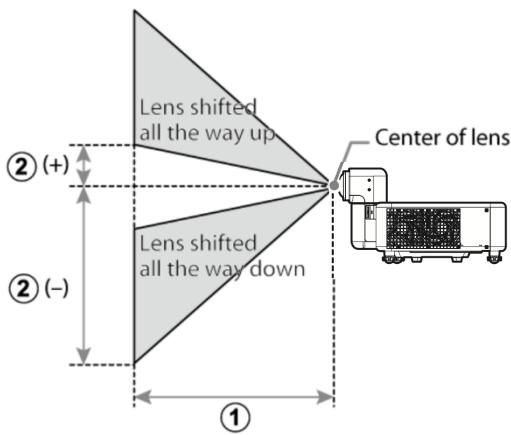


■ Dimensions6

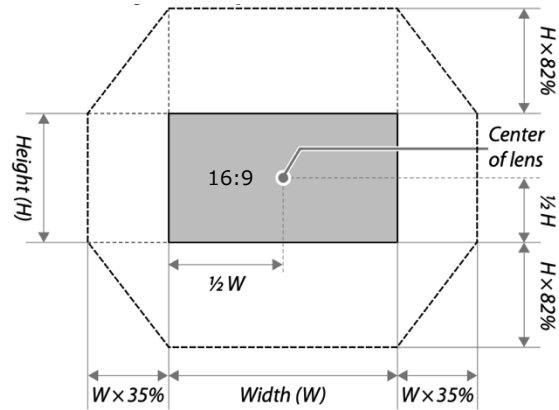
Lens setting : Mount rotation 90° / Lens rotation 90°



■ Projection Distance



■ Lens Shift Range



■ Projection Distance Tables Figures are approximate, differing from the actual values by a few percent.

More details on projection distance are available via a simulator on the Fujifilm website:
<https://optics.fujifilm.com/projector/simulator/zuh6000/en.html>

[Screen aspect ratio 16:9]

Screen dimensions (16:9)		①Projection distance (cm/in)	②Vertical shift (cm/in)
Diagonal (in)	W × H (cm/in)	min. zoom–max. zoom	lowest to highest
70	155 × 87 / 61.0 × 34.3	52 – 57 / 20.5 – 22.4	–115 – 28 / –45.3 to +11.0
80	177 × 100 / 69.7 × 39.4	59 – 65 / 23.2 – 25.6	–131 – 32 / –51.6 to +12.6
90	199 × 112 / 78.3 × 44.1	67 – 74 / 26.4 – 29.1	–148 – 36 / –58.3 to +14.2
100	221 × 125 / 87.0 × 49.2	75 – 82 / 29.5 – 32.3	–164 – 40 / –64.6 to +15.7
120	266 × 149 / 104.7 × 58.7	90 – 99 / 35.4 – 39.0	–197 – 48 / –77.6 to +18.9
150	332 × 187 / 130.7 × 73.6	113 – 124 / 44.5 – 48.8	–247 – 60 / –97.2 to +23.6
180	332 × 187 / 130.7 × 73.6	113 – 124 / 44.5 – 48.8	–247 – 60 / –97.2 to +23.6
200	443 × 249 / 174.4 × 98.0	151 – 166 / 59.4 – 65.4	–329 – 80 / –129.5 to +31.5
250	553 × 311 / 217.7 × 122.4	189 – 208 / 74.4 – 81.9	–411 – 100 / –161.8 to +39.4
300	664 × 374 / 261.4 × 147.2	227 – 250 / 89.4 – 98.4	–493 – 120 / –194.1 to +47.2

[Screen aspect ratio 16:10]

Screen dimensions (16:10)		①Projection distance (cm/in)	②Vertical shift (cm/in)
Diagonal (in)	W × H (cm/in)	min. zoom–max. zoom	lowest to highest
70	151 × 94 / 59.4 × 37.0	56 – 62 / 22.0 – 24.4	–124 – 30 / –48.8 to +11.8
80	172 × 108 / 67.7 × 42.5	64 – 71 / 25.2 – 28.0	–142 – 34 / –55.9 to +13.4
90	194 × 121 / 76.4 × 47.6	72 – 80 / 28.3 – 31.5	–160 – 39 / –63.0 to +15.4
100	215 × 135 / 84.6 × 53.1	81 – 89 / 31.9 – 35.0	–178 – 43 / –70.1 to +16.9
120	258 × 162 / 101.6 × 63.8	97 – 107 / 38.2 – 42.1	–213 – 52 / –83.9 to +20.5
150	323 × 202 / 127.2 × 79.5	122 – 134 / 48.0 – 52.8	–267 – 65 / –105.1 to +25.6
180	388 × 242 / 152.6 × 95.4	147 – 161 / 57.7 – 63.5	–320 – 78 / –125.9 to +30.5
200	431 × 269 / 169.7 × 105.9	163 – 179 / 64.2 – 70.5	–355 – 86 / –139.8 to +33.9
250	538 × 337 / 211.8 × 132.7	204 – 225 / 80.3 – 88.6	–444 – 108 / –174.8 to +42.5
300	646 × 404 / 254.3 × 159.1	245 – 270 / 96.5 – 106.3	–533 – 129 / –209.8 to +50.8

[Screen aspect ratio 4:3]

Screen dimensions (4:3)		①Projection distance (cm/in)	②Vertical shift (cm/in)
Diagonal (in)	W × H (cm/in)	min. zoom-max. zoom	lowest to highest
60	122 × 91 / 48.0 × 35.8	54 – 60 / 21.3 – 23.6	-121 – 29 / -47.6 to +11.4
70	142 × 107 / 55.9 × 42.1	64 – 70 / 25.2 – 27.6	-141 – 34 / -55.5 to +13.4
80	163 × 122 / 64.2 × 48.0	73 – 80 / 28.7 – 31.5	-161 – 39 / -63.4 to +15.4
90	183 × 137 / 72.0 × 53.9	82 – 91 / 32.3 – 35.8	-181 – 44 / -71.3 to +17.3
100	203 × 152 / 79.9 × 59.8	92 – 101 / 36.2 – 39.8	-201 – 49 / -79.1 to +19.3
120	244 × 183 / 96.1 × 72.0	110 – 121 / 43.3 – 47.6	-241 – 59 / -94.9 to +23.2
150	305 × 229 / 120.1 × 90.2	138 – 152 / 54.3 – 59.8	-302 – 73 / -118.9 to +28.7
180	366 × 274 / 144.0 × 108.0	166 – 183 / 65.4 – 72.0	-362 – 88 / -142.6 to +34.6
240	488 × 366 / 192.1 × 144.1	222 – 244 / 87.4 – 96.1	-483 – 117 / -190.2 to +46.1

■ Supported Resolutions

[HDMI1.1 / DisplayPort / HDBaseT PC compatible signal]

Signal Type	Signal Format	Resolution	Aspect Ratio	V Sync (Hz)	RGB			YCbCr 4:4:4			YCbCr 4:2:2
					8 bit	10 bit	12 bit	8 bit	10 bit	12 bit	8 bit
PC	VGA	640x480	4:03	60	V	V	V	V	V	V	V
	SVGA	800x600	4:03	60	V	V	V	V	V	V	V
	XGA	1024x768	4:03	60	V	V	V	V	V	V	V
	WXGA	1280x768	15:09	60	V	V	V	V	V	V	V
	WXGA	1280x800	16:10	60	V	V	V	V	V	V	V
	SXGA-	1280x960	4:03	60	V	V	V	V	V	V	V
	SXGA	1280x1024	5:04	60	V	V	V	V	V	V	V
	WXGA	1360x768	16:09	60	V	V	V	V	V	V	V
	FWXGA	1366x768	16:09	60	V	V	V	V	V	V	V
	WXGA+	1440x900	16:10	60	V	V	V	V	V	V	V
	HD+	1600x900	16:09	60	V	V	V	V	V	V	V
	UXGA	1600x1200	4:03	60	V	V	V	V	V	V	V
	WSXGA+	1680x1050	16:10	60	V	V	V	V	V	V	V
	WUXGA	1920x1200	16:10	60	V	V	V	V	V	V	V
TV	EDTV (480p)	720x480	3:02	24	V	V	V	V	V	V	V
				25	V	V	V	V	V	V	V
	EDTV (576p)	720x576	5:04	30	V	V	V	V	V	V	
				50	V	V	V	V	V	V	V
	HDTV (720p)	1280x720	16:09	59.94	V	V	V	V	V	V	
				60	V	V	V	V	V	V	
				120	V	V	V	V	V	V	
	HDTV (1080p)	1920x1080	16:09	23.98	V	V	V	V	V	V	
				24	V	V	V	V	V	V	
				25	V	V	V	V	V	V	
29.97				V	V	V	V	V	V		
30				V	V	V	V	V	V		
50				V	V	V	V	V	V		
59.94				V	V	V	V	V	V		
60				V	V	V	V	V	V		
4K	4K UHD (2160p)	3840x2160	16:09	120	V	V	V	V	V	V	
				24	V	V	V	V	V	V	
				25	V	V	V	V	V	V	
				30	V	V	V	V	V	V	
	4K x 2K	4096x2160	19:10	50	V	-	-	V	-	-	
				60	V	-	-	V	-	-	
				24	V	V	V	V	V	V	
				25	V	V	V	V	V	V	
				30	V	V	V	V	V	V	
				50	V	-	-	V	-	-	
60	V	-	-	V	-	-					
High Frame Rate	1080p	1920x1080	16:09	240	V	-	-	-	-	-	