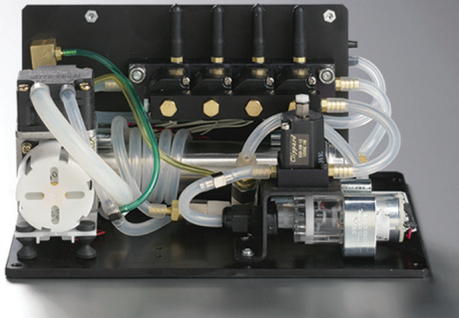


Meniscus Pressure Controller

A Dimatix Printhead
Support Product



MPC Pneumatic Interface



MPC Electronics Interface

Features:

- Small compact design
- Provides meniscus vacuum for up to 4 reservoirs
- Wide range of vacuum set points
- Adjustable purge pressure
- +12 Volts dc operation
- 60 Milliliter per minute per channel intake capacity
- Low vacuum alarm
- Optional Fluid-in-Line Monitor
- CE Certified

The Dimatix Meniscus Pressure Controller (MPC) is an efficient, compact, self-contained unit for maintaining and controlling meniscus/purge pressure for Dimatix printheads and jetting assemblies.

The MPC is a compact 4-channel standalone device used to control and maintain meniscus vacuum for all Dimatix jetting assemblies and printheads.

The unit has meniscus/purge ports for up to 4 printheads or reservoirs. Each channel can be individually purged with no loss of meniscus vacuum to other active channels and is independently controlled by its own discrete input.

The MPC has a compact footprint of 211 w x 171.5 d x 115.3 mm (8.3 x 6.75 x 4.5 in.) and is insensitive to mounting orientation making for easy integration into an existing system. The MPC's manifold construction, tubing, valves, fittings and other components are resistant to the vapors created by UV curable, solvent and aqueous inks. The unit is CE certified.

The system provides both visual and electrical indication of low meniscus vacuum. An optional Fluid inLine Monitor (FiLM) is available as an economical and effective safeguard to reduce the possibility of damage to the unit in the event fluid overflows into a meniscus vacuum line.

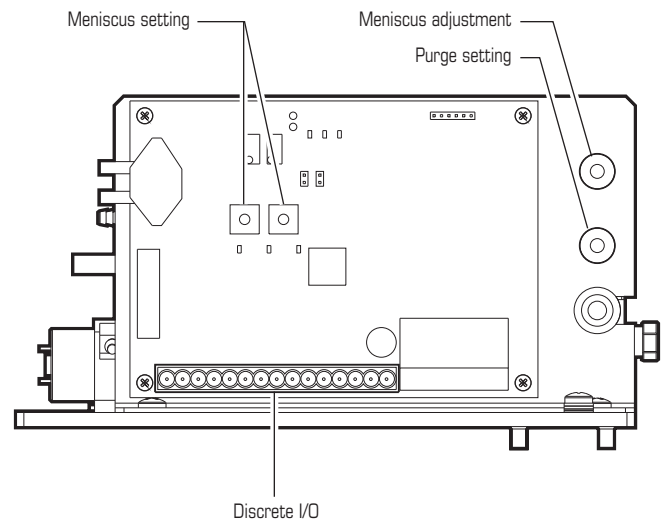
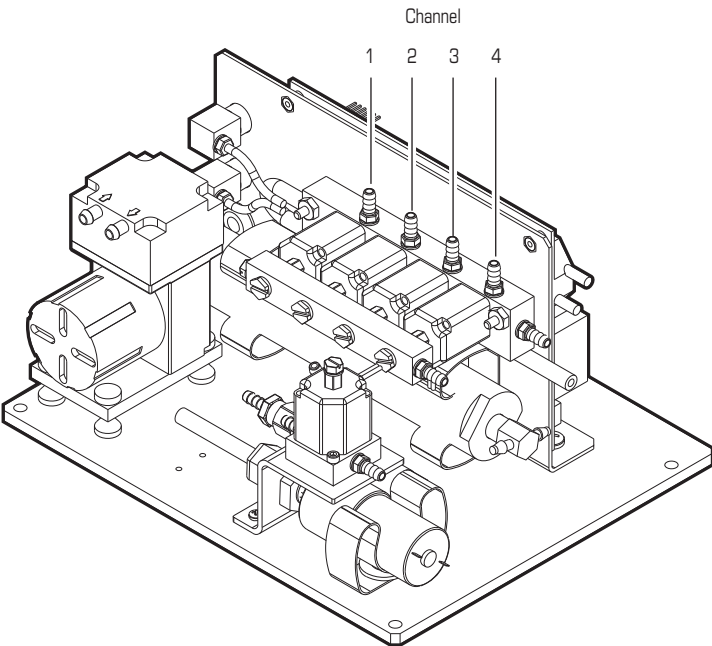


www.dimatix.com

Parameter	MPC
Power input	12 Vdc \pm 0.5V, 1Amp
Meniscus vacuum adjustment range	5 - 20 millibar [2 - 8 in. H ₂ O]
Meniscus vacuum regulation (no load)	\pm 0.6 millibar [\pm 0.25 in. H ₂ O]
Purge pressure adjustment range	70 - 700 millibar [1 - 10 PSIG]
Control	Discrete I/O
Intake capacity	60 milliliters per minute per channel

Physical Characteristics

Controller Inputs/Outputs



Dimensions:

Width 171.45 mm [6.75 in.]
 Length 211 mm [8.30 in.]
 Height 115.3 mm [4.50 in.]

Weight:

1.7 Kg [3.75 lbs.]

Product data presented above are for guideline purposes only. For design and engineering work using this product, please contact Dimatix Technical Support for the appropriate Product Manual containing full Product Specifications.



Corporate Office:
 FUJIFILM Dimatix, Inc.
 2230 Martin Avenue
 Santa Clara, CA 95050
 USA

Tel: (408) 565-9150
 Fax: (408) 565-9151
 Email: info@dimatix.com

New Hampshire Facility:
 FUJIFILM Dimatix, Inc.
 109 Etna Road
 Lebanon, NH 03766
 USA

Tel: (603) 443-5300
 Fax: (603) 448-9870
 Email: info@dimatix.com

Japan Office:
 Advanced Marking Business Division
 FUJIFILM Corporation
 Midtown West, 7-3, Akasaka 9-Chome
 Minato-ku, Tokyo 107-0002
 Japan

Tel: +81 3 6271 1091
 Fax: +81 3 6271 1165
 E-mail: front.ambd@fujifilm.co.jp

European Office:
 Tel: +44 7739 863 505
 Fax: +44 870 167 4328
 Email: euro@dimatix.com

Korean Office:
 Tel: +82 2 6242 6012
 Fax: +82 2 6247 6012
 Email: korea@dimatix.com

China Office:
 Email: china@dimatix.com