



Samba G3L Printhead

Features:

- Advanced Silicon Micro-Electro-Mechanical Systems
- 2048 nozzles per module
- 1200 native dpi/600 dpi in redundant mode
- 2.4 picoliter native drop size
- RediJet® continuous ink recirculation
- VersaDrop™ multi-level grayscale plus multi-drop and fixed drop sizes in binary mode
- Scalable, narrow to wide printbars possible
- Robust design and high speed operation
- Multi-ink compatibility

The Samba G3L printhead technology delivers the breakthrough quality, speed and scalability required for variable width, single pass production inkjet printing and materials deposition applications. Based on state-of-the-art silicon micro-electro-mechanical systems manufacturing (Si-MEMS), the Samba G3L printhead is the most advanced technology available today.

Fujifilm Dimatix continues building upon its long history of innovation with the Samba G3L printhead delivering excellent dot placement accuracy, channel-to-channel uniformity, low cross talk and high frequency/high productivity. With 2048 individually addressable nozzles, the Samba G3L printhead has 1,200 dpi native resolution (600 dpi in redundant mode) and a native ink drop size of 2.4 picoliters (pl) delivering outstanding print quality that can jet a wide range of fluids including UV curable and aqueous inks.

Scalability is the key to the Samba G3L technology, having a single head print width of 43 mm (1.7 inches) it can be easily configured to make a print bar of any width, making it an ideal choice for print application such as high quality commercial print, labels, packaging and textiles. The unique parallelogram design of the Samba nozzle plate enables simplified printhead stitching, resulting in a very narrow, 1200 dpi printbar.

Designed in collaboration with Fujifilm Graphic Systems, the highly reliable design has been field proven having been used, until now, exclusively in the Fujifilm Jet Press digital color press. The new Samba G3L printhead design is now available for use by original equipment manufacturers and integrators to incorporate into new designs with the confidence of using a highly reliable and technologically advanced printhead.

RediJet® Recirculation

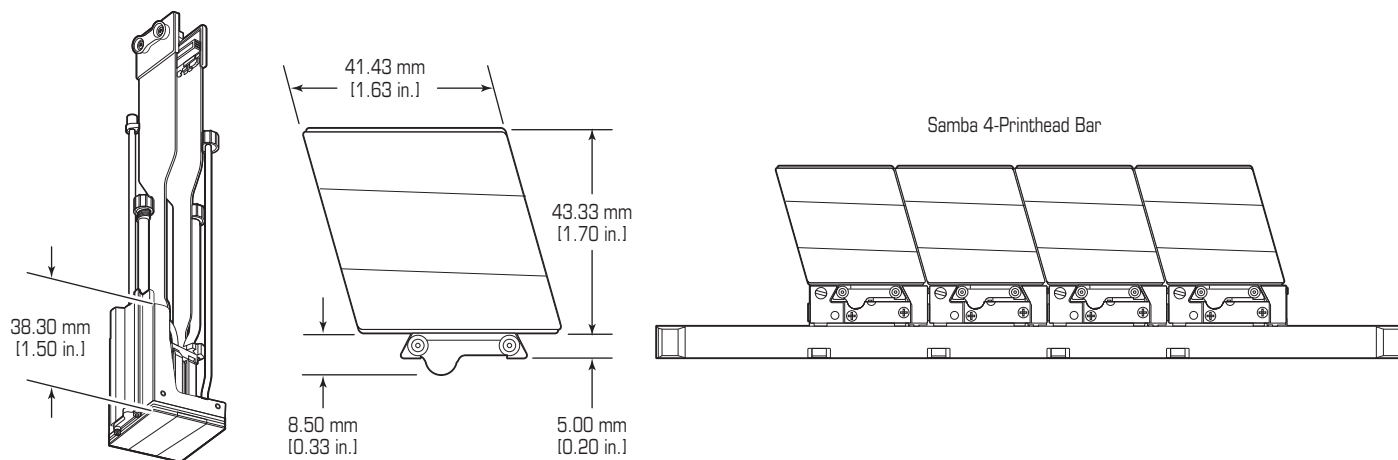
Through continuous ink recirculation directly behind the nozzle and several innovations including specialized nozzle plate geometry and coatings, and waveforms tailored to specific fluids, RediJet unlocks the full productive potential of the Samba G3L printhead. RediJet allows the printheads to be quickly and easily primed, resulting in faster time to print, minimal ink waste and greater reliability.

VersaDrop®

Fujifilm Dimatix' breakthrough VersaDrop allows multiple fixed drop sizes in binary mode and grayscale capability from one printhead, with no loss to productivity. In binary operating mode, the Samba G3L printhead is designed to eject adjustable drop sizes from 2.4 up to 13.2 picoliters and can support grayscale levels as defined by the user's control electronics.

Parameter	Samba G3L Printhead
Number of addressable Jets per module	2048
Print width	43 mm (1.7 in.) per printhead, stitch for infinite print width
Native resolution	1200 dpi/600 dpi in redundant mode
Native drop size/largest drop size	2.4 pl to 13.2 pl
Firing frequency	Up to 100 kHz
Inkjet operating temperature range	Up to 60° C
Nominal fluid viscosity	2 to 10 cPs (3 to 7 cPs recommended)
Compatible jetting fluids	UV-curable, organic solvents, aqueous, latex
Nozzle Plate technology	Silicon MEMS/ Non-wetting coating
Printhead heat type	Fluid thermal transfer
OEM accessible non-volatile memory	Included
Integral temperature sensor	Included

Physical Characteristics



Product data presented above are for guideline purposes only. For design and engineering work using this product, please contact Dimatix Technical Support for the appropriate Product Manual containing full Product Specifications.

FUJIFILM
Value from Innovation



Corporate Office:
FUJIFILM Dimatix, Inc.
2250 Martin Avenue
Santa Clara, CA 95050
USA

Tel: (408) 565-9150
Fax: (408) 565-9151
Email: info@dimatix.com

New Hampshire Facility:
FUJIFILM Dimatix, Inc.
109 Etna Road
Lebanon, NH 03766
USA

Tel: (603) 443-5300
Fax: (603) 448-9870
Email: info@dimatix.com

Japan Office:
FUJIFILM Global Graphic Systems Co., Ltd.
2-26-30 Nishiazabu
Minato-ku, Tokyo 106-0031
Japan
Advanced Marking Strategy Division
Phone: +81 3 6419 0530
Fax: +81 3 6419 9840
E-mail: dmp_ffgs@ffgs.fujifilm.co.jp

Europe Office:
Tel: +44 7739 863 505
Fax: +44 870 167 4328
Email: euro@dimatix.com

Korea Office:
Email: mdkorea@dimatix.com

Taiwan Office:
Email: mdtaiwan@dimatix.com

China Office:
FUJIFILM Dimatix China Service Center
Building 30, 1000 Jinhai Road
Pudong New Area, Shanghai
China 201206
Email: china@dimatix.com

Singapore Office:
Email: mdsingapore@dimatix.com