

Cleaning, Disinfection and Sterilization list for Bone Densitometer System

This list shows the disinfectants that can be used in the system of Bone Densitometer System. The explanation of C, N and U in the list is as follows.

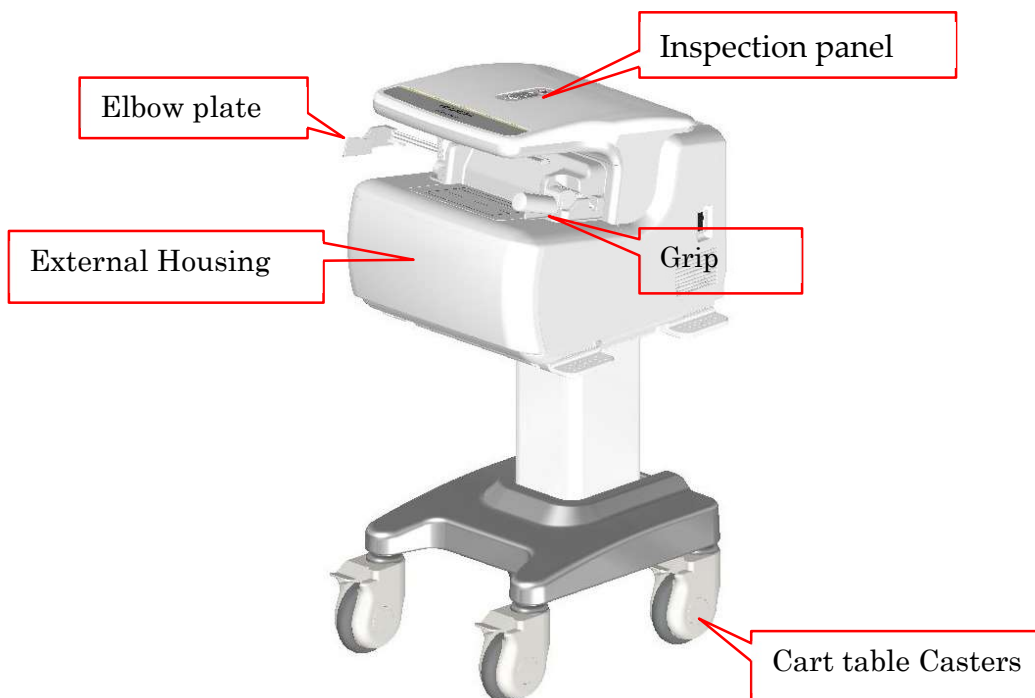
Item	Definition
C:	Compatible
C*:	Compatible. Soak the cutting cotton or gauze with alcohol and squeeze hard, and then wipe it lightly.
C*2:	Compatible. Do not wipe it strongly.
C*3:	Compatible. Soak with a small amount of liquid in the cloth and then wipe it lightly.
N:	No (do not use)
U:	Unknown/Untested

 CAUTION

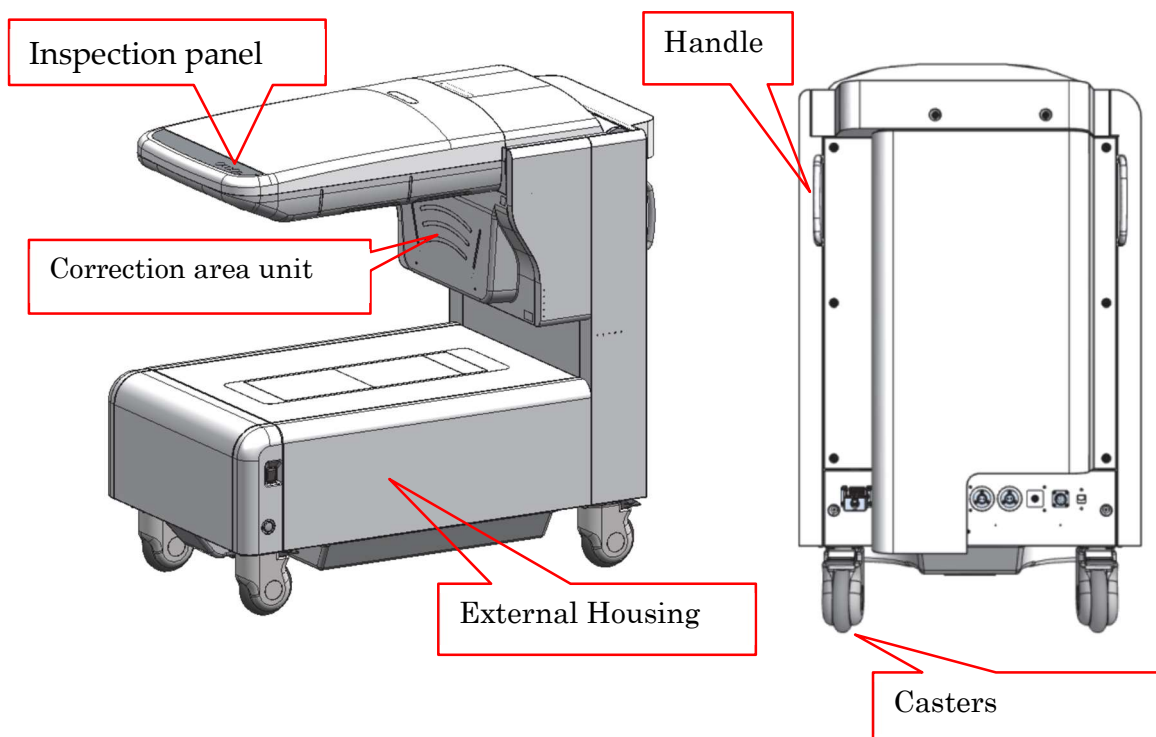
The disinfectants listed in this list guarantee resistance to the system. However, " cleaning / disinfecting / sterilizing effects " is not guaranteed. For " cleaning / disinfecting / sterilizing effects ", please refer to each disinfectants manufacturer's website, instruction manual, etc.

- Each parts of system

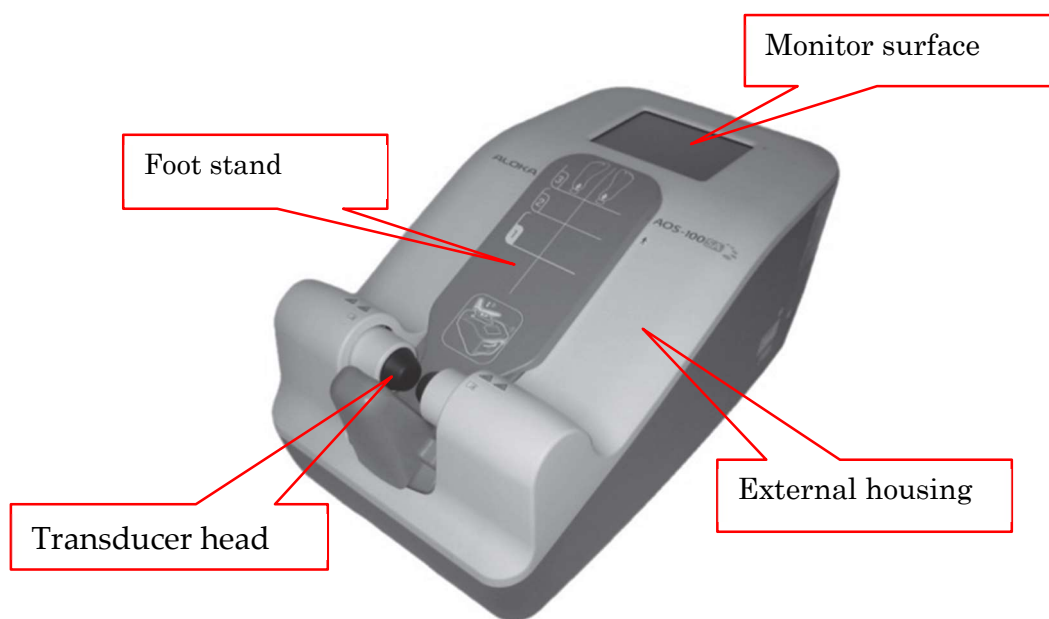
● ALOKA ALPHYS A (※See also DCS-600EXV)



● ALPHYS LF (※See also DCS-900FX)



● AOS-100SA (※See also AOS-100E)



The product names, etc. described in this material are registered trademarks or trademarks of their respective companies.

Disinfectant	Country of manufacturer	Manufacturer	Type	Inteded use	Active ingredient	ALOKA ALPHYS A					ALPHYS LF					AOS-100SA			AOS-100E			DCS-900FX					DCS-600EXV				
						Inspection panel	Grip, Elbow plate	Cart table	Casters	External housing	Inspection panel	Correction area unit	Handle	Casters	External housing	Transducer head	Foot stand	Monitor surface	External housing	Transducer head	Foot stand	External housing	Inspection panel	Correction area unit	Handle	Casters	External housing	Inspection panel	Grip	Elbow plate	Casters
ハクゾウ環境クロスVロック	JPN	HAKUZO Medical (ハクゾウメディカル)	Wipe	disinfectant	Quaternary ammonium salt (第4級アンモニウム塩)	C	C	C	C	C	C	C	C	C	C	C	C	C	C	C	C	C	C	C	C	C	C	C	C	C	
サラヤ環境清拭クロス	JPN	SARAYA (サラヤ)	Wipe	disinfectant	Quaternary ammonium salt (第4級アンモニウム塩)	C	C	C	C	C	C	C	C	C	C	C	C	C	C	C	C	C	C	C	C	C	C	C	C	C	
セイフキープ	JPN	KAO (花王)	Wipe	disinfectant	Quaternary ammonium salt (第4級アンモニウム塩)	C	C	C	C	C	C	C	C	C	C	C	C	C	C	C	C	C	C	C	C	C	C	C	C	C	
クリンクリンII	JPN	TOWA CORPORATION (東和コーポレーション)	Wipe	disinfectant	Benzalkonium Chloride (塩化ベンザルコニウム)	U	U	U	U	U	U	U	U	U	U	U	U	U	U	U	U	U	U	U	U	U	U	U	U	U	
HydroAG+	JPN	FUJIFILM (富士フイルム株式会社)	Wipe / Liquid	antibacterial	Ethanol	C	C	C	C	C	C	C	C	C	C	C	C	C	C	C	C	C	C	C	C	C	C	C	C	C	
Sodium hypochlorite	-		Liquid	disinfectant	Sodium hypochlorite (次亜塩素酸ナトリウム)	C	C	C	C	C	C	C	C	C	C	C	C	C	C	C	C	C	C	C	C	C	C	C	C	C	
Ethyl alcohol max. 80% vol.	-		Liquid	disinfectant	Ethanol	C	C	C	C	C	C	C	C	C	C	C	C	C	C	C	C	C	C	C	C	C	C	C	C	C	
Isopropyl alcohol max. 80% vol.	-		Liquid	disinfectant	Propanol	C	C	C	C	C	C	C	C	C	C	C	C	C	C	C	C	C	C	C	C	C	C	C	C	C	