

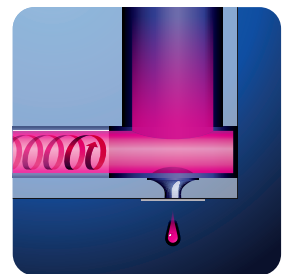


## STARFIRE® SG1024 Aqueous Ceramic Printhead

The STARFIRE® SG1024 AQMH and AQLH printheads are high performance, drop-on-demand inkjet printheads designed to meet high environmental standards for emissions and low energy consumption. This new STARFIRE printhead is purpose-built for today's high-speed, single-pass print systems that use a new generation of aqueous ink with improved quality and productivity. The new STARFIRE printhead features single color operations at resolutions up to 400dpi.

### Trusted STARFIRE Design

- Built upon the durable and productive STARFIRE printhead platform
- Versadrop technology for binary and grayscale printing
- Open waveform architecture for precise drop formation, uniformity and ink volume to meet print speed and quality requirements
- Maintenance friendly repairable design
- Fast priming provided by patented multi-level REDIJET® ink recirculation technology
- Compatible with new water-based inks that support sustainability of ceramic tile production including:
  - Intense colors
  - Low emissions and VOCs
  - Optimal kiln productivity
  - Meet evolving environmental standards

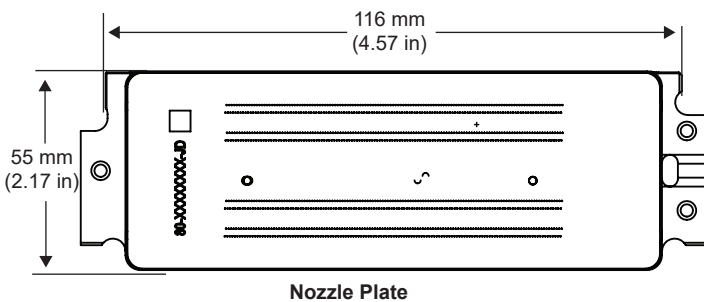
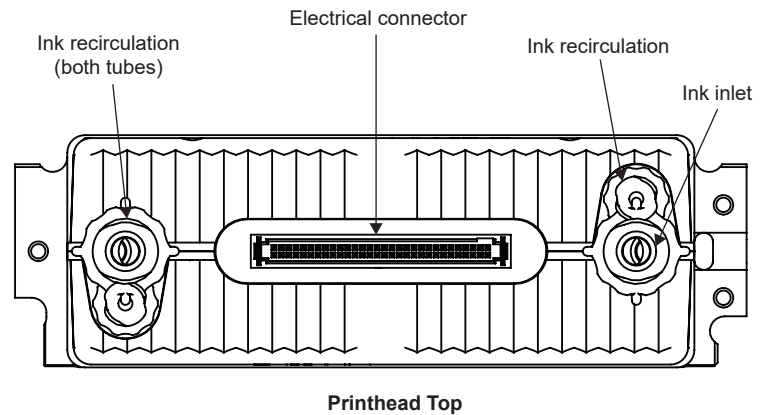
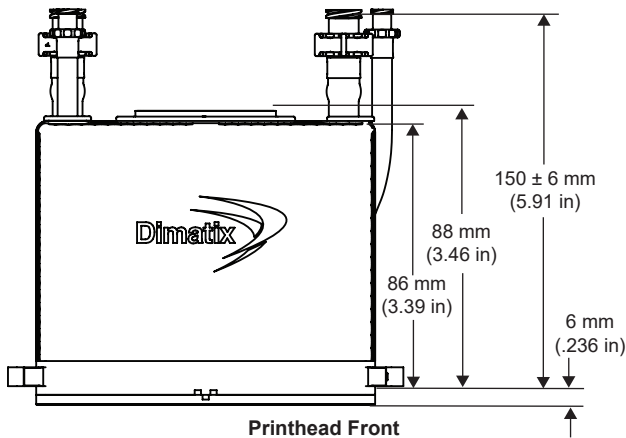


# Technical Specifications

## STARFIRE SG1024 AQ Ceramic Printhead

Number of addressable Jets per module	1024
Print width	64.98 mm (2.56 in)
Native resolution	400 dpi
Firing frequency	MH Up to 30 kHz   LH: Up to 20 kHz
Compatible fluids	Aqueous ceramic inks
Printhead heating	Integrated heater, thermal transfer
Inkjet operating temperature range	Up to 50°C (122°F)
Nozzle plate technology	Metal
Max productivity	MH: 900 ng-kHz, 12-33 ng drops   LH: 1500 ng-kHz, 80-200 ng drops
Native drop size	MH: 12 pl   LH: 80 pl
Largest drop size	MH: 33 pl   LH: 200 pl
Viscosity range	10-11 cP (values outside this range may also be acceptable)
Temperature sensor	Included
OEM accessible non-volatile memory	64 byte rewritable

## Physical Characteristics



Scan to learn more!

Technical specifications and physical characteristics presented above estimates only. For design and engineering work using this STARFIRE printhead, please contact Dimatix Technical Support for the appropriate Product Manual containing full Product Specifications.

**FUJIFILM**



**Corporate Office:**  
FUJIFILM Dimatix, Inc.  
2250 Martin Avenue  
Santa Clara, CA 95050  
USA  
Tel: 1 (408) 565-9150  
Email: info@dimatix.com

**New Hampshire Facility:**  
FUJIFILM Dimatix, Inc.  
109 Etna Road  
Lebanon, NH 03766  
USA  
Tel: 1 (603) 443-5300  
Email: info@dimatix.com

**Inkjet Business Division:**  
FUJIFILM Corporation  
Fujifilm Nishiazabu Bldg.,  
2-26-30 Nishiazabu  
Minato-ku, Tokyo 106-0031 Japan  
Tel: +81 3 6419 0530  
Email: ff-inkjet@fujifilm.com

**China Office:**  
FUJIFILM Dimatix China Service Center  
Building 30, 1000 Jinhai Road  
Pudong New Area, Shanghai  
China 201206  
Email: china@dimatix.com

**Europe Office:**  
Email: euro@dimatix.com

**Korea Office:**  
Email: mdkorea@dimatix.com

**Singapore Office:**  
Email: mdsingapore@dimatix.com

**Taiwan Office:**  
Email: mdtaiwan@dimatix.com

FUJIFILM and the FUJIFILM logo, DIMATIX, STARFIRE and the STARFIRE logo, REDIJET and the REDIJET logo are trademarks of FUJIFILM Corporation and its affiliates.

© 2022 FUJIFILM Dimatix, Inc. All rights reserved.