

## ■ Specifications

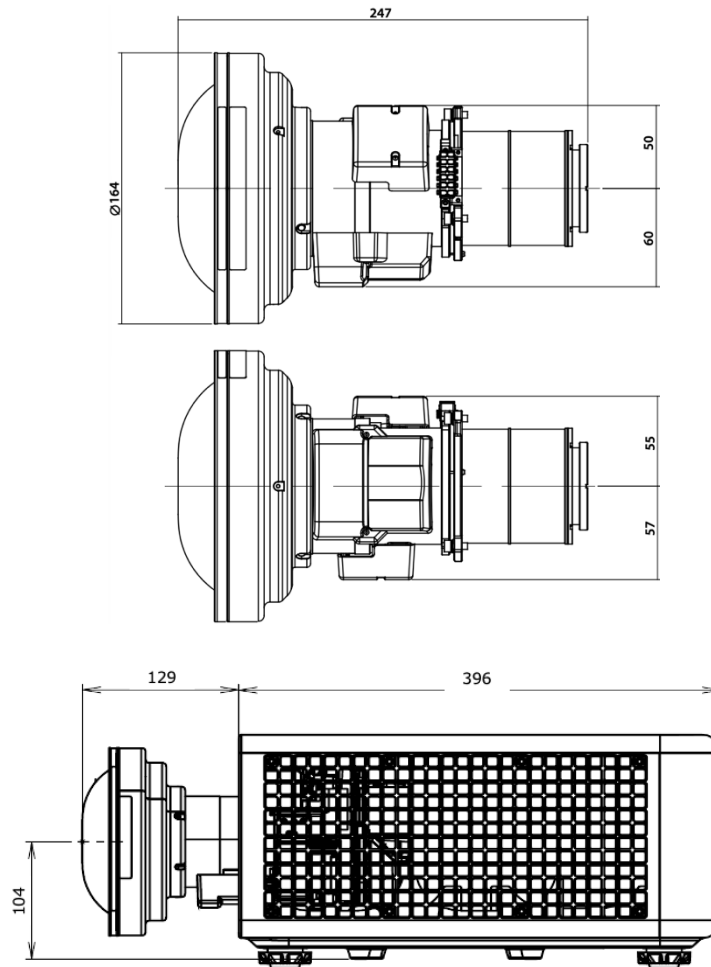
• Product specifications and appearance are subject to change without advance notice.

<b>Model name</b>		<b>FP-ZL050</b>
Lens shift		Electrical: Vertical $\pm 53\%$ , Horizontal $\pm 25\%$
Optical zoom		Electrical: x1.0-x1.3
Throw ratio(TR)*1		0.50(Wide)-0.65(Telephoto)
Focal length		f=8.99 mm (Wide)-11.6 mm (Telephoto)
F No.		F2.0(Wide)-F2.2(Telephoto)
Keystone correction range		Vertical $\pm 10^\circ$ / Horizontal $\pm 20^\circ$
Projected image size (Optical)		80-300 inches
Projected image size (Mechanical)*2		80-500 inches
Dimensions		$\phi 164$ mm (W) x 247 mm (L)
Weight		Approx. 2.3 kg (5.1 lb)
Operating environment	Operating temperature	0-40 °C (32-104 °F)
	Storage temperature	-20-60 °C (-4-140 °F)
Accessories included	Front lens cover	
	Rear lens cover	
	Instruction manual	
Lens adaptor		Not required
Applicable projector		FP-ZUH12000

\*1 Throw ratio is the throw distance divided by the screen width.

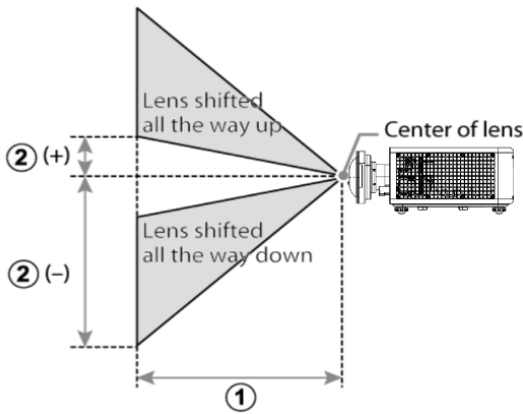
\*2 When projecting beyond the "Projected image size (Optical)," the specified resolution may not be achieved across the entire screen, even after focus adjustment for a specific area.

## ■ Dimensions

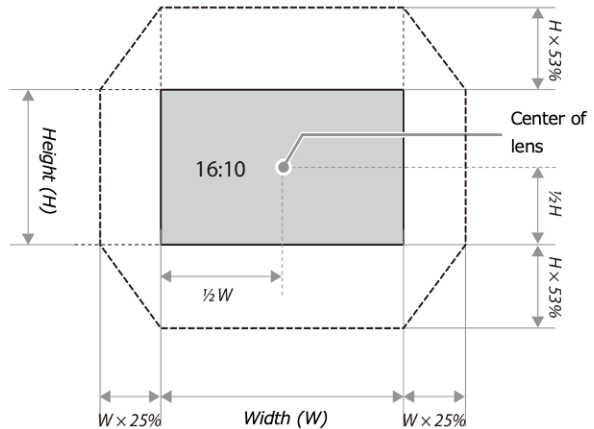


Unit: mm

■ Projection distance



■ Lens shift range



■ Projection distance tables

- Figures are approximate, differing from the actual values by a few percent.
- More details on projection distance are available via a simulator on the Fujifilm website.

<https://optics.fujifilm.com/projector/simulator/zuh12000/en.html>

[Screen aspect ratio 16:10]

Projection lens Model No.		FP-ZL050					
Throw ratio(TR)*1		0.50 - 0.65					
Screen dimensions (16:9)		①Projection distance (cm/in)		②Vertical shift (cm/in)			
Diagonal (in)	W (cm/in) × H (cm/in)	Min.	Max.	Low	High	Low	High
		Zoom	Zoom	Zoom	Zoom	Zoom	Zoom
80	172 × 108	84	110	-111	+3		
	67.8 × 42.4	33.1	43.4	-43.7	+1.3		
90	194 × 121	95	125	-125	+4		
	76.3 × 47.7	37.5	49.0	-49.1	+1.4		
100	215 × 135	106	139	-139	+4		
	84.8 × 53.0	41.8	54.7	-54.6	+1.6		
120	258 × 162	128	168	-166	+5		
	101.8 × 63.6	50.5	66.1	-65.5	+1.9		
150	323 × 202	161	211	-208	+6		
	127.2 × 79.5	63.6	83.1	-81.9	+2.4		
180	388 × 242	195	254	-250	+7		
	152.6 × 95.4	76.6	100.2	-98.3	+2.9		
200	431 × 269	217	283	-277	+8		
	169.6 × 106.0	85.3	111.6	-109.2	+3.2		
250	538 × 337	272	355	-347	+10		
	212.0 × 132.5	107.0	140.0	-136.5	+4.0		
300	646 × 404	327	428	-416	+12		
	254.4 × 159.0	128.7	168.4	-163.8	+4.8		
350	754 × 471	382	500	-485	+14		
	296.8 × 185.5	150.5	196.8	-191.1	+5.6		
400	862 × 539	437	572	-555	+16		
	339.2 × 212.0	172.2	225.2	-218.4	+6.4		

[Screen aspect ratio 16:9]

Projection lens Model No.		FP-ZL050					
Throw ratio(TR)*1		0.50 - 0.65					
Screen dimensions (16:9)		①Projection distance (cm/in)		②Vertical shift (cm/in)			
Diagonal (in)	W (cm/in) × H (cm/in)	Min.	Max.	Low	High	Low	High
		Zoom	Zoom	Zoom	Zoom	Zoom	Zoom
80	177 × 100	86	113	-108	+9		
	69.7 × 39.2	34.1	44.6	-42.7	+3.5		
90	199 × 112	98	128	-122	+10		
	78.4 × 44.1	38.5	50.4	-48.0	+3.9		
100	221 × 125	109	143	-136	+11		
	87.2 × 49.0	43.0	56.3	-53.4	+4.4		
120	266 × 149	132	173	-163	+13		
	104.6 × 58.8	51.9	67.9	-64.1	+5.2		
150	332 × 187	166	217	-203	+17		
	130.7 × 73.5	65.3	85.5	-80.1	+6.5		
180	398 × 224	200	262	-244	+20		
	156.9 × 88.2	78.7	103.0	-96.1	+7.8		
200	443 × 249	223	291	-271	+22		
	174.3 × 98.1	87.7	114.6	-106.8	+8.7		
250	553 × 311	279	365	-339	+28		
	217.9 × 122.6	110.0	143.8	-133.5	+10.9		
300	664 × 374	336	440	-407	+33		
	261.5 × 147.1	132.3	173.0	-160.2	+13.1		
350	775 × 436	393	514	-475	+39		
	305.0 × 171.6	154.7	202.2	-186.8	+15.3		
400	886 × 498	450	588	-542	+44		
	348.6 × 196.1	177.0	231.4	-213.5	+17.4		

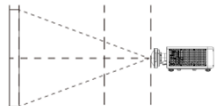
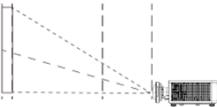
**[Screen aspect ratio 4:3]**

Projection lens Model No.			FP-ZL050			
Throw ratio(TR)*1			0.50 - 0.65			
Screen dimensions (16:9)			①Projection distance (cm/in)		②Vertical shift (cm/in)	
Diagonal (in)	W (cm/in) × H (cm/in)		Min.	Max.	Low	High
			Zoom	Zoom		
80	163 × 122		86	113	-126	+4
	64.0 × 48.0		34.1	44.6	-49.4	+1.4
90	183 × 137		98	128	-141	+4
	72.0 × 54.0		38.5	50.4	-55.6	+1.6
100	203 × 152		109	143	-157	+5
	80.0 × 60.0		43.0	56.3	-61.8	+1.8
120	244 × 183		132	173	-188	+5
	96.0 × 72.0		51.9	67.9	-74.2	+2.2
150	305 × 229		166	217	-235	+7
	120.0 × 90.0		65.3	85.5	-92.7	+2.7
180	366 × 274		200	262	-283	+8
	144.0 × 108.0		78.7	103.0	-111.2	+3.2
200	406 × 305		223	291	-314	+9
	160.0 × 120.0		87.7	114.6	-123.6	+3.6
250	508 × 381		279	365	-392	+11
	200.0 × 150.0		110.0	143.8	-154.5	+4.5
300	610 × 457		336	440	-471	+14
	240.0 × 180.0		132.3	173.0	-185.4	+5.4
350	711 × 533		393	514	-549	+16
	280.0 × 210.0		154.7	202.2	-216.3	+6.3
400	813 × 610		450	588	-628	+18
	320.0 × 240.0		177.0	231.4	-247.2	+7.2

※1 Figures are approximate, differing from the actual values by a few percent.

■ **Geometric Correction Range**

Figures are approximations and may vary from the actual values by a few percent. Adjustments to focus may fail to produce the desired results at higher values.

Lens shift position	Keystone correction		Screen curvature correction			
	(1) Horizontal Correction angle "A"	(2) Vertical Correction angle "B"	(3) Concave horizontal Minimum R/L value	(4) Concave vertical Minimum R/L value	(5) Convex horizontal Minimum R/L value	(6) Convex vertical Minimum R/L value
V±0% vertical (V), H±0% horizontal (H) 	±20°	±10°	1.24	0.80	4.33	1.67
V+50% vertical (V), H±0% horizontal (H) 	-	-	3.72	-	4.33	-

