

■ Specifications

Product specifications and appearance are subject to change without advance notice.

Model name		FP-ZUH12000	
DLP® chip	Size	0.8 in, 16:10 aspect ratio	
	Display method	1 Chip DLP®	
	Number of pixels	2,304,000 pixel (1920 x 1200)	
Lens		Optional Lenses (Sold separately)	
Light source		Laser diode	
Brightness (ANSI lm)*1		12,000 lm / 12,400 lm (Center)*2	
Light source life*3		Up to about 20,000 hours	
Contrast ratio*4		25,000:1	
Maximum display resolution(WxH)		4K 3840 x 2400 (4K mode ON)	
Terminals	Video IN	HDMI® 1	TypeA HDMI® 2.0 (Compatible with HDCP 2.3)
		HDMI® 2	TypeA HDMI® 2.0 (Compatible with HDCP 2.3)
		HDBaseT™	RJ-45 HDBaseT™ 3.0
	Video OUT	SDI	BNC 12G/3G SDI
		HDMI®	TypeA HDMI® 2.0 (Compatible with HDCP 2.3)
	Control	SDI	BNC 12G/3G SDI
		LAN	RJ-45 for network connection (10BASE-T/100Base-TX)
		HDBaseT™	RJ-45 for projector connection control
	Remote IN	RS-232C	D-Sub 9Pin male for projector connection control
		REMOTE	M3.5 mm stereo mini jack for wired remote control
Others	USB	TypeA DC 5V 2A(Max), for maintenance	
Power supply		AC 100-120V, AC 220-240V 50/60 Hz	
Power consumption	Maximum	900 W	
	Normal	780 W	
	Eco	400 W	
	Standby	Approx.0.5 W	
	Network standby	Approx.8.0 W	
Dimensions		535 mm (W) x 396 mm (D) x 189 mm (H) (Excluding adjustable feet and protruding parts)	
Weight		Approx.18.1 kg(39.9 lb)	
Noise level*5	Normal	38 dB	
	Eco	36 dB	
Operating environment	Operating temperature	0-40 °C (32-104 °F)	
	Operating humidity	10-85% (without condensation)	
	Storage temperature	-20-60 °C (-4-140 °F)	
Accessories included	Power cord 3.0m (9.8ft)		
	Lens adapter(for FP-ZL034)		
	Adapter cap		
	Body cap		
	Remote control unit		
	Remote control battery (AAA type x2)		
Basic manual			

*1 Brightness value is the average for this model at the time of shipment, based on ANSI standards.

Measured with optional FP-ZL125 lens at 100% Light Output and "Bright" Picture Mode.

*2 Brightness in the center area of the screen, measured with optional FP-ZL125 lens at 100% Light Output and "Bright" Picture Mode.

*3 The estimated time taken for the light source brightness to decrease by half. Varies with the operating environment and conditions of use.

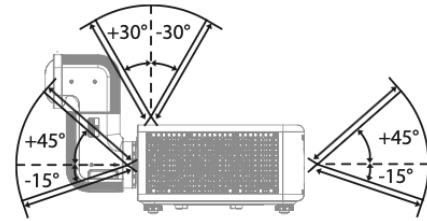
*4 Based on "Dynamic Black" being ON.

*5 Acoustic noise level is measured in accordance with ISO 7779.

■ Remote control unit

Model name	FPA-RC3
Power supply	DC3V (AAA type x2)
Receiving angle	Top $\pm 30^\circ$. Front and Rear -15° - $+45^\circ$
Receiving distance	Approx. 12.0 m (39.4ft)
Dimensions	45 x 200 x 20 mm (1.8 x 7.8 x 0.8 in)
Weight	Approx. 87g (0.19 lb) (without battery)

■ Remote control receiving range



■ Software(Free)

- Warping and Blending Tool for FP-ZUH series (Windows OS) : Software for setting geometric correction and edge blending.
- FUJIFILM PROJECTOR MANAGEMENT TOOL : For managing and controlling FUJIFILM projector products over a network.

■ Optional lens

Zoom lens (TR* ⁶)	FP-ZL034 (0.34-0.41)
	FP-ZL050 (0.50-0.65)
	FP-ZL125 (1.25-2.00)

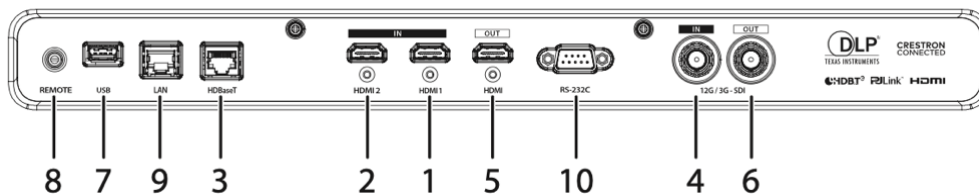
※6 Throw ratio is the throw distance divided by the screen width.

■ Accessories

Ceiling mount bracket* ⁷ (6-axis adjustment)	FPM-KZ100S
Dust filter	FP-AF60A (Filter set) / AF60F (Filter)

※7 Ceiling installations should be performed only by qualified technicians.

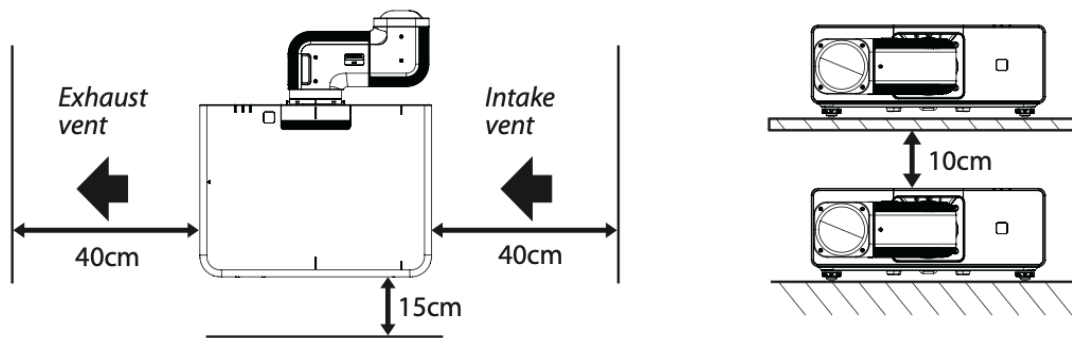
■ Terminals



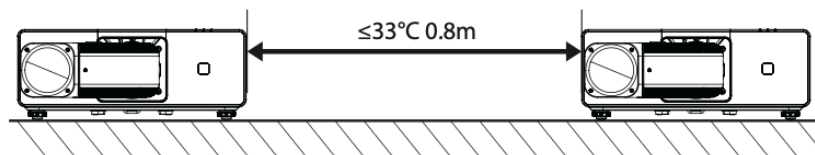
1	HDMI [®] 1 IN
2	HDMI [®] 2 IN
3	HDBaseT [™]
4	12G/3G SDI IN
5	HDMI [®] OUT
6	12G/3G SDI OUT
7	USB
8	REMOTE
9	LAN
10	RS-232C

■ Notes on projector installation

- When installing the projector, choose a location where the vents will be a safe distance from walls or other obstructions. When installing units one above another, for example on shelves, leave no less than approximately 10 cm (0.33 ft) between the shelves and the wall.
- When installing two or more projectors side-by-side, please maintain installation spacing suitable for the environmental temperature (the ambient temperature). You will also need to ensure that the warm air from the exhaust vent does not enter any of the projectors' intake vents.
- Do not obstruct the vents. The build-up of heat inside the projector could cause fire.
- After startup, the image may shift by a few pixels until the lens temperature stabilizes. Check the image after 30 minutes to 1 hour. Do not adjust blending until stabilization is complete. If the projector is installed in a location where heat builds up, the image may become unstable. Please ensure that the installation meets the following conditions.



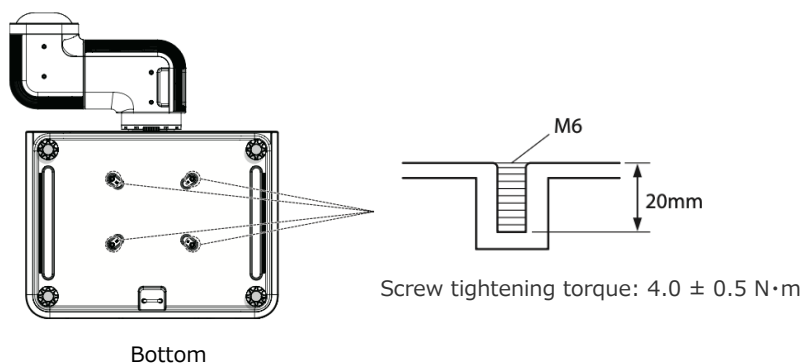
Environmental temperature (Ambient temperature)	Installation Spacing
≤ 33 °C	0.8 m ≤
≤ 34 °C	1.0 m ≤
≤ 39 °C	2.0 m ≤



■ Ceiling mount installation precautions

- When suspending the projector from the ceiling, be sure to use the specified ceiling mount.
- When installing the projector, attach the drop-prevention kit included with the ceiling mount. Refer to your dealer if you require a drop-prevention kit.
- Ceiling installations should be performed only by qualified technicians.
- See the ceiling mount installation instructions for details.

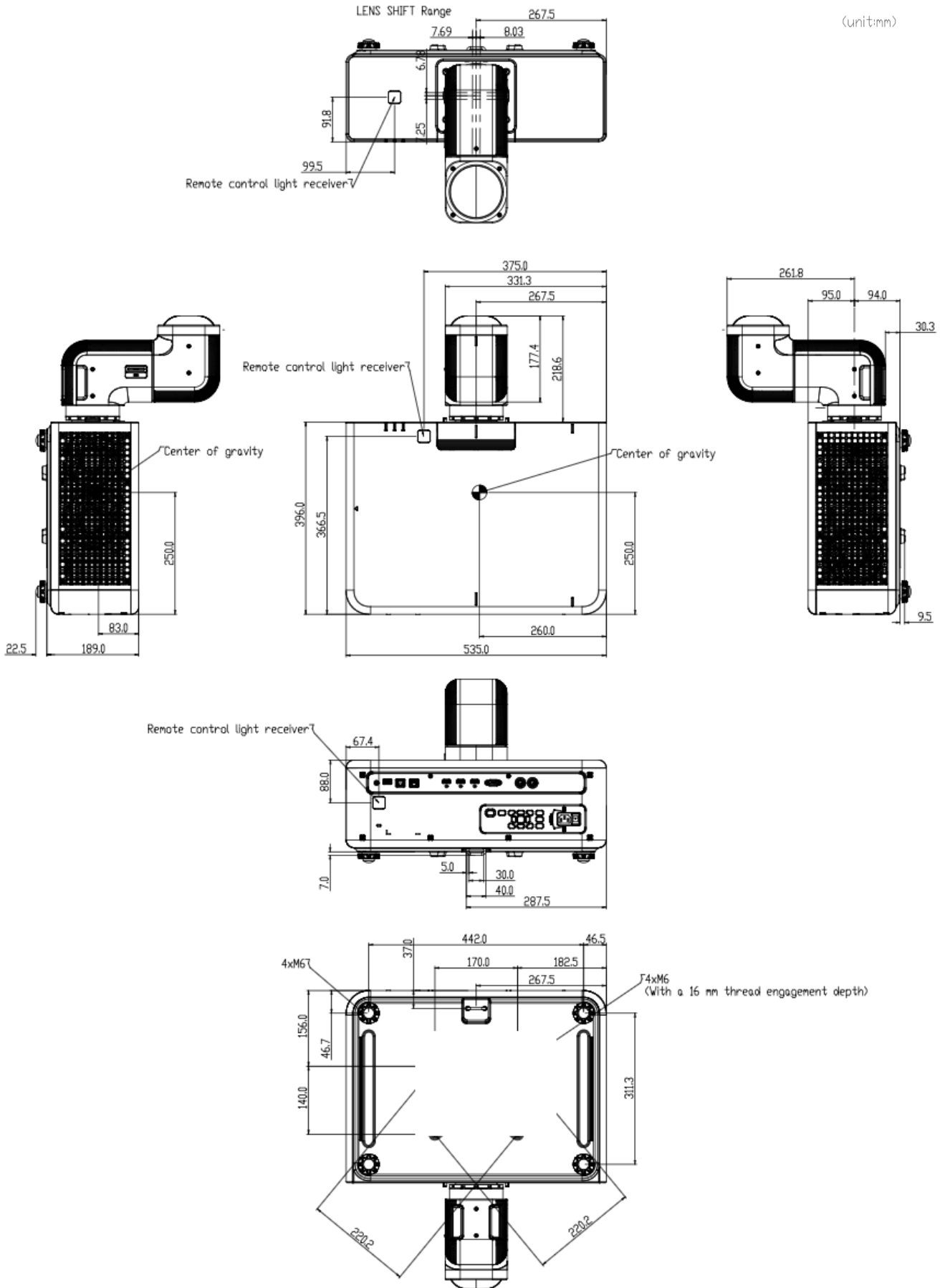
Ceiling Mount Screw Specifications



■ Dimensions 1: With Zoom Lens FP-ZL034 attached

Lens setting: Mount axis 90° / Lens axis 180°

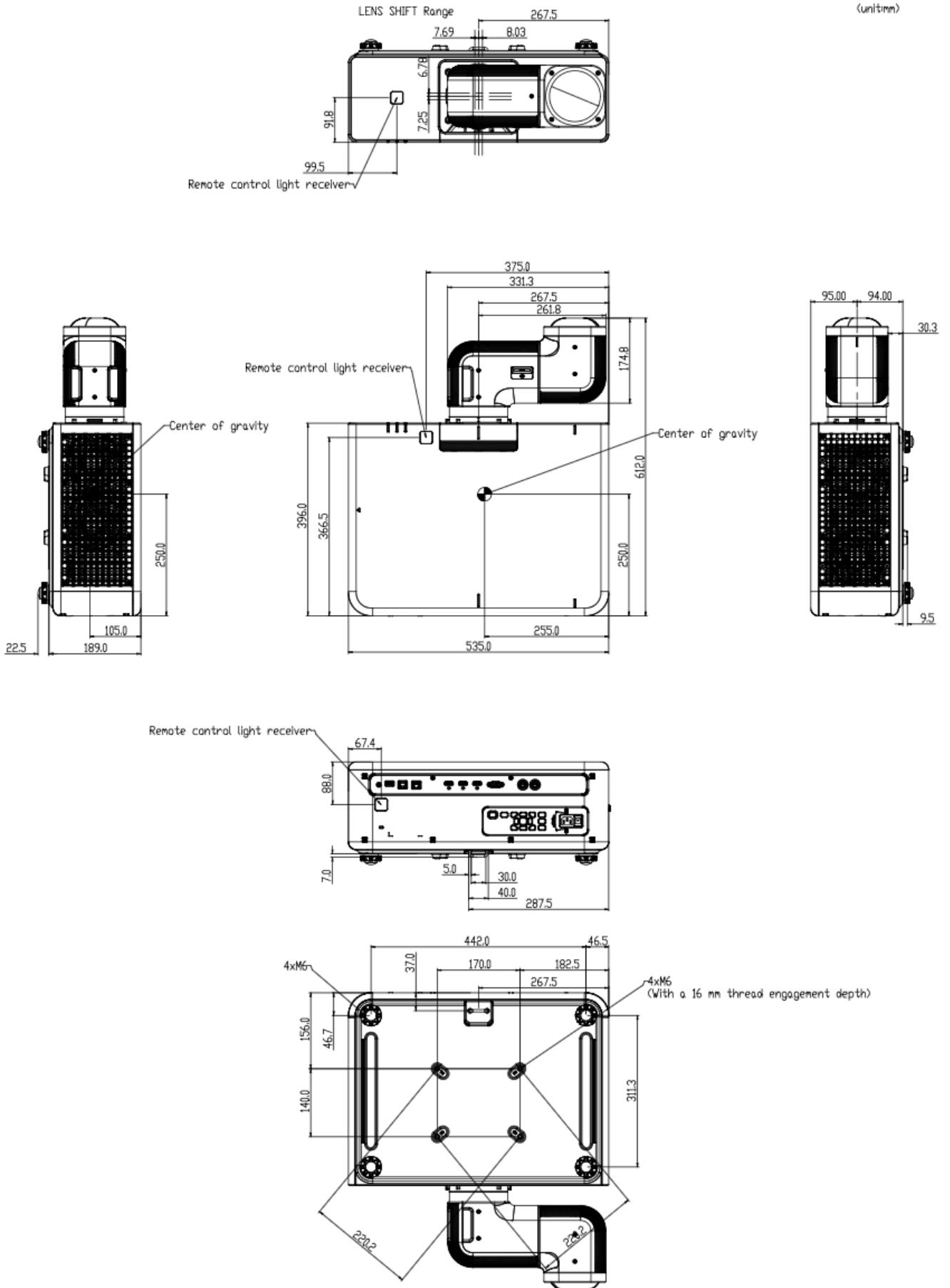
(unit:mm)



■ Dimensions 2: With Zoom Lens FP-ZL034 attached

Lens setting: Mount axis 0° / Lens axis 180°

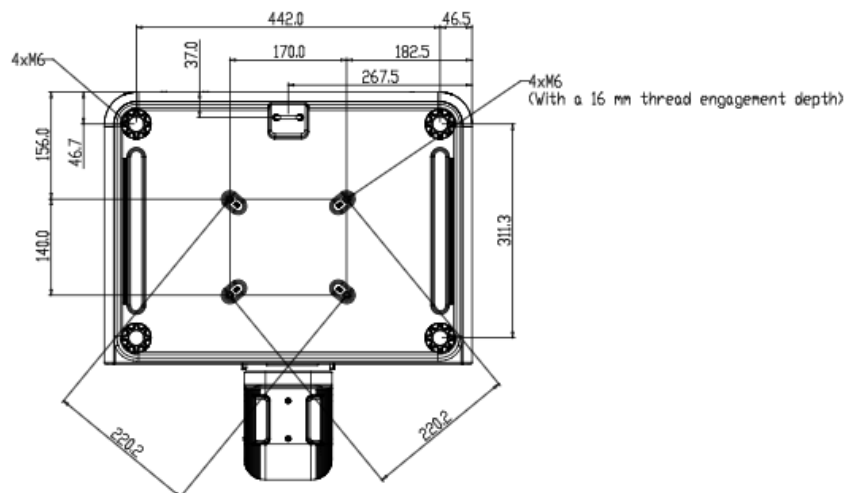
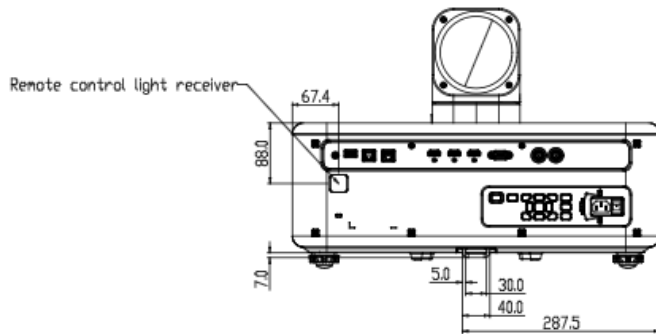
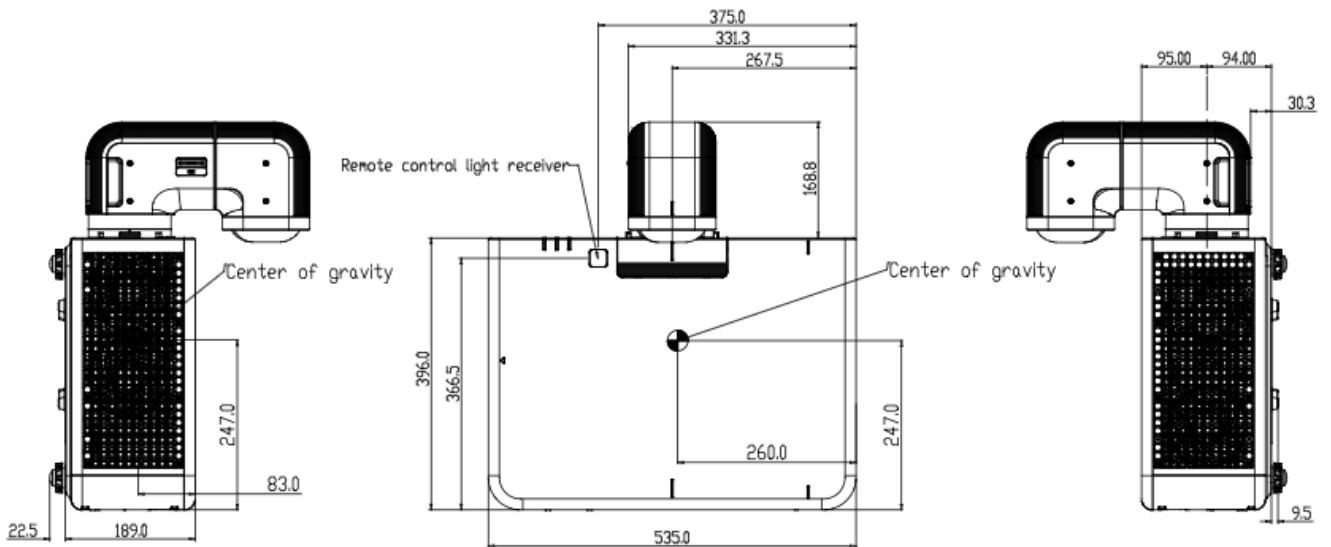
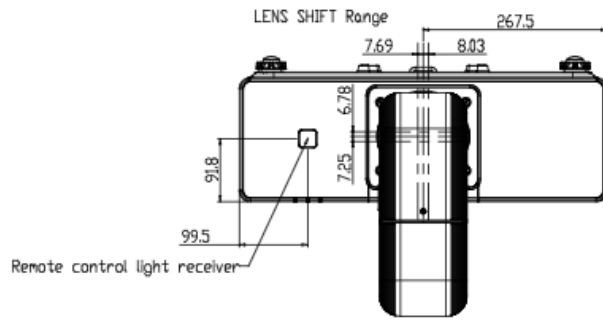
(unit:mm)



■ Dimensions 3: With Zoom Lens FP-ZL034 attached

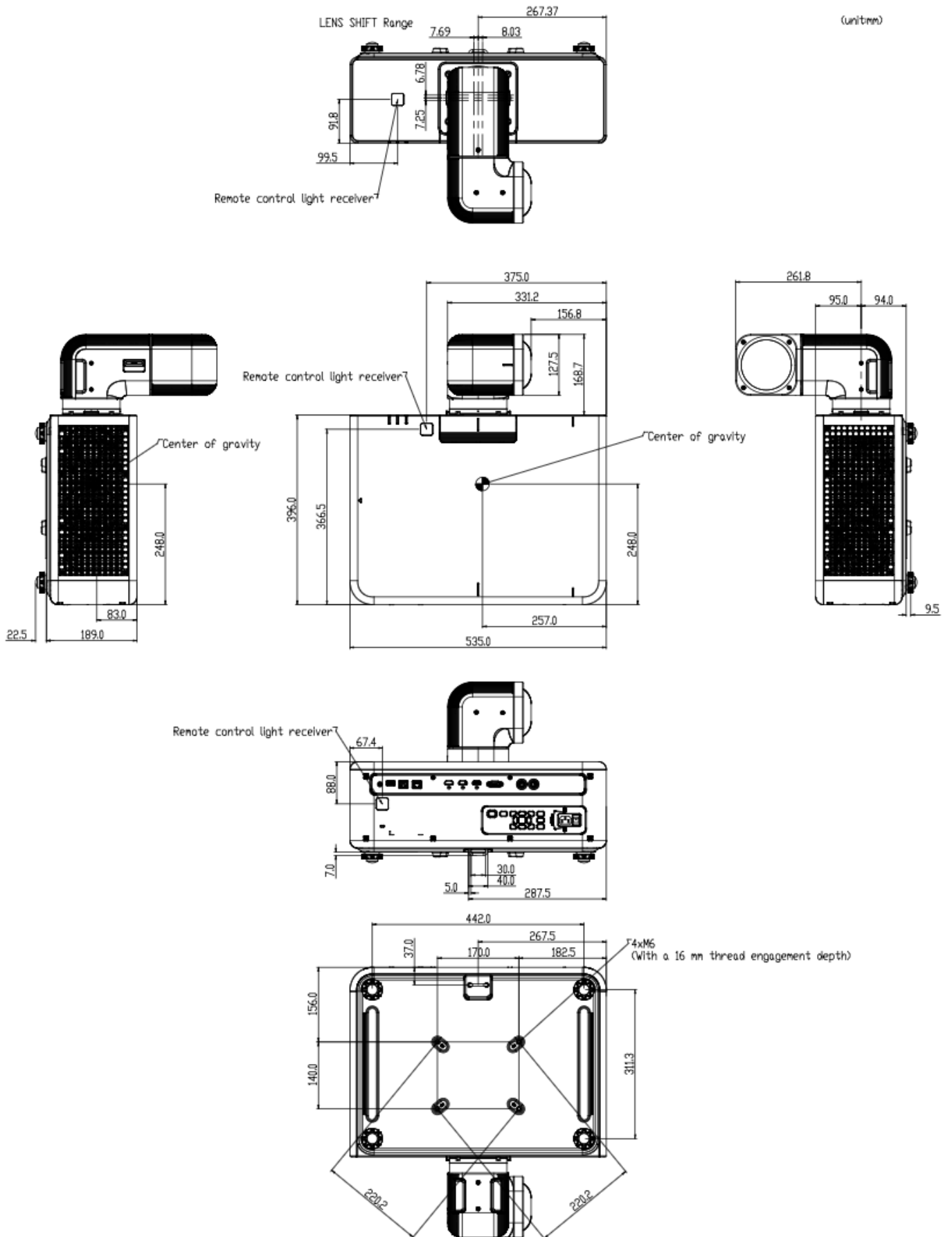
Lens setting: Mount axis 90° / Lens axis 0°

(unit:mm)



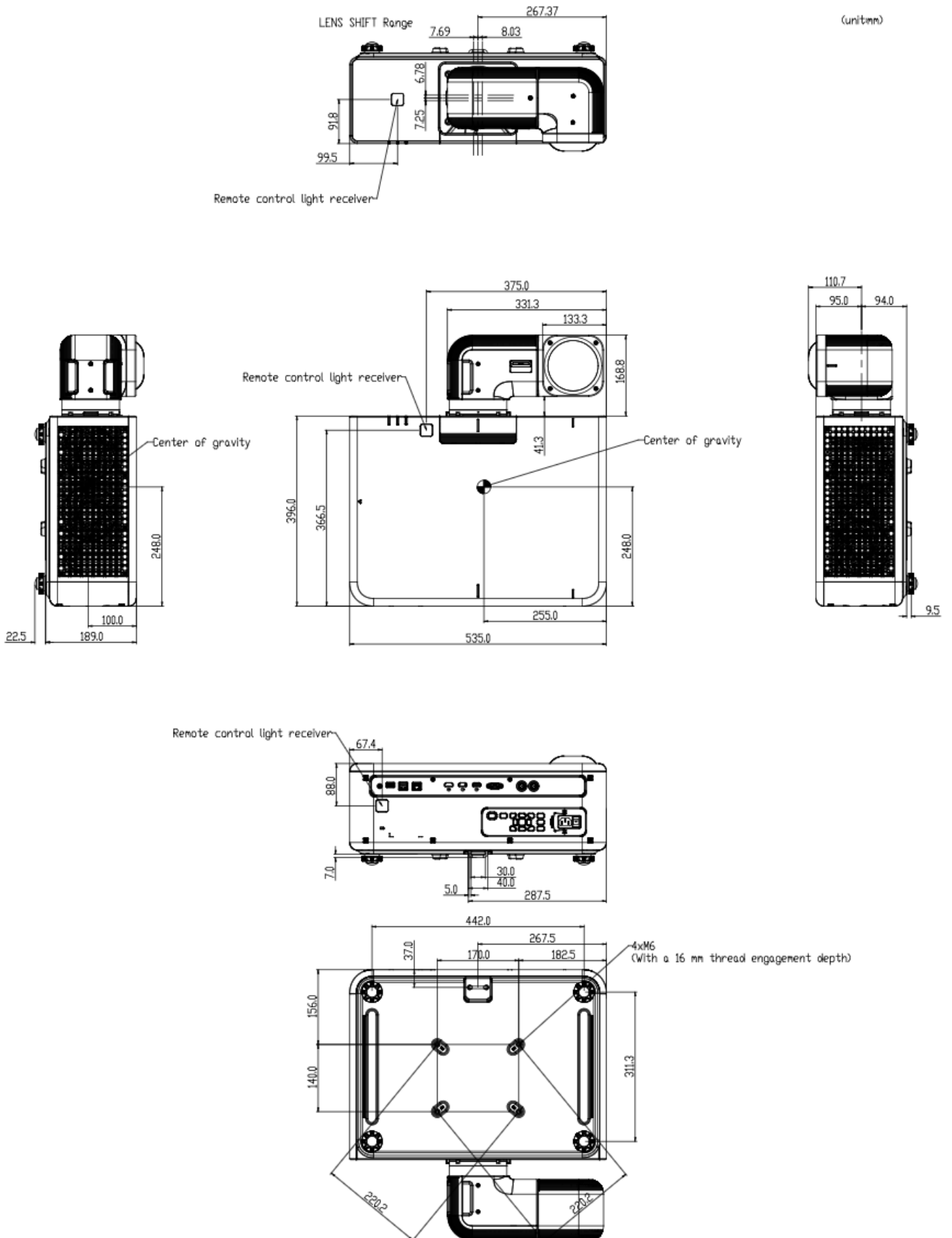
■ Dimensions 4: With Zoom Lens FP-ZL034 attached

Lens setting: Mount axis 90° / Lens axis 270°



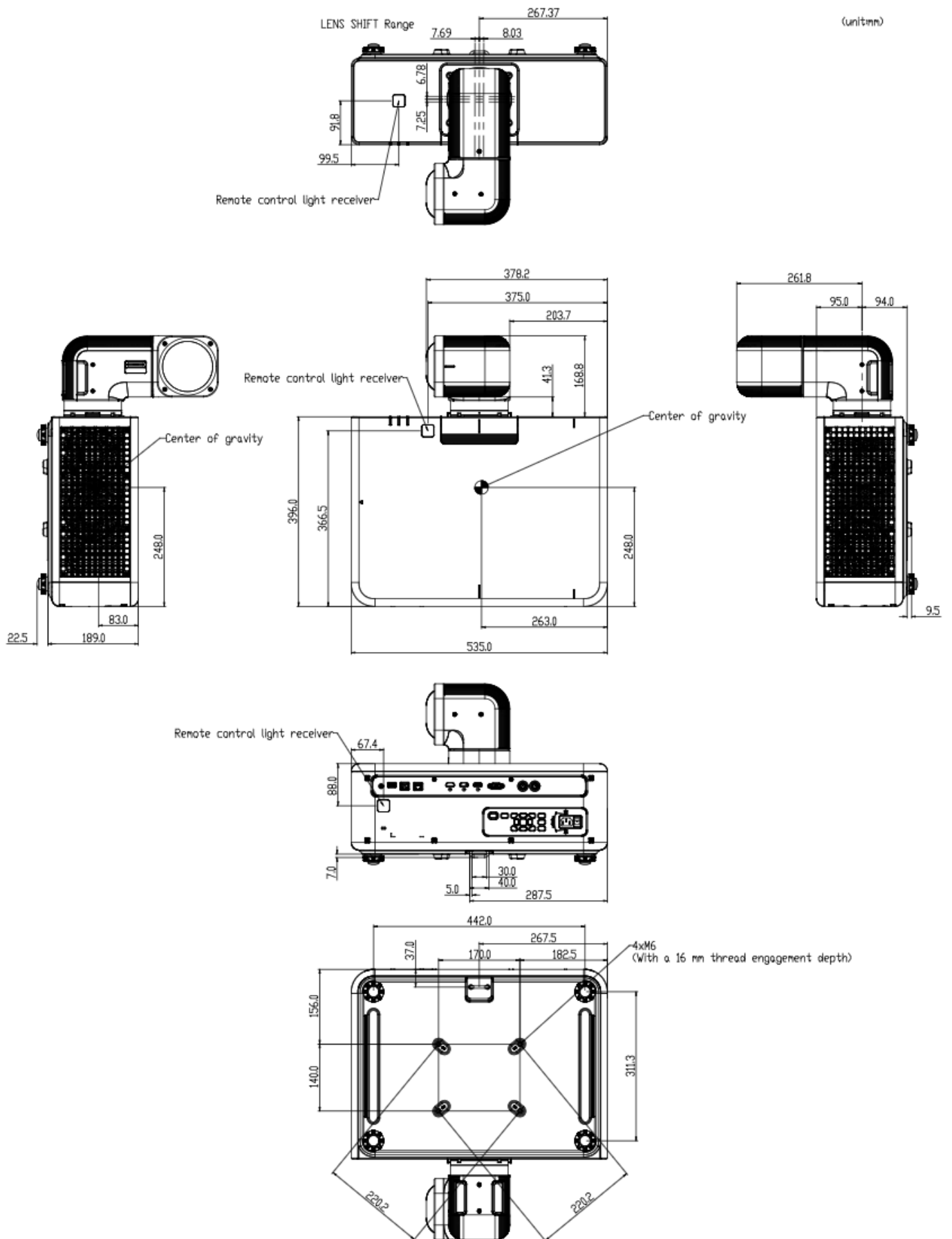
■ Dimensions 5: With Zoom Lens FP-ZL034 attached

Lens setting: Mount axis 0° / Lens axis 90°



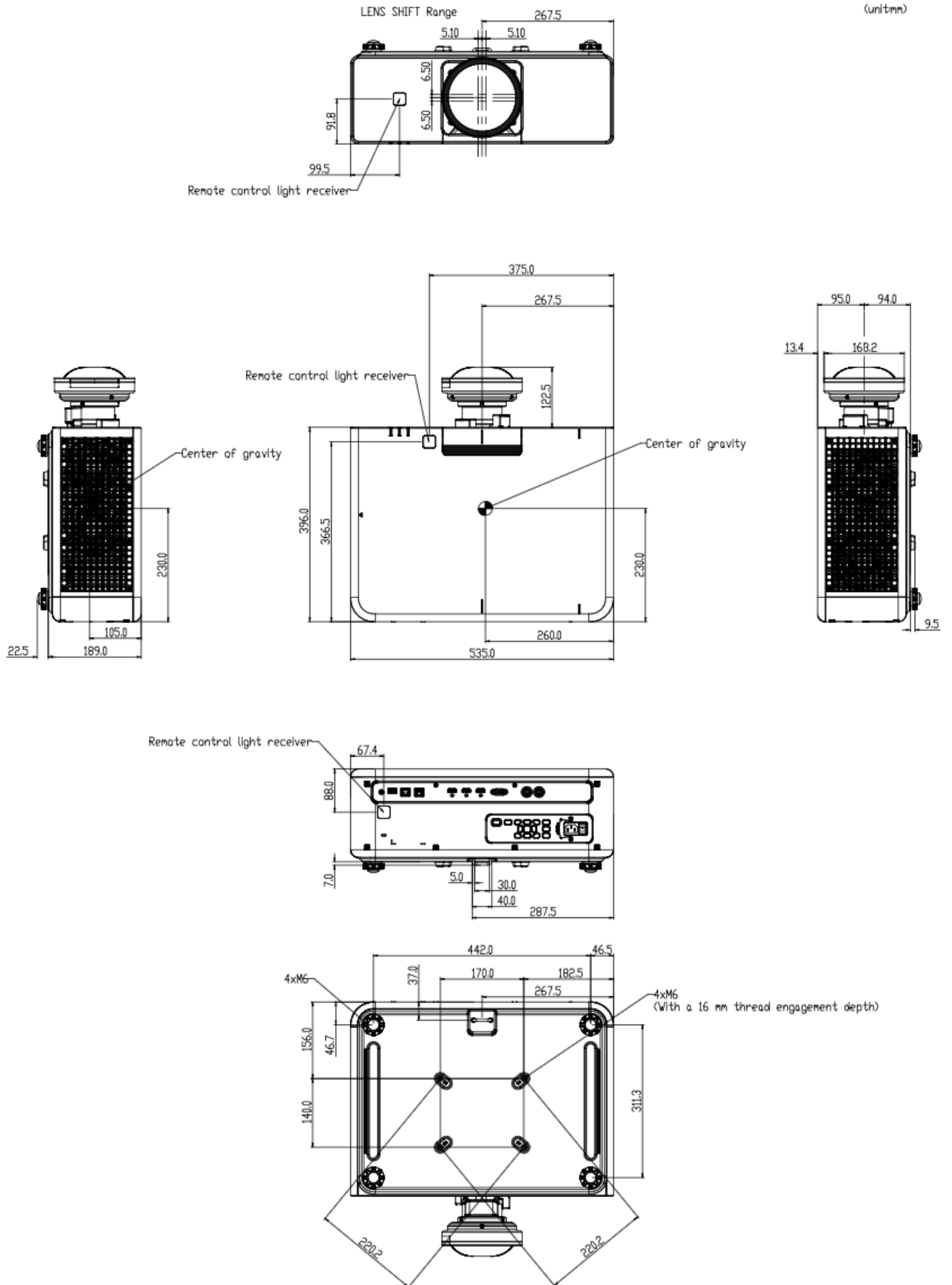
■ Dimensions 6: With Zoom Lens FP-ZL034 attached

Lens setting: Mount axis 90° / Lens axis 90°



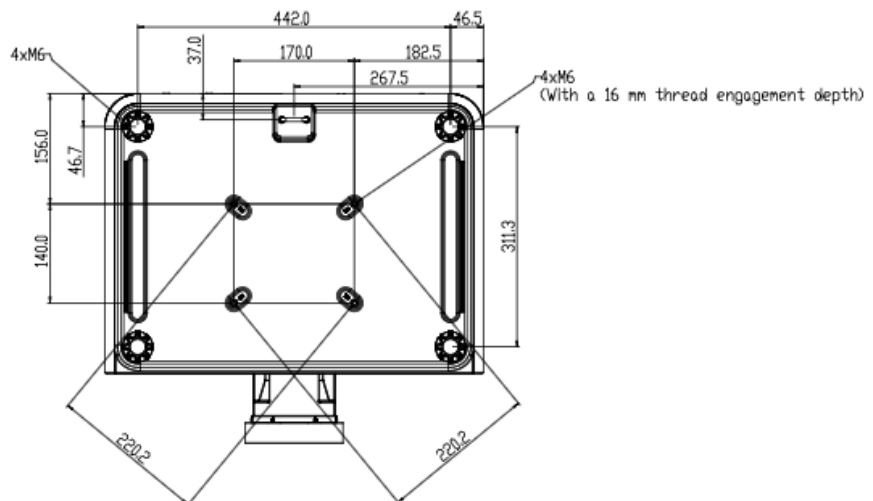
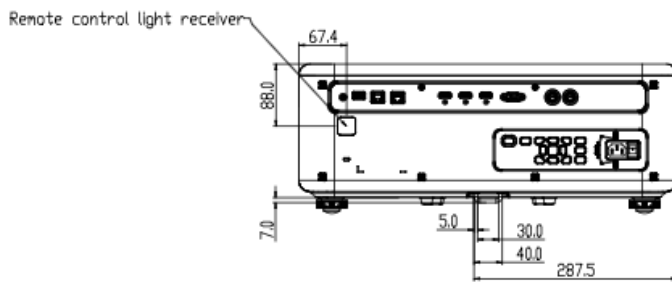
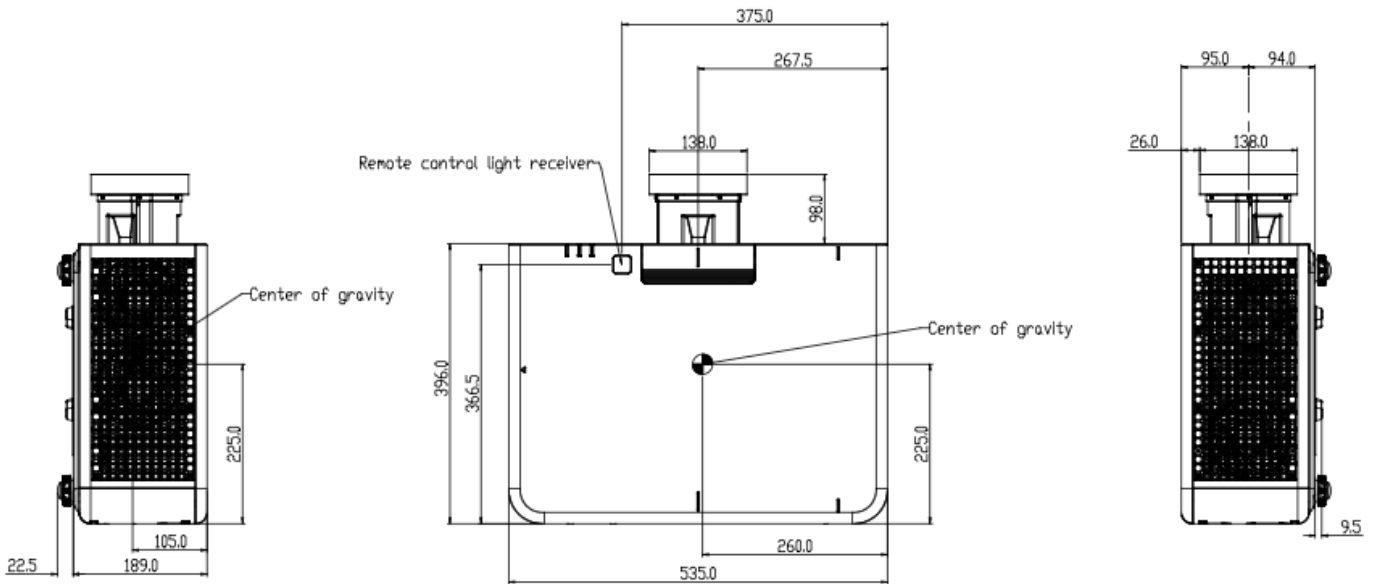
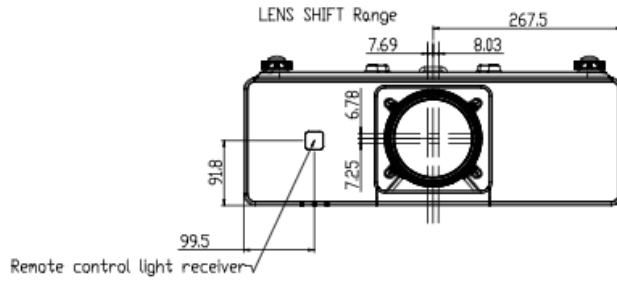
■ Dimensions 7: With Zoom Lens FP-ZL050 attached

(unit:mm)



■ Dimensions 8: With Zoom Lens FP-ZL125 attached

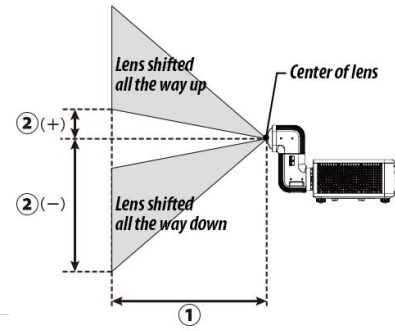
(unit:mm)



■ Projection distance tables

- Figures are approximate, differing from the actual values by a few percent.
- More details on projection distance are available via a simulator on the Fujifilm website.

<https://optics.fujifilm.com/projector/simulator/zuh12000/en.html>



[Screen aspect ratio 16:10]

Projection lens Model No.			FP-ZL034				FP-ZL050				FP-ZL125			
Throw ratio(TR)*1			0.34 - 0.41				0.50 - 0.65				1.25 - 2.00			
Screen dimensions (16:9)			①Projection distance (cm/in)		②Vertical shift (cm/in)		①Projection distance (cm/in)		②Vertical shift (cm/in)		①Projection distance (cm/in)		②Vertical shift (cm/in)	
Diagonal (in)	W (cm/in) × H (cm/in)		Min.	Max.	Low	High	Min.	Max.	Low	High	Min.	Max.	Low	High
			Zoom	Zoom			Zoom	Zoom			Zoom	Zoom		
80	172 × 108		57	69	-118	+11	84	110	-111	+3	211	344	-113	+5
	67.8 × 42.4		22.5	27.3	-46.6	+4.2	33.1	43.4	-43.7	+1.3	83.2	135.3	-44.5	+2.1
90	194 × 121		65	78	-133	+12	95	125	-125	+4	239	387	-127	+6
	76.3 × 47.7		25.5	30.8	-52.5	+4.8	37.5	49.0	-49.1	+1.4	94.0	152.5	-50.1	+2.4
100	215 × 135		72	87	-148	+13	106	139	-139	+4	266	431	-141	+7
	84.8 × 53.0		28.4	34.4	-58.3	+5.3	41.8	54.7	-54.6	+1.6	104.8	169.8	-55.6	+2.6
120	258 × 162		87	105	-178	+16	128	168	-166	+5	321	519	-170	+8
	101.8 × 63.6		34.3	41.4	-70.0	+6.4	50.5	66.1	-65.5	+1.9	126.3	204.3	-66.8	+3.2
150	323 × 202		110	132	-222	+20	161	211	-208	+6	403	650	-212	+10
	127.2 × 79.5		43.2	52.0	-87.4	+7.9	63.6	83.1	-81.9	+2.4	158.5	256.0	-83.5	+4.0
180	388 × 242		132	159	-267	+24	195	254	-250	+7	485	782	-254	+12
	152.6 × 95.4		52.0	62.6	-104.9	+9.5	76.6	100.2	-98.3	+2.9	190.8	307.8	-100.2	+4.8
200	431 × 269		147	177	-296	+27	217	283	-277	+8	539	869	-283	+13
	169.6 × 106.0		57.9	69.7	-116.6	+10.6	85.3	111.6	-109.2	+3.2	212.3	342.2	-111.3	+5.3
250	538 × 337		185	222	-370	+34	272	355	-347	+10	676	1088	-353	+17
	212.0 × 132.5		72.7	87.4	-145.7	+13.2	107.0	140.0	-136.5	+4.0	266.1	428.5	-139.1	+6.6
300	646 × 404		222	267	-444	+40	327	428	-416	+12	812	1307	-424	+20
	254.4 × 159.0		87.4	105.1	-174.9	+15.9	128.7	168.4	-163.8	+4.8	319.8	514.7	-166.9	+7.9
350	754 × 471		259	312	-518	+47	382	500	-485	+14	949	1526	-495	+24
	296.8 × 185.5		102.1	122.7	-204.0	+18.5	150.5	196.8	-191.1	+5.6	373.6	600.9	-194.8	+9.3
400	862 × 539		297	357	-592	+54	437	572	-555	+16	1085	1745	-565	+27
	339.2 × 212.0		116.9	140.4	-233.2	+21.2	172.2	225.2	-218.4	+6.4	427.3	687.2	-222.6	+10.6

[Screen aspect ratio 16:9]

Projection lens Model No.			FP-ZL034				FP-ZL050				FP-ZL125			
Throw ratio(TR)*1			0.34 - 0.41				0.50 - 0.65				1.25 - 2.00			
Screen dimensions (16:9)			①Projection distance (cm/in)		②Vertical shift (cm/in)		①Projection distance (cm/in)		②Vertical shift (cm/in)		①Projection distance (cm/in)		②Vertical shift (cm/in)	
Diagonal (in)	W (cm/in) × H (cm/in)		Min.	Max.	Low	High	Min.	Max.	Low	High	Min.	Max.	Low	High
			Zoom	Zoom			Zoom	Zoom			Zoom	Zoom		
80	177 × 100		59	71	-116	+17	86	113	-108	+9	218	352	-111	+11
	69.7 × 39.2		23.2	28.1	-45.8	+6.5	34.1	44.6	-42.7	+3.5	85.8	138.5	-43.6	+4.4
90	199 × 112		67	81	-131	+19	98	128	-122	+10	246	397	-125	+12
	78.4 × 44.1		26.2	31.7	-51.5	+7.4	38.5	50.4	-48.0	+3.9	96.9	156.2	-49.0	+4.9
100	221 × 125		74	90	-145	+21	109	143	-136	+11	274	442	-138	+14
	87.2 × 49.0		29.2	35.3	-57.2	+8.2	43.0	56.3	-53.4	+4.4	107.9	173.8	-54.5	+5.4
120	266 × 149		90	108	-174	+25	132	173	-163	+13	330	531	-166	+17
	104.6 × 58.8		35.3	42.6	-68.6	+9.8	51.9	67.9	-64.1	+5.2	130.1	209.1	-65.4	+6.5
150	332 × 187		113	136	-218	+31	166	217	-203	+17	415	666	-208	+21
	130.7 × 73.5		44.4	53.5	-85.8	+12.3	65.3	85.5	-80.1	+6.5	163.3	262.1	-81.7	+8.2
180	398 × 224		136	164	-262	+37	200	262	-244	+20	499	800	-249	+25
	156.9 × 88.2		53.5	64.4	-103.0	+14.7	78.7	103.0	-96.1	+7.8	196.5	315.0	-98.1	+9.8
200	443 × 249		151	182	-291	+42	223	291	-271	+22	555	890	-277	+28
	174.3 × 98.1		59.5	71.7	-114.4	+16.3	87.7	114.6	-106.8	+8.7	218.6	350.3	-108.9	+10.9
250	553 × 311		190	228	-363	+52	279	365	-339	+28	696	1114	-346	+35
	217.9 × 122.6		74.7	89.8	-143.0	+20.4	110.0	143.8	-133.5	+10.9	274.0	438.6	-136.2	+13.6
300	664 × 374		228	274	-436	+62	336	440	-407	+33	836	1338	-415	+42
	261.5 × 147.1		89.8	108.0	-171.6	+24.5	132.3	173.0	-160.2	+13.1	329.3	526.8	-163.4	+16.3
350	775 × 436		267	320	-508	+73	393	514	-475	+39	977	1562	-484	+48
	305.0 × 171.6		105.0	126.1	-200.2	+28.6	154.7	202.2	-186.8	+15.3	384.7	615.0	-190.7	+19.1
400	886 × 498		305	367	-581	+83	450	588	-542	+44	1118	1786	-553	+55
	348.6 × 196.1		120.1	144.3	-228.8	+32.7	177.0	231.4	-213.5	+17.4	440.0	703.3	-217.9	+21.8

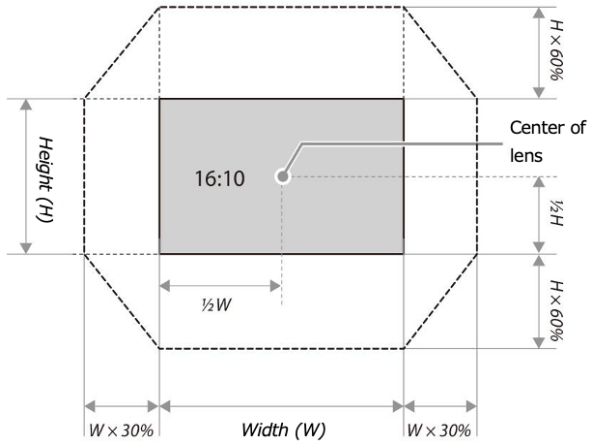
[Screen aspect ratio 4:3]

Projection lens Model No.			FP-ZL034				FP-ZL050				FP-ZL125			
Throw ratio(TR)*1			0.34 - 0.41				0.50 - 0.65				1.25 - 2.00			
Screen dimensions (16:9)			①Projection distance (cm/in)		②Vertical shift (cm/in)		①Projection distance (cm/in)		②Vertical shift (cm/in)		①Projection distance (cm/in)		②Vertical shift (cm/in)	
Diagonal (in)	W (cm/in) × H (cm/in)		Min. Zoom	Max. Zoom	Low	High	Min. Zoom	Max. Zoom	Low	High	Min. Zoom	Max. Zoom	Low	High
			80	163 × 122 64.0 × 48.0		65 - 79 25.7 - 31.0		-134 - +12 -52.8 - +4.8		86 - 113 34.1 - 44.6		-126 - +4 -49.4 - +1.4		199 - 322 78.4 - 126.8
90	183 × 137 72.0 × 54.0		74 - 89 29.0 - 35.0		-151 - +14 -59.4 - +5.4		98 - 128 38.5 - 50.4		-141 - +4 -55.6 - +1.6		225 - 363 88.5 - 142.9		-144 - +7 -56.7 - +2.7	
100	203 × 152 80.0 × 60.0		82 - 99 32.3 - 39.0		-168 - +15 -66.0 - +6.0		109 - 143 43.0 - 56.3		-157 - +5 -61.8 - +1.8		251 - 404 98.7 - 159.1		-160 - +8 -63.0 - +3.0	
120	244 × 183 96.0 × 72.0		99 - 119 39.0 - 47.0		-201 - +18 -79.2 - +7.2		132 - 173 51.9 - 67.9		-188 - +5 -74.2 - +2.2		302 - 486 119.0 - 191.5		-192 - +9 -75.6 - +3.6	
150	305 × 229 120.0 × 90.0		124 - 150 49.0 - 59.0		-251 - +23 -99.0 - +9.0		166 - 217 65.3 - 85.5		-235 - +7 -92.7 - +2.7		380 - 610 149.4 - 240.0		-240 - +11 -94.5 - +4.5	
180	366 × 274 144.0 × 108.0		150 - 180 59.0 - 71.0		-302 - +27 -118.8 - +10.8		200 - 262 78.7 - 103.0		-283 - +8 -111.2 - +3.2		457 - 733 179.9 - 288.6		-288 - +14 -113.4 - +5.4	
200	406 × 305 160.0 × 120.0		167 - 201 65.7 - 79.0		-335 - +30 -132.0 - +12.0		223 - 291 87.7 - 114.6		-314 - +9 -123.6 - +3.6		509 - 815 200.2 - 320.9		-320 - +15 -126.0 - +6.0	
250	508 × 381 200.0 × 150.0		209 - 251 82.4 - 99.0		-419 - +38 -165.0 - +15.0		279 - 365 110.0 - 143.8		-392 - +11 -154.5 - +4.5		637 - 1021 251.0 - 401.8		-400 - +19 -157.5 - +7.5	
300	610 × 457 240.0 × 180.0		252 - 302 99.0 - 119.0		-503 - +46 -198.0 - +18.0		336 - 440 132.3 - 173.0		-471 - +14 -185.4 - +5.4		766 - 1226 301.7 - 482.7		-480 - +23 -189.0 - +9.0	
350	711 × 533 280.0 × 210.0		294 - 353 115.7 - 139.0		-587 - +53 -231.0 - +21.0		393 - 514 154.7 - 202.2		-549 - +16 -216.3 - +6.3		895 - 1432 352.5 - 563.6		-560 - +27 -220.5 - +10.5	
400	813 × 610 320.0 × 240.0		336 - 404 132.4 - 159.0		-671 - +61 -264.0 - +24.0		450 - 588 177.0 - 231.4		-628 - +18 -247.2 - +7.2		1024 - 1637 403.2 - 644.5		-640 - +30 -252.0 - +12.0	

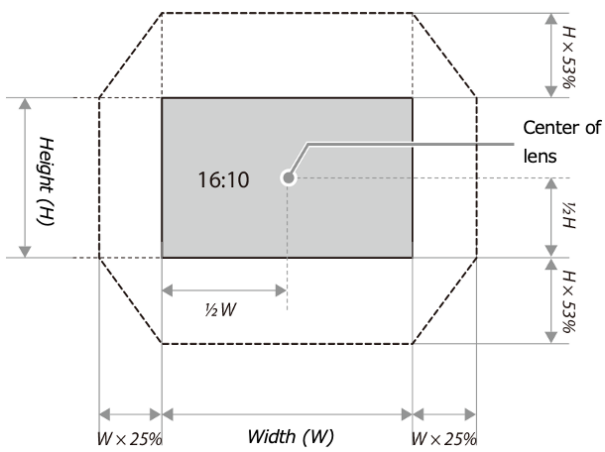
* Figures are approximate, differing from the actual values by a few percent.

■ Lens shift range

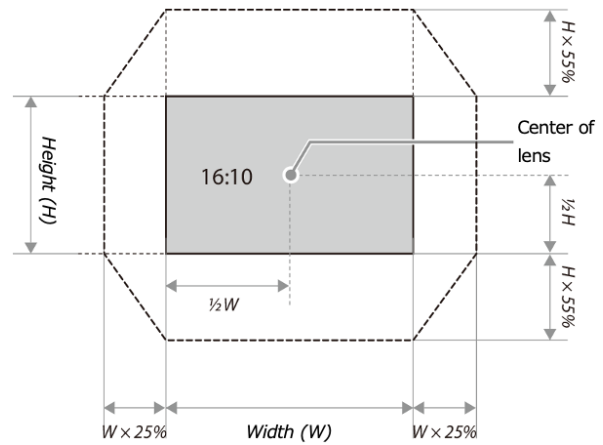
[With Zoom Lens FP-ZL034 attached]



[With Zoom Lens FP-ZL050 attached]

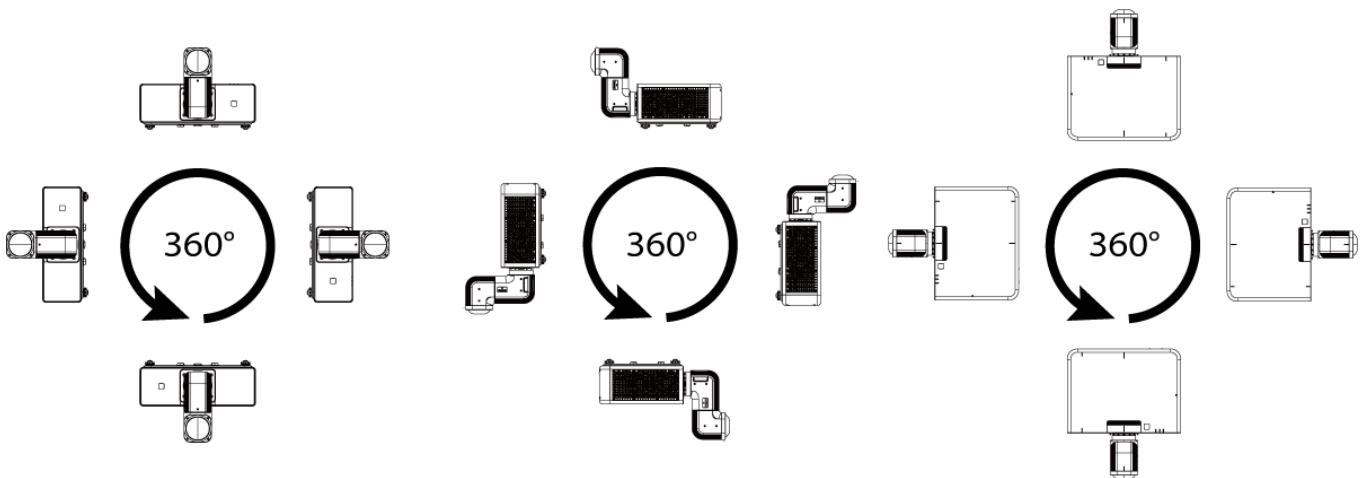


[With Zoom Lens FP-ZL125 attached]



■ Installable angle

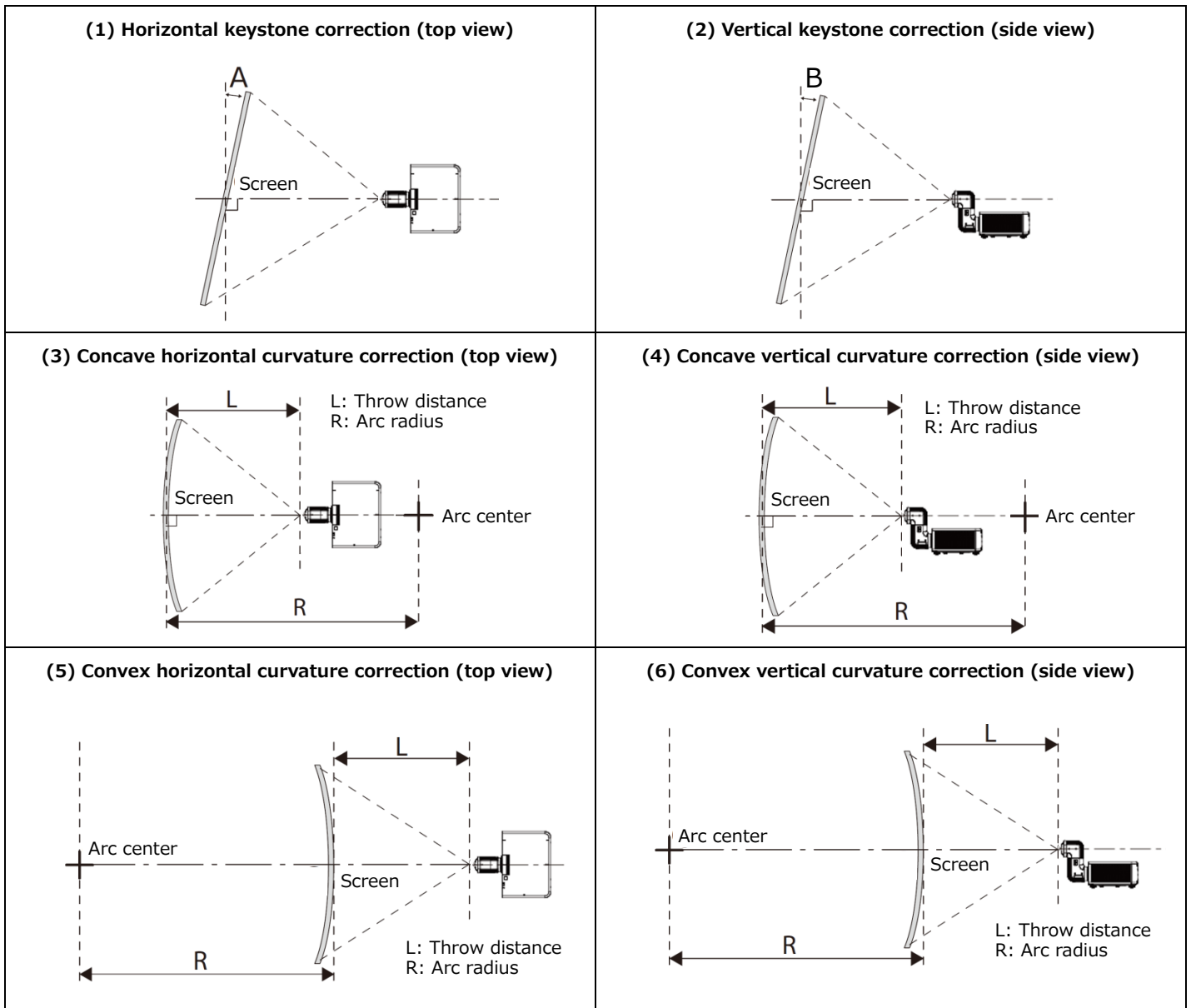
- Supports 360-degree installation.



■ Geometric correction range

- Figures are approximations and may vary from the actual values by a few percent. Adjustments to focus may fail to produce the desired results at higher values.
- The correction range is based on a lens shift position of $\pm 0\%$ vertical (V), $\pm 0\%$ horizontal (H).

Optional lens model No.	Keystone correction		Screen curvature correction			
	(1) Horizontal	(2) Vertical	(3) Concave horizontal	(4) Concave vertical	(5) Convex horizontal	(6) Convex vertical
	Correction angle "A"	Correction angle "B"	Minimum R/L value	Minimum R/L value	Minimum R/L value	Minimum R/L value
FP-ZL034	$\pm 5^\circ$	$\pm 5^\circ$	1.50	1.41	4.73	2.14
FP-ZL050	$\pm 20^\circ$	$\pm 10^\circ$	1.24	0.80	4.33	1.67
FP-ZL125	$\pm 40^\circ$	$\pm 20^\circ$	0.35	0.20	0.59	0.32



■Supported resolutions

[HDMI®1・HDMI®2 / HDBaseT™]

Signal Type	Signal Format	Resolution	Aspect Ratio	V Sync (Hz)	RGB			YCbCr 4:4:4			YCbCr 4:2:2			
					8 bit	10 bit	12 bit	8 bit	10 bit	12 bit	8 bit			
PC	VGA	640x480	4:3	60	V	V	V	V	V	V	V			
	SVGA	800x600	4:3	60	V	V	V	V	V	V	V			
	XGA	1024x768	4:3	60	V	V	V	V	V	V	V			
	WXGA	1280x768	15:9	60	V	V	V	V	V	V	V			
	WXGA	1280x800	16:10	60	V	V	V	V	V	V	V			
	SXGA-	1280x960	4:3	60	V	V	V	V	V	V	V			
	SXGA	1280x1024	5:4	60	V	V	V	V	V	V	V			
	WXGA	1360x768	16:9	60	V	V	V	V	V	V	V			
	FWXGA	1366x768	16:9	60	V	V	V	V	V	V	V			
	WXGA+	1440x900	16:10	60	V	V	V	V	V	V	V			
	HD+	1600x900	16:9	60	V	V	V	V	V	V	V			
	UXGA	1600x1200	4:3	60	V	V	V	V	V	V	V			
	WSXGA+	1680x1050	16:10	60	V	V	V	V	V	V	V			
	WUXGA	1920x1200	16:10	60	V	V	V	V	V	V	V			
	UWFHD	2560x1080	21:9	24	V	V	V	V	V	V	V	V		
				25	V	V	V	V	V	V	V	V		
30				V	V	V	V	V	V	V	V			
50				V	V	V	V	V	V	V	V			
60				V	V	V	V	V	V	V	V			
4K WQUXGA		3840x2400	16:10	24	V	V	V	V	V	V	V	V		
				25	V	V	V	V	V	V	V	V		
				30	V	V	V	V	V	V	V	V		
				50	V	-	-	V	-	-	V	V		
				60	V	-	-	V	-	-	V	V		
				Video	EDTV (480p)	720X480	3:2	59.94	V	V	V	V	V	V
60	V	V	V					V	V	V	V			
EDTV (576p)	720X576	5:4	50		V	V	V	V	V	V	V			
			HDTV (720p)		1280x720	16:9	50	V	V	V	V	V	V	V
59.94	V	V					V	V	V	V	V			
60	V	V					V	V	V	V	V			
120	V	V					V	V	V	V	V			
HDTV (1080p)	1920x1080	16:9	23.98		V	V	V	V	V	V	V			
			24		V	V	V	V	V	V	V			
			25		V	V	V	V	V	V	V			
			29.97		V	V	V	V	V	V	V			
			30		V	V	V	V	V	V	V			
			50		V	V	V	V	V	V	V			
			59.94		V	V	V	V	V	V	V			
			60		V	V	V	V	V	V	V			
			120		V	V	V	V	V	V	V			
4K	4K UHD (2160p)	3840x2160	16:9	24	V	V	V	V	V	V	V			
				25	V	V	V	V	V	V	V			
				30	V	V	V	V	V	V	V			
				50	V	-	-	V	-	-	V			
				60	V	-	-	V	-	-	V			
	DCI 4K	4096x2160	19:10	24	V	V	V	V	V	V	V			
				25	V	V	V	V	V	V	V			
				30	V	V	V	V	V	V	V			
				50	V	-	-	V	-	-	V			
				60	V	-	-	V	-	-	V			
High Frame Rate	1080p	1920x1080	16:9	120	V	V	V	V	V	V	V			
				240	V	-	-	-	-	-	-			

[12G / 3G -SDI]

信号タイプ	信号フォーマット	解像度	アスペクト比	垂直周波数 (Hz)	YCbCr 4:2:2	
					10 bit	12 bit
HD-SDI	HDTV (720p)	1280x720	16:9	25	V	-
				29.97	V	-
				30	V	-
				50	V	-
				59.94	V	-
	HDTV (1080p)	1920x1080	16:9	23.98	V	V
				24	V	V
				25	V	V
				29.97	V	V
				30	V	V
3G-SDI Level-A	HDTV (1080p)	1920x1080	16:9	50	V	-
				59.94	V	-
				60	V	-
12G-SDI	UHDTV (2160p)	3840x2160	16:9	23.98	V	-
				24	V	-
				25	V	-
				29.97	V	-
				30	V	-
				50	V	-
				59.94	V	-
	DCI 4K (2160p)	4096x2160	19:10	23.98	V	V
				24	V	V
				25	V	V
				29.97	V	V
				30	V	V
				50	V	-
				59.94	V	-
60	V	-				