

Remote Lung Module

A Dimatix Printhead
Support Product



Remote Lung Module

Features:

- Deaeration incorporating Dimatix's patented lung technology
- Optional heater and thermistor
- Stackable for increased degassing capacity
- Compatibility with a large number of fluid chemistries

The Remote Lung Module is an efficient and robust in-line degassing device for use with one or more Dimatix jetting assemblies.

The Remote Lung Module is a compact degassing unit capable of providing support for Dimatix jetting assemblies operating with aggressive fluids. It provides the same deaeration functionality as the lung found in Dimatix printheads and remote reservoirs.

As the fluid moves through the lung, an externally-supplied vacuum removes dissolved gasses from the jetting fluid. This degassing function is essential for fast priming and preventing bubble growth in the printhead at jetting frequencies required for high throughput.

An optional heater cartridge and thermistor temperature sensor are available for increased degassing performance and for thermal management of fluid viscosity.

The only materials in contact with the fluid are PFE, 316 stainless steel, and perfluoroethylene. These materials allow compatibility with a number of fluids including:

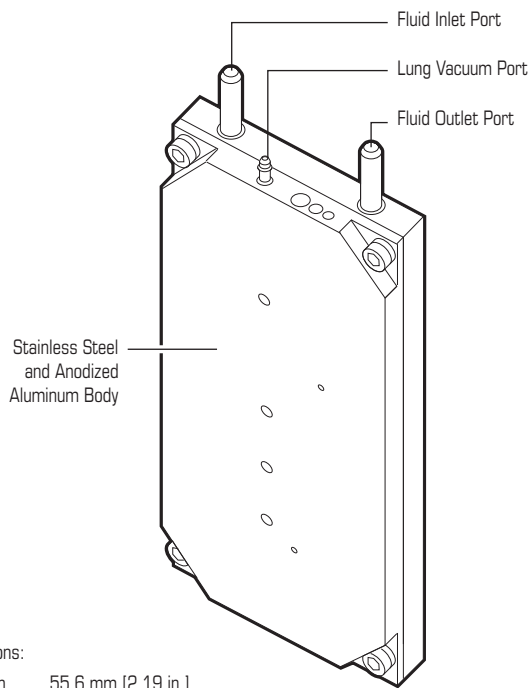
- aqueous fluids, pH range 3-9
- PEDOT
- buffer solutions
- surfactant-containing fluids
- acidic, dispersive, reactive and direct dyes
- organic and inorganic nanoparticles



www.dimatix.com

Parameter	Remote Lung
Flow rate	up to 1 ccsec ⁻¹
Lung vacuum	≥ 67 KPa (20 inHg) gauge
Onboard fluid volume	< 3 cc
Compatible fluids	most solvents and aqueous fluids
Operating temperature range	up to 90°C
Typical fluid viscosity (at operating temperature)	8-20 cPs
Heater and thermistor	optional

Physical Characteristics



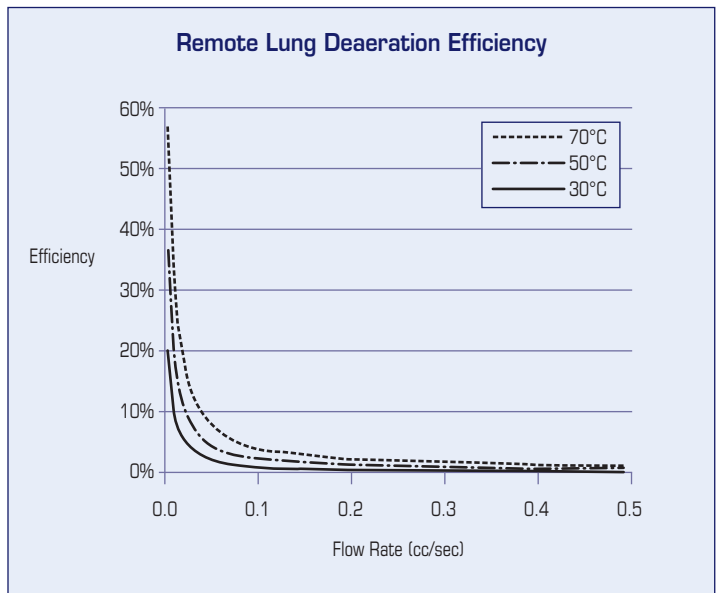
Dimensions:

Width 55.6 mm [2.19 in.]
 Length 109.7 mm [4.32 in.]
 Thickness 12.7 mm [0.50 in.]

Weight:

340 g (0.75 lb)

Lung Performance



Product data presented above are for guideline purposes only. For design and engineering work using this product, please contact Dimatix Technical Support for the appropriate Product Manual containing full Product Specifications.



Corporate Office:
 FUJIFILM Dimatix, Inc.
 2230 Martin Avenue
 Santa Clara, CA 95050
 USA

Tel: (408) 565-9150
 Fax: (408) 565-9151
 Email: info@dimatix.com

New Hampshire Facility:
 FUJIFILM Dimatix, Inc.
 109 Etna Road
 Lebanon, NH 03766
 USA

Tel: (603) 443-5300
 Fax: (603) 448-9870
 Email: info@dimatix.com

Japan Office:
 Advanced Marking Business Division
 FUJIFILM Corporation
 Midtown West, 7-3, Akasaka 9-Chome
 Minato-ku, Tokyo 107-0002
 Japan

Tel: +81 3 6271 1091
 Fax: +81 3 6271 1165
 E-mail: front.ambd@fujifilm.co.jp

European Office:
 Tel: +44 7739 863 505
 Fax: +44 870 167 4328
 Email: euro@dimatix.com

Korean Office:
 Tel: +82 2 6242 6012
 Fax: +82 2 6242 6012
 Email: korea@dimatix.com

China Office:
 Email: china@dimatix.com