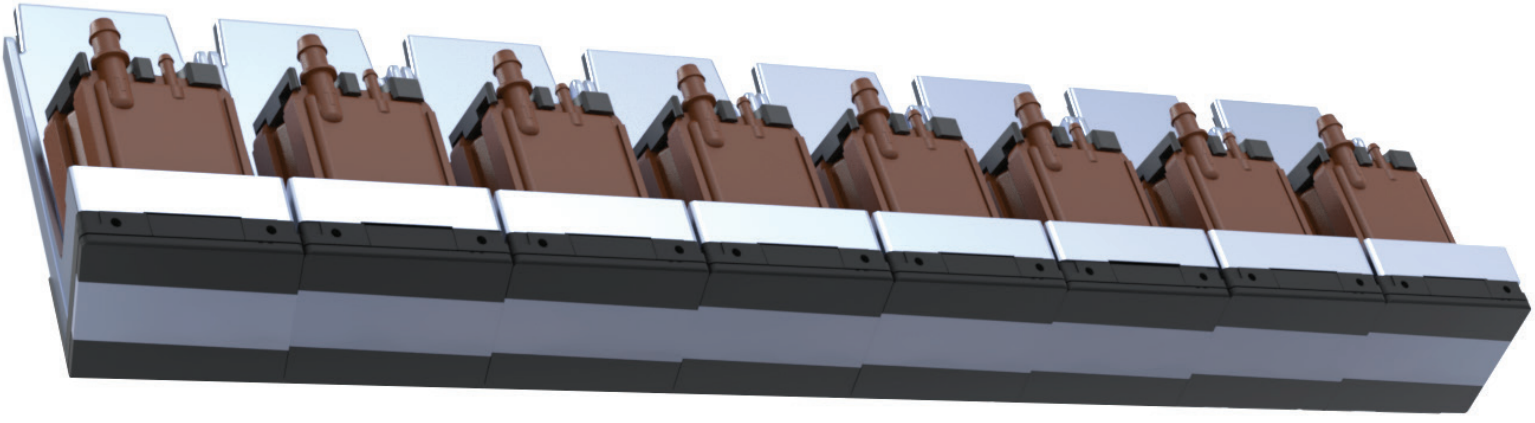


# Samba®



Samba® printhead technology provides the speed, versatility, and reliability suitable for a broad range of demanding graphics and specialty applications. The Samba printhead leverages the accuracy and precision of Silicon MEMS (Si-MEMS) processing with the reliability and life of sputtered PZT in an ingenious parallelogram shape to deliver breathtaking image quality at near analog production speeds.

## Unique Si-MEMS Design

- Superb drop placement accuracy and uniformity for best in class image quality
- Broad fluid compatibility (UV, Aqueous, Solvent)
- Long life provided by sputtered PZT
- Broad ink latitude from robust non-wetting coating on nozzle plate
- Wide range of drop sizes

## Optimized for Single Pass

- Compact in-line stitching for any length print bar provided by parallelogram shape
- High frequency with high duty cycle for challenging high flux applications
- Head design optimized for high standoffs
- 600 or 1200 dpi modes
- Grayscale for robust high image quality printing
- Fast priming and reduced maintenance cycles from multi-level ink recirculation



## Proven Performance in Many Applications

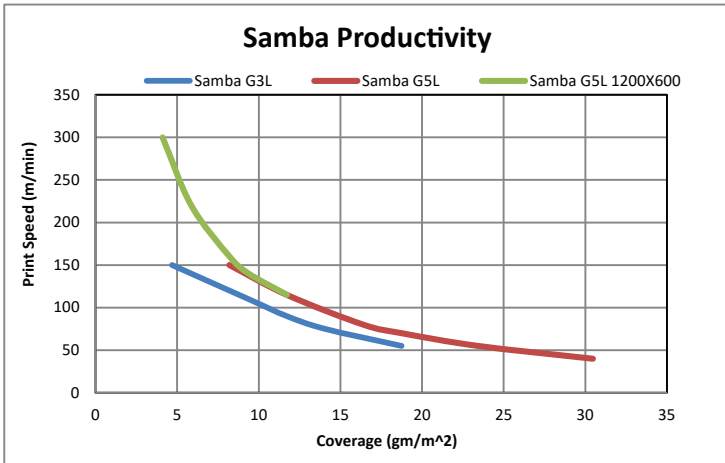
Samba is the proven leader in high speed applications such as Commercial Print, Textile, Label, Packaging, and 3D printing. Now the Samba family is expanding to include the G5L, bringing with it larger native drop size for single pass applications demanding even higher ink coverage.

FUJIFILM Dimatix continues to build upon its long history of printhead design with exceptional customer service and over 1000 patents since 1985.

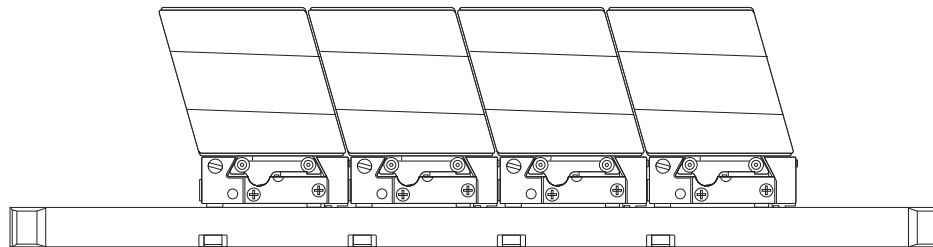
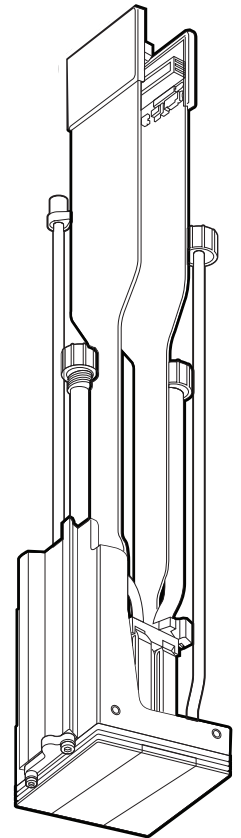
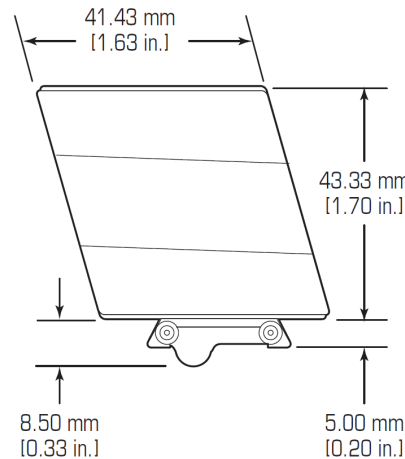


Parameter	Samba G3L	Samba G5L
Number of addressable Jets per module	2048	2048
Print width	43 mm (1.7 in)	43 mm (1.7 in)
Native resolution	1200 dpi (600 redundant)	1200 dpi (600 redundant)
Firing frequency	Over 100 kHz	Over 100 kHz
Compatible fluids	UV, AQ, Latex, Solvents, Other	AQ, Latex, Solvents, Other
Printhead heating	Fluid thermal transfer	Fluid thermal transfer
Inkjet operating temperature range	Up to 60° C (140° F)	Up to 60° C (140° F)
Nozzle plate technology	Silicon MEMS w/ non wetting coating	Silicon MEMS w/ non wetting coating
PZT technology	MEMS sputtered PZT	MEMS sputtered PZT
Max productivity	360 ng-kHz	450 ng-kHz
Native drop size	2.4 pL	3.5 pL
Largest drop size	10 pL	13 pL
Viscosity range	4 - 8 cPs	5 - 9 cPs
Temperature sensor	Built in thermistor	Built in thermistor

## Productivity



## Physical Characteristics



Product data presented above are for guideline purposes only. For design and engineering work using this product, please contact Dimatix Technical Support for the appropriate Product Manual containing full Product Specifications.