

FUJIFILM CX 3240

Creative Duplex Printer

User Guide

FUJIFILM CX 3240 Creative Duplex Printer is
distributed and supported by
FUJIFILM Corporation.

Microsoft, Windows, Windows Server, Internet Explorer, and Microsoft Edge are either registered trademarks or trademarks of Microsoft Corporation in the United States and/or other countries.

Adobe, Acrobat, and Reader are trademarks of Adobe Systems Incorporated.

macOS and Safari are trademarks of Apple Inc.

PCL, HP-GL, and HP-GL/2 are registered trademarks of Hewlett-Packard Corporation.

RSA and BSAFE are either registered trademarks or trademarks of EMC Corporation in the United States and/or other countries.

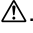
Google Chrome is a trademark of Google Inc.

Mozilla and Firefox are trademarks of the Mozilla Foundation in the U.S. and other countries.

Other company names or product names are registered trademarks or trademarks of each company.

Microsoft product screen shot(s) reprinted with permission from Microsoft Corporation.

For information on license, refer to License provided as a separate volume.

In this manual, safety instructions are preceded by the symbol . Always read and follow the instructions before performing the required procedures.

The data saved in the printer may be lost if there is any problem in the data storage space. FUJIFILM is not responsible for any direct and indirect damages arising from or caused by such data loss.

FUJIFILM is not responsible for any breakdown of machines due to infection of computer virus or computer hacking.

Important

1. This manual is protected under copyright laws, and cannot be copied or modified, in whole or part, without a written consent of the copyright owner. However, you may copy this manual for the purpose of operating this machine.
2. Parts of this manual are subject to change without prior notice.
3. We welcome any comments on ambiguities, errors, omissions, or missing pages.
4. Never attempt any procedure on the machine that is not specifically described in this manual. Unauthorized operation can cause faults or accidents. FUJIFILM is not liable for any problems resulting from unauthorized operation of the equipment.

An export of this product is strictly controlled in accordance with Laws concerning Foreign Exchange and Foreign Trade of Japan and/or the export control regulations of the United States.

FUJIFILM is a registered trademark of FUJIFILM Corporation.

FUJIFILM product names are either registered trademarks or trademarks of FUJIFILM Corporation.

Table of Contents

1	Before Using the Printer	9
	Preface.....	10
	Types of Manuals.....	11
	Important Security Instructions.....	12
	Using This Guide.....	13
	Organization of This Guide.....	13
	Conventions	14
	Safety Notes.....	15
	Legal Notice	19
	Warning and Caution Labels.....	20
2	Printer Setup	21
	Connecting and Setting Up Your Printer	22
	Connecting to a Computer or a Network	22
	Turning On/Off the Printer	24
	Configuring Initial Settings on the Touch Screen	25
	Setting the IP Address	26
	Assigning an IP Address	26
	Verifying the IP Settings	27
	Installing Printer Driver on the Computer	28
	Configuration on the Computer	28
3	Product Overview	29
	Machine Components	30
	Front and Rear Views.....	30
	Control Panel.....	32
	Internal Parts	32
	Touch Screen.....	33
	About the Home Screen	33
	Basic Operations on the Touch Screen.....	33
	Moving, Adding or Removing the Tiles.....	34
	Using the Keyboard Displayed on the Touch Panel.....	34
	Changing the Language and Keyboard Layout.....	35
	Setting the Power Saver Timers.....	35
4	Paper	37
	Paper Types.....	38
	Supported Paper	38
	Unsupported Paper	39
	Loading Paper.....	40
	Loading Paper in Trays 1 to 4	40
	Loading Paper in Bypass Tray	47
	Setting the Tray Mode	50

5	Printing	51
	Printing.....	52
	Sending a Job to Print.....	52
	Canceling a Print Job.....	52
	Borderless Printing.....	53
	Duplex Printing.....	54
	Using Stored Print.....	55
6	Setting Menus on Touch Screen	59
	Device App	60
	Language	60
	About.....	60
	Notifications.....	60
	Paper Trays.....	60
	Supplies	61
	Billing/Usage	61
	General	61
	Connectivity.....	63
	Support.....	66
	Resets	68
7	Printer Configuration Web Tool	69
	Overview	70
	Setting Up the Printer Configuration Web Tool.....	71
	Supported Web Browser	71
	Setting Up From Web Browser	71
	Starting the Printer Configuration Web Tool	72
	Overview of the Menu Items	73
	Page Display Format	74
	Home	75
	Notifications.....	75
	Trays	75
	Supplies	76
	Billing/Usage	76
	Quick Links.....	77
	Apps.....	79
	Preferences.....	79
	Installed Apps.....	79
	Jobs	80
	Deleting a Job	80
	Jobs Policies	80
	Connectivity	81
	Connections	81
	Protocols	84
	Permissions	95
	Guest Access.....	95
	User Accounts.....	95

Login/Logout Settings.....	95
Password Rules.....	97
System	98
Date & Time	98
Power Saver.....	98
Timeouts.....	99
Security	99
Defaults and Policies.....	105
PDL Settings	106
Logs.....	110
Software Update.....	110
Plug-in Settings	110
Measurements.....	111
Sounds	111
8 Encryption and Digital Signature Settings	113
Encryption and Digital Signature Overview.....	114
Types of Certificate.....	114
Requesting another CA to issue a certificate	114
Encryption Features for Communication	114
Configuration of HTTP Communications Encryption.....	116
Step1 Configuration on the Printer	116
Step2 Configuration on the Computer	117
Configuration of Encryption using IPsec	118
Step1 Import and Configuration of a Certificate	118
Step2 Configuration on the Computer	118
9 Authentication Features	119
User Authentication.....	120
Types of User	120
Types of Authentication.....	120
User Authentication Operations.....	121
Creating and Editing User Accounts.....	122
10 Maintenance	125
Replacing Consumables	126
Consumables	126
Periodic Replacement Parts.....	127
Checking the Supplies Status at the Touch Screen	127
Replacing Toner Cartridge	127
Replacing Drum Cartridge.....	129
Replacing Waste Cartridge.....	133
Cleaning the Printer	136
Cleaning the Exterior.....	136
Cleaning the Touch Screen.....	136
Cleaning the LED Lenses.....	137
Cleaning the Color-Density Sensors	141
Adjustments and Maintenance Procedures	145

Color Registration	145
Color Calibration - Automatic	145
Advanced Color Calibration - Automatic	145
Adjusting Paper Registration.....	146
Transfer Voltage Adjustment.....	148
Adjusting the Fusing Unit	149
Adjusting the Altitude	149
Performing a Developer and Transfer Roller Cleaning Procedure.....	149
Fusing Unit Speed Adjustment.....	150
Performing a Transfer Belt Cleaning Mode Procedure	150
Adjusting the Density	151
Refreshing the Toner	151
Fusing Unit Cleaning.....	151
Fusing Unit Replacement.....	152
Paper Blocking Prevention.....	152
Glossy Cardstock Printing.....	152
Removing and Installing Optional Components.....	154
Removing the Sheet Feeders and the Caster.....	154
Installing the Sheet Feeders and the Caster.....	156
11 Problem Solving	157
Troubleshooting	158
Machine Trouble	159
Image Quality Trouble	161
Trouble during Printing	165
Unable to Print	165
The Print Result is Not What was Expected	165
Network-related Problems	166
When using TCP/IP.....	166
Printer Configuration Web Tool Problems.....	167
Internet/Intranet Connection Problems	168
IPv4 and IPv6 Connection Problems	169
Error Code	171
“005-001”–“011-999”	171
“016-001”–“016-999”	172
“017-001”–“017-999”	183
“018-001”–“020-999”	186
“023-001”–“025-999”	189
“026-001”–“026-999”	190
“027-001”–“032-999”	191
“041-001”–“044-999”	200
“045-001”–“046-999”	201
“055-001”–“058-999”	202
“059-001”–“059-999”	202
“060-001”–“060-999”	202
“061-001”–“061-999”	203
“071-001”–“076-999”	203
“077-001”–“077-999”	204

“081-001”–“091-999”	204
“092-001”–“092-999”	205
“093-001”–“093-999”	205
“094-001”–“098-999”	206
“099-001”–“101-999”	206
“102-001”–“115-999”	207
“116-001”–“116-999”	207
“117-001”–“117-999”	211
“118-001”–“122-999”	212
“123-001”–“126-999”	213
“127-001”–“132-999”	214
Other Errors.....	214
Paper Jams	216
Paper Jams in the Bypass Tray.....	217
Paper Jams in Tray 1	219
Paper Jams in Trays 2 to 4.....	221
Paper Jams in the Fusing Unit	223
Paper Jams in the Duplex Unit.....	225
12 Appendix.....	229
Specifications	230
Basic Specifications.....	230
Optional Components	233



1

Before Using the Printer

Preface

Thank you for selecting the FUJIFILM CX 3240 Creative Duplex Printer (hereafter referred to as “the printer”).

This guide describes how to operate the printer and the precautions you should follow during operation. To get the most out of the printer and to use it effectively, be sure to read this guide before use.

The guide assumes that you are familiar with a personal computer and that you are knowledgeable of computer networks. When you need additional information, refer to the manuals provided with the personal computer, operating system, and network products.

After reading this guide, be sure to keep it handy for quick reference. It will be useful in case you forget how to perform operations or if a problem occurs with the printer.

When you use this printer, we recommend that you change the system administrator's user ID and passcode immediately after installing the printer. For more information on changing the user ID and passcode, refer to "Changing User Password from the Printer Configuration Web Tool" (P.123).

Types of Manuals

The following guides are provided with the printer.

Accompanying Manuals

■ Software/Product Manual (CD)

The guides in this media describe how to operate and maintain the printer.

■ Safety Notes

The guide describes precautions you should follow for safe use of the printer. Be sure to read this guide first.

■ Canceling a Print Job

The guide describes cancelling a job using the touch screen or a computer.

Help Accessible from the Software

■ Print Driver Help

The help describes the print features and operations.

Guides for Optional Components

Optional components are available for the printer. Some of them come with user guides.

The guides for optional components describe all the necessary steps for using the optional components and installing the software.

Important Security Instructions

The Security Warning screen is displayed before the Home screen when any one of the following conditions is fulfilled and you enter the System Administration mode.

- The system administrator's passcode is the default value.
- The SNMP protocol's community name and authentication password are default values.
- The Global IP Address is used and [Login Method] is set to [Simple].

To use the printer more safely, we recommend that you change the settings immediately after installing the printer.

- Change the system administrator's passcode, and SNMP protocol's community name and authentication password from the default values.

Changing these settings prevents the printer from the malicious person's attacks (changing settings or exploitation of information).

Note

- Changing the system administrator's passcode, and SNMP protocol's community name and authentication password from the default values affects the behavior of cooperative software or utilities. Check the influence before changing these settings.
- When using the Global IP Address on the printer, set the IP address filtering setting to prevent the printer from illegal access from an external network (browsing job history or accessing the data stored in the printer).
- Set [Login Method] to [Local] or [Network].

Select [Local] to use the user information registered on the printer to manage authentication. Only the users who have succeeded in the authentication can use the printer. When using this method, entering user ID is required to log in.

Reference

- For information on how to change the system administrator's passcode, refer to "Changing User Password from the Printer Configuration Web Tool" (P.123).
- For information on how to change the SNMP authentication information, refer to "SNMP" (P.92).
- For information on how to set the IP address filtering, refer to "IP Address Filtering" (P.103).
- For information on how to set the login method, refer to "Login Method" (P.95).

Using This Guide

Organization of This Guide

This guide consists of the following chapters:

■ 1 Before Using the Printer

Describes how to use this guide.

■ 2 Printer Setup

Describes how to connect the printer to your computer and network, and how to install the software into your computer.

■ 3 Product Overview

Describes the basic information of the printer, such as the names of components, how to use the touch screen, how to switch the printer on and off, and how to exit the Power Saver mode.

■ 4 Paper

Describes the types of paper and other media that you can use on the printer and how to load media in a tray.

■ 5 Printing

Describes how to print documents using various features.

■ 6 Setting Menus on Touch Screen

Describes the procedures to check the printer status and set up the system.

■ 7 Printer Configuration Web Tool

Describes how to use Printer Configuration Web Tool.

■ 8 Encryption and Digital Signature Settings

Describes how to configure the printer to use the Encryption and the Digital Signature features with your communications and documents.

■ 9 Authentication Features

Describes the overview of the authentication feature such as user types and authentication types, and how to log in to/log out from the printer.

■ 10 Maintenance

Describes how to replace consumables and to clean the printer.

■ 11 Problem Solving

Describes troubleshooting procedures to solve the problems with the printer.

■ 12 Appendix

Describes the specifications of the printer, optional accessories, and cautions/restrictions.

Conventions

- The screen shots and illustrations used in this guide vary depending on the printer configuration and optional components installed. Some of the items in the screen shots may not be displayed or available depending on your printer configuration.
- The procedures in this guide may vary depending on the driver and utility software being used due to the upgrades.
- In this guide, “computer” refers to a personal computer or workstation.
- The following terms are used in this guide:

Important

- Important information that you should read.



Note


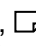
- Additional information on operations or features.

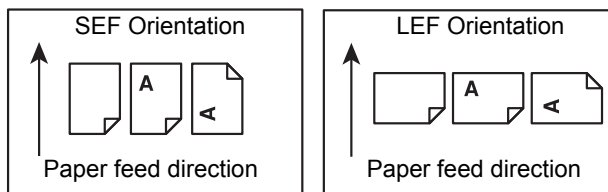
- The following symbols are used in this guide:

- | | |
|------------|---|
| " " | • A cross-reference included in this guide. |
| [] | <ul style="list-style-type: none"> • Names of media, features, touch screen messages and input text. • Folders, files, applications, button or menu names displayed on the touch screen. |
| < > button | <ul style="list-style-type: none"> • Names of menus, commands, windows, or dialog boxes displayed on the computer screen and their buttons and menu names. • Hardware buttons on the control panel. |
| < > key | <ul style="list-style-type: none"> • Keys on the keyboard of the computer. |
| > | <ul style="list-style-type: none"> • Path to a certain item within a procedure on the touch screen.
For example: When you see the procedure “select [Device] > [Language] > [Keyboard Layout]”, this means that you need to select [Device], select [Language], and then select [Keyboard Layout]. • Path to a certain item within a procedure on a computer.
For example: When you see the procedure “to search for files and folders, click [Start] > [Search] > [For Files or Folders]”, this means that you need to click [Start], click [Search], and then click [For Files or Folders] to search for files and folders. • Cross-reference
For example: “Refer to “Device” > “Language” > “Keyboard Layout” in the User Guide.” The sentence above means that it is recommended to refer to the section “Keyboard Layout”, in “Language” in chapter “Device” of the User Guide. |

- Orientation of paper is described in this guide as follows:

 , Short Edge Feed (SEF): Loading the document or paper in portrait orientation when viewed from the front of the printer.

 , Long Edge Feed (LEF): Loading the document or paper in landscape orientation when viewed from the front of the printer.



Safety Notes

Please read the following instructions carefully before operating the machine and refer to them as needed to ensure the continued safe operation of your machine.




Your FUJIFILM product and supplies have been designed and tested to meet strict safety requirements. These include safety agency evaluation and certification, and compliance with electromagnetic regulations and established environmental standards.

The safety and environment testing and performance of this product have been verified using FUJIFILM materials only.

WARNING: Unauthorized alterations, which may include the addition of new functions or connection of external devices, may impact the product certification. Please contact your local dealer for more information.

This product and recommended supplies have been tested and found to comply with strict safety requirements including safety agency approvals and compliance with environmental standards. Follow the following instructions for safety use.

WARNING: Any unauthorized alteration including an addition of new functions or connection to external devices may not be covered by the product warranty. Contact your local dealer for more information.

Warning Markings		
All warnings and instructions marked on or supplied with the product should be followed.		
	WARNING/CAUTION	This symbol alerts users to areas of the equipment where there is the possibility of personal injury.
	WARNING	This symbol alerts users to areas of the equipment where there are heated or hot surfaces, which should not be touched.
	INSTRUCTION	This symbol alerts users to areas of the equipment which require special attention to avoid the possibility of personal injury or damage to the equipment.

Electrical Safety

This product shall be operated by the power source as indicated on the product's data plate. Consult your local power company to check if your power source meets the requirements.

- Electrical Supply



WARNING: Connect this product to a protective earth circuit.

This product is supplied with a plug that has a protective earth pin. The plug fits only into an earthed electrical outlet. This is a safety feature. If the plug doesn't fit to the outlet, contact an electrician to replace the outlet to avoid risk of electric shock.

Never use an earthed adapter plug to connect the product to the electrical outlet that has no earth connection terminal.

Improper connection of a grounding conductor may cause electric shock.

- Plug the power cord directly into a grounded electrical outlet. Do not use an extension cord. Consult your local dealer to check if an outlet is grounded.
- The power receptacle for the machine must meet the requirements stated on the data plate on the rear of the machine. If you are not sure that your electrical supply meets the requirements, please consult your local power company or a licensed electrician for advice.
- Never touch the power cord with wet hands.
- Do not put an object on the power cord.
- Always keep the plug connection free of dust.
- Only use the power cord supplied with the product or the ones designated by FUJIFILM.
- Cleaning Your Product



WARNING: Do not use aerosol cleaners. Aerosol cleaners can be explosive or flammable when used on electromechanical equipment.

Before cleaning this product, unplug the product from the electrical outlet. Always use materials specifically designated for this product. The use of other materials may result in poor performance and create a hazardous situation. Always unplug this equipment from the electrical outlet before cleaning.

- Disconnect Device
The power cable is the disconnect device for this equipment. It is attached to the back of the machine as a plug-in device. To remove all electrical power from the equipment, disconnect the power cable from the electrical outlet.
- Hold the plug not the cord when unplugging this product.
- Always switch off and unplug the machine when it is not used over an extended period of time.
- Your FUJIFILM machine is equipped with an energy saving device to conserve power when the machine is not in use. The machine may be left on continuously.

Machine Installation

- Do not locate this product where people might step on or trip over the power cord. Always locate the machine on a solid support surface (not on plush carpet) that has adequate strength to support the weight of the machine. Always locate the machine in an area that has adequate ventilation and room for servicing. This equipment should not be placed in a room unless proper ventilation is provided. Please contact your local Authorized dealer for further information.
- Never locate this product in the following places:
 - Near radiators or any other heat sources
 - Near volatile flammable materials such as curtains
 - In a hot, humid, dusty or poorly ventilated environment
 - In direct sunlight
 - Near ovens or humidifiers
- Keep away the packing materials of machine from small children. The thin film may cling to nose and mouth and prevent breathing.
- Always lock the wheels of this product after installation.
- Always locate the output unit inside the rack under the scanning unit.

- Never place this equipment where people might step on or trip on the power cord. This equipment should not be placed in a room unless proper ventilation is provided. Please contact your local Authorized dealer for further information. Never locate the machine near a radiator or any other heat source.

Operational Safety

- The operator's product maintenance procedures are described in the customer documentation supplied with this product. Do not carry out any other maintenance procedures not described in the documentation.
- This product is designed to prohibit operator access to hazardous areas. The hazard areas are isolated from operators by covers or protectors which require a tool to remove. To prevent electric shock and injuries, never remove those covers and protectors.
- To avoid the risk of electric shock and a fire accident, switch off and unplug the product promptly in the following conditions, then contact your local dealer.
 - The product emits smoke or its surface is unusually hot.
 - The product emits unusual noise or odor.
 - The power cord is cracked or worn down.
 - A circuit breaker, fuse or any other safety device becomes activated.
 - Any liquid is spilled into the product.
 - The product is soaked in water.
 - Any part of the product is damaged.
- Do not insert any object into slots or openings of this product. Do not place any of the followings on the product:
 - Liquid container such as flower vases or coffee cups
 - Metal parts such as staples or clips
 - Heavy objects
- Do not use conductive paper, e.g. carbonic paper or coated paper.
- Cleaning Your Product



WARNING: Do not use aerosol cleaners. Aerosol cleaners can be explosive or flammable when used on electromechanical equipment.

- If you need to pull out a tray to remove paper jam, contact your local dealer.
- Always follow all warning instructions marked on or supplied with this product.
- Keep electrical and mechanical safety interlocks active. Keep the safety interlocks away from magnetic materials.
- Do not attempt to remove a paper deeply jammed inside the product, particularly a paper wrapped around the fusing unit or the heat roller. Switch off the product immediately and contact your local dealer.
- Ozone Information
This product produces ozone during normal operation. The ozone produced is heavier than air and is dependent on copy volume. Install the system in a well-ventilated room.

Consumable

- Store all consumables in accordance with the instructions given on its package or container.
- Use a broom or a wet cloth to wipe off spilled toner. Sweep slowly to minimize generation of dust during clean up. Avoid using a vacuum, however, if a vacuum must be used, the unit should be designed for combustible dusts (e.g. explosion rated motor and conductive hose).
- Keep drum cartridges (or drum if not a cartridge type) and toner cartridges out of the reach of children. If a child accidentally swallows toner, spit it out, rinse mouth with water, drink water and consult a physician immediately.
- When replacing drum cartridges (or drum if not a cartridge type) and toner cartridges, be careful not to spill the toner. In case of any toner spills, avoid contact with clothes, skin, eyes and mouth as well as inhalation.
- If toner spills onto your skin or clothing, wash it off with soap and water. If you get toner particles in the eyes, wash it out with plenty of water for at least 15 minutes until irritation is gone. Consult a physician if necessary. If you inhale toner particles, move to a fresh air location and rinse your mouth with water. If you swallow toner, spit it out, rinse your mouth with water, drink plenty of water and consult a physician immediately.

Radio Frequency Emissions (Class A digital device) (USA)

Note: This equipment has been tested and found to comply with the limits for a Class A digital device, pursuant to Part 15 of the FCC Rules. These limits are designed to provide reasonable protection against harmful interference when the equipment is operated in a commercial environment. This equipment generates, uses, and can radiate radio frequency energy and, if not installed and used in accordance with the instruction manual, may cause harmful interference to radio communications. Operation of this equipment in a residential area is likely to cause harmful interference in which case the user will be required to correct the interference at his own expense. Changes or modifications to this equipment not specifically approved by the FUJIFILM Corporation may void the user's authority to operate this equipment.

WARNING: Shielded cables must be used with this equipment to maintain compliance with FCC regulations in the United States.

Product Safety Certification

This product is certified by various NRTLs/NCBs to the safety standards listed below.

- UL60950-1/CSA22.2, No. 60950-1 (USA/Canada) Second Edition
- IEC60950-1:2005, (2nd Edition) and/or EN60950-1:2006+A11 (CB Scheme)

Legal Notice

Copying or printing certain documents may be illegal in your country. Penalties of fines or imprisonment may be imposed on those found guilty. The following are examples of items that may be illegal to copy or print in your country.

- Currency
- Banknotes and checks
- Bank and government bonds and securities
- Passports and identification cards
- Copyright material or trademarks without the consent of the owner
- Postage stamps and other negotiable instruments

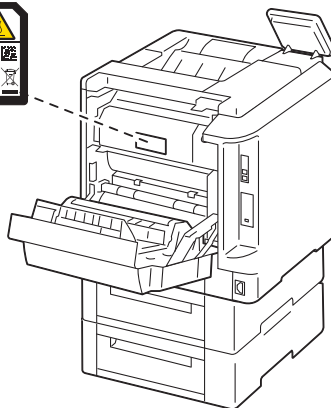
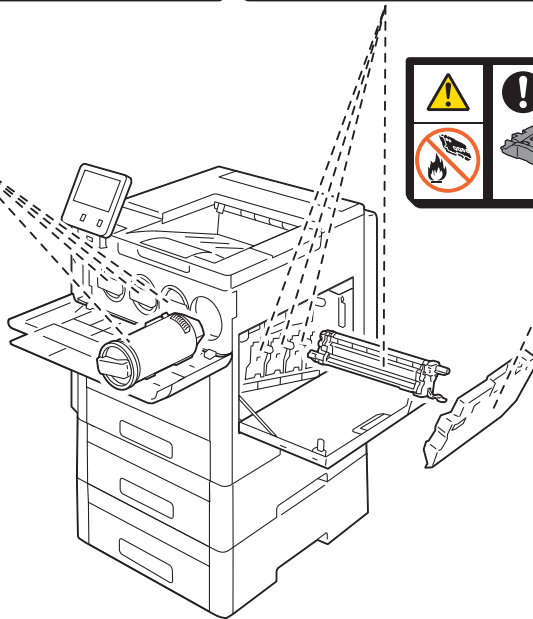
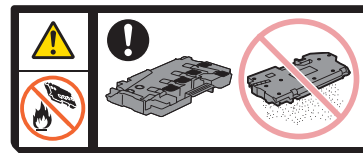
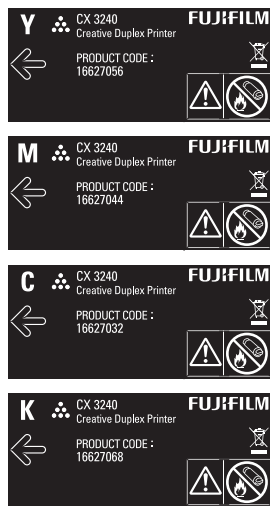
This list is not inclusive and no liability is assumed for either its completeness or accuracy. In case of doubt, contact your legal counsel.

Warning and Caution Labels

Always follow all warning instructions marked on or supplied with this product.

To avoid the risk of burn injuries and electric shock, never touch the area with the “High Temperature” or “High Voltage” marks on.

Two-dimensional bar codes on these labels are used for control of quality, evaluation and inspection.



2

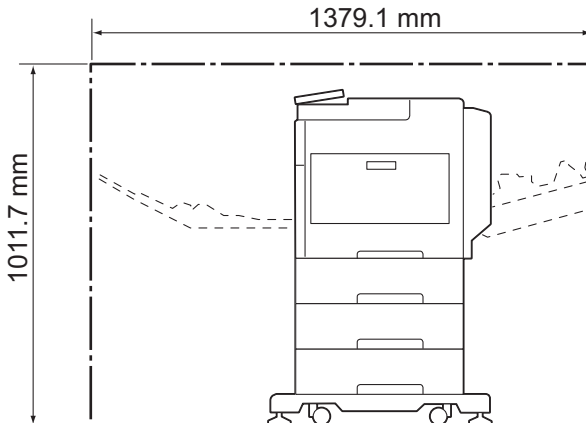
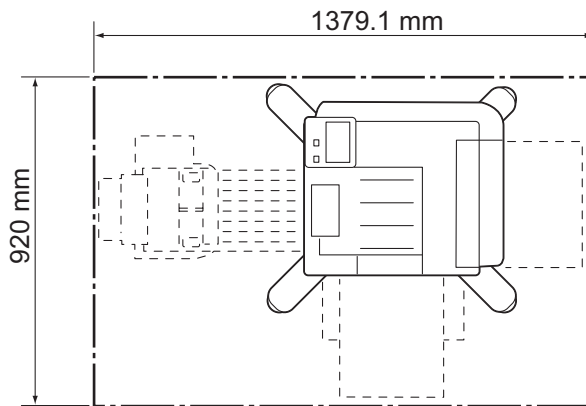
Printer Setup

Connecting and Setting Up Your Printer

To connect your printer to a computer or device, the following specification must be met for each of the connection type:

Connection type	Connection specifications
Ethernet	10BASE-T/100BASE-TX/1000BASE-T
USB	USB3.0

To connect the printer properly and use safely, ensure that there is sufficient clearance on all sides of the printer, as shown below.



Connecting to a Computer or a Network

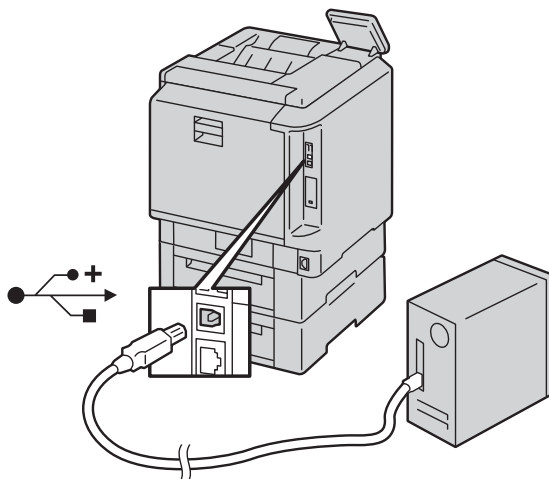
Important

- Before making connections, be sure to turn off the printer.

Connecting to a Computer Using the USB Cable (Direct Connection)

When you use the printer as a local printer, connect the printer to your computer using the USB cable. If you connect your printer to a network instead of your computer, skip this section and go to "Connecting to a Network Using the Ethernet Cable" (P.23).

- 1 Connect the smaller end of the USB cable to the USB port at the rear of the printer.



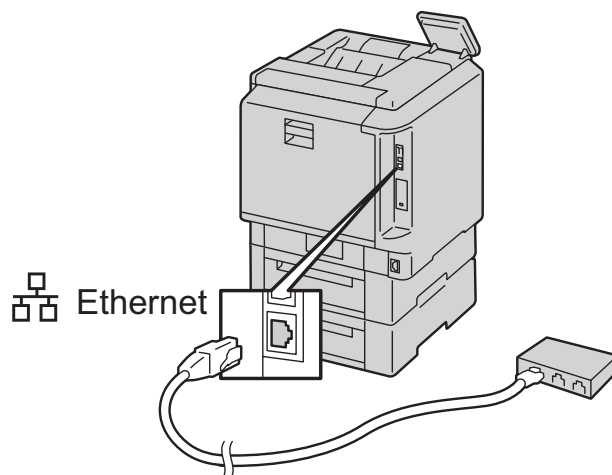
- 2 Connect the other end of the cable to a USB port of the computer.

Important

- Do not connect the printer USB cable to a USB port located on the keyboard.
- The printer's USB port is set to off by factory default. Enable the USB port before submitting a print job from the USB-connected computer. For details, see "USB" (P.84).

Connecting to a Network Using the Ethernet Cable

- 1 Connect the Ethernet cable.



To connect the printer to a network, connect one end of the Ethernet cable into the Ethernet port on the rear of the printer, and the other end to a LAN drop or hub.

Turning On/Off the Printer

Turning On the Printer or Exiting Low Power or Sleep Mode

To turn on the printer, or to exit Low Power mode or Sleep mode, press the Power button.

Note

- The printer exits Low Power mode or Sleep mode automatically by receiving data from a connected device.
- When the printer is in Low Power mode, or Sleep mode, the touch screen is powered off and unresponsive. To wake the printer manually, press the Power button.

Restarting, Placing in Sleep Mode, or Turning Off the Printer

Note

- If the printer does not respond to a single press of the Power button, then press and hold the button for 5 seconds. A Please Wait message appears as the printer powers down.
After 10 seconds, the touch screen goes dark and the Power button flashes until the printer powers down.

1 Press the Power button on the control panel.

2 Select an option.

- To restart the printer, select [Restart].
- To place the printer in Sleep mode, select [Sleep].

Note

- In Sleep mode, the touch screen goes dark and the Power button flashes.
- To turn off the printer, select [Power Off].

Configuring Initial Settings on the Touch Screen

When you turn on the printer for the first time, the install wizard screen to perform the initial setup appears on the touch screen. Follow the wizard to configure the initial settings, including the following:

- Language
See "Language" (P.60).
- Date & Time
See "Date & Time" (P.61).
- Measurements
See "Measurements" (P.61).

The printer is ready for use after touching [Done] on the [Install Complete] screen that appears at the end of the settings.

Setting the IP Address

Assigning an IP Address

You can select the IP mode from Dual Stack, IPv4, and IPv6. If your network supports both IPv4 and IPv6, select Dual Stack.

Select the IP mode of your environment, and then set IP address, subnet mask (for IPv4 only), and gateway address.

Important

- Assigning an IP address that is already in use can cause network communication issues.

Note

- Assigning an IP address is considered as an advanced function and is normally done by a system administrator.
- When you assign an IP address manually in IPv6 mode, use the Printer Configuration Web Tool. To display the Printer Configuration Web Tool, use the link-local address. To confirm the link-local address, print a configuration report and check the IPv6 link-local address.
See "Information Pages" (P.60).

Assigning an IPv4 Address Using the Touch Screen

- 1** Press the Home button.
- 2** Touch [Device] > [Connectivity].
- 3** Touch [Ethernet].
- 4** Touch [IPv4].
- 5** Touch the [Enable IPv4] slider to turn it on.
Make sure that [Mode] is set to [Static].
- 6** Touch [IPv4 Address].
- 7** Enter the IPv4 address using the number pad, and then touch [Enter].
- 8** Touch [Gateway Address].
- 9** Enter the gateway address using the number pad, and then touch [Enter].
- 10** Touch [Subnet Mask].
- 11** Enter the subnet mask using the number pad, and then touch [Enter].
- 12** Touch [OK], or touch [Restart] if you change the mode in Step 5.

Verifying the IP Settings

You can confirm the settings by using the touch screen or printing the configuration report.

Verifying the IPv4 Settings Using Touch Screen

- 1** Press the Home button.
- 2** Touch [Device] > [About].
- 3** Verify the IP address displayed in [IPv4:] under [Network].

Verifying the IPv4 Settings Using Configuration Report

- 1** Print the configuration report.
- 2** Verify the correct IPv4 IP address, subnet mask and gateway address are listed in the configuration report.

If the IP address shows "0.0.0.0" (the factory default), an IP address has not been assigned. To assign one for your printer, see "Assigning an IPv4 Address Using the Touch Screen" (P.26).

Installing Printer Driver on the Computer

Configuration on the Computer

To print from the printer, you need to install a print driver on your computer.

Reference

- For information on the driver installation procedures, refer to the Media Information contained in the Media (Software/Product Manual).

3

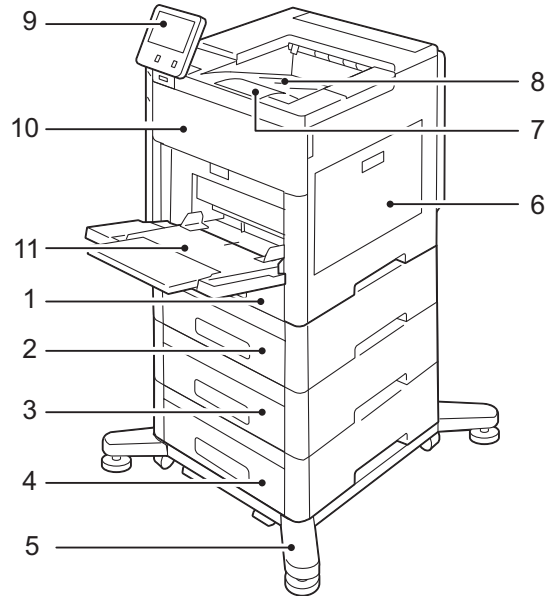
Product Overview

Machine Components

The following describes machine components and their functions.

Front and Rear Views

Front View (With All Options Installed)

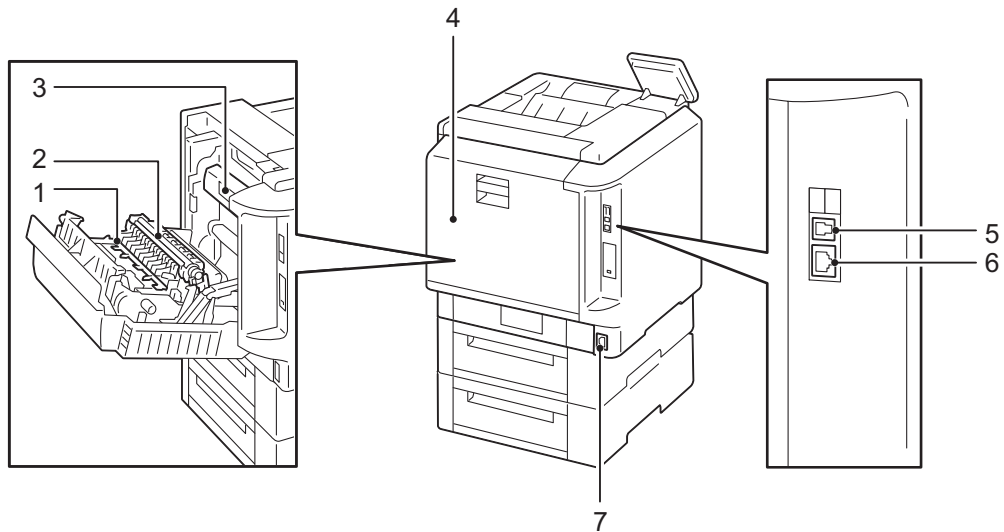


- 1 Tray 1
- 2 Tray 2
- 3 Tray 3
- 4 Tray 4
- 5 Caster
- 6 Right-Side Door
- 7 Output Tray Extension
- 8 Output Tray
- 9 Touch Screen
- 10 Front Door
- 11 Bypass Tray

Note

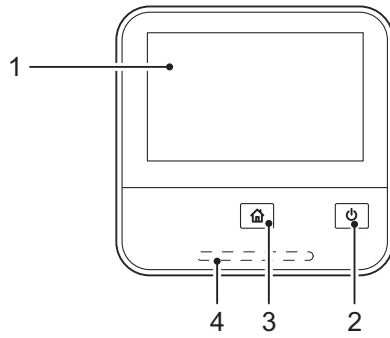
- Hereafter, if not required for the explanation, this guide uses the illustrations of the printer not equipped with Tray 4 and Caster.

Rear View



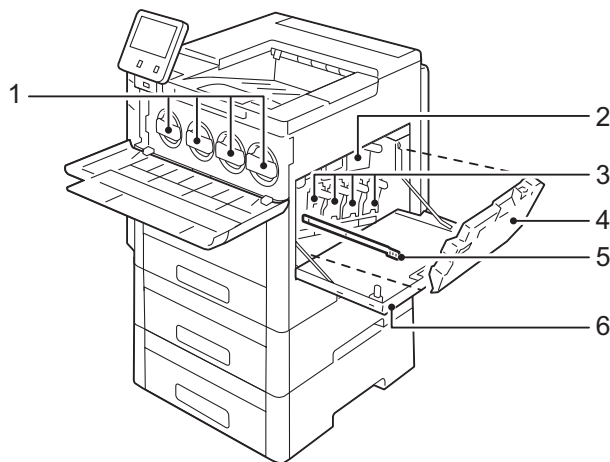
- 1 Filter
- 2 Transfer Roller
- 3 Fusing Unit
- 4 Rear Door
- 5 USB Port, Type B
- 6 Ethernet Port
- 7 Power Connector

Control Panel



- 1 Touch Screen Display
- 2 Power Button
- 3 Home Button
- 4 Status LED

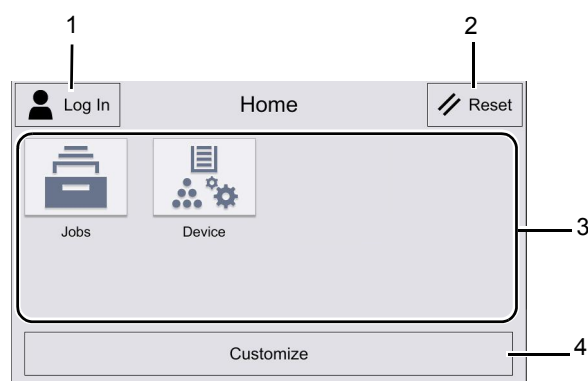
Internal Parts



- 1 Toner Cartridges
- 2 Transfer Belt
- 3 Drum Cartridges
- 4 Waste Cartridge
- 5 Cleaning Rod
- 6 Right-Side Door

Touch Screen

About the Home Screen



- 1 Log In
- 2 Reset
- 3 Tiles
- 4 Customize

◆ Log In

Select this button to log in.

◆ Reset

Resets the printer.

◆ Tiles

Displays the tiles of the functions you can select from.

◆ Customize

Select this button to change the tile layout.

Basic Operations on the Touch Screen

You can operate the touch screen as with a smartphone or a tablet.

To Select an Item on the Screen

Touch the item.

To Scroll the Screen or the Listed Items

Swipe the screen by dragging your finger on the screen.

To scroll faster, flick the screen.

Note

- You cannot swipe or flick on some screens depending on the screen design and specifications. In this case, operate by touching the buttons shown on the screen.

Moving, Adding or Removing the Tiles

Touch [Customize] to change the tile layout.

To Move the Tiles

Touch and hold the tile you want to move, and drag it to the desired place.

Touch [Done] to save the changes.

To Add the Tiles

Touch [Add] and select the item you want to add.

Touch [Done] to save the changes.

To Remove the Tiles




Touch the [X] icon on the tile you want to remove.

Touch [Done] to save the changes.

Using the Keyboard Displayed on the Touch Panel

During operations, a keyboard for entering text sometimes appears. The following describes how to enter text.

- Entering alphabets

To enter uppercase letters, touch . To return to the lowercase letters, touch  again. To lock to the uppercase letters, double-touch .

To enter the accented versions of each letter, touch and hold the key for the letter you want to accent and select the desired letter.

- Entering numbers and symbols

Touch .

Touch  to enter more symbols.


- Entering a space

Touch .

- Deleting characters

Touch  to delete one character at a time.

- Changing the language

Touch .

- Closing the keyboard

Touch .

Changing the Language and Keyboard Layout

To change the language and keyboard layout used on the touch panel:

- 1** On the Home screen, select [Device].
- 2** Select [Language].
- 3** See "Language" (P.60) to change the language and keyboard layout.
- 4** Select [OK] on the [Language] screen to save the settings.

Setting the Power Saver Timers

You can set the power saver timers for the printer. The printer enters the power saver mode when the printer is not used for a certain period of time.

- 1** On the Home screen, select [Device].
- 2** Select [General], and then [Power Saver].
- 3** See "Power Saver" (P.62) to change the values of [Low Power Timeout] and [Sleep Timeout].
- 4** Select [OK].

4

Paper

Paper Types

This section describes the kinds of paper available for this printer.

Use of unrecommended paper may result in paper jams, lower print quality, malfunctions, or damage to the printer. To use the printer at its best performance, use the suggested paper that is recommended here. For detail information about paper and media, contact your local dealer.

WARNING

Do not use conductive paper, e.g. carbonic paper or coated paper.

Important

- Moisture generated by water, rain, or vapor may cause the printed images to fade. For more information, contact your local dealer.

Supported Paper

The following table lists the supported paper sizes, paper types, and the capacity of each paper tray.

Paper Tray	Paper Size	Basis Weight	Loadable Quantity	Loadable Paper
Tray 1	A4, Letter, 7" × 10", 4" × 8" ^[*] , 5" × 7", 3.5" × 5", Custom size (Width: 88.9 mm to 215.9 mm (3.5" to 8.5"), Length: 127 mm to 355.6 mm (5" to 14"))	140 to 324 gsm	Up to 59.4 mm in height	Lightweight Cardstock (140 to 176 gsm) Cardstock (177 to 219 gsm) Extra Heavyweight Plus (220 to 269 gsm) Heavyweight 4A (270 to 324 gsm) Heavyweight 4B (270 to 324 gsm) Lightweight Glossy Cardstock (140 to 169 gsm) Glossy Cardstock (170 to 219 gsm)
Trays 2 to 4	A4, Letter, 7" × 10", 4" × 8" ^[*] , 5" × 7", Custom size (Width: 88.9 mm to 215.9 mm (3.5" to 8.5"), Length: 177.8 mm to 355.6 mm (7" to 14"))			Extra Heavyweight Glossy (220 to 269 gsm) Coated 4A (270 to 324 gsm) Coated 4B (270 to 324 gsm)
Bypass Tray	A4, Letter, 7" × 10", 4" × 8" ^[*] , 5" × 7", 3.5" × 5", Custom size (Width: 88.9 mm to 215.9 mm (3.5" to 8.5"), Length: 127 mm to 355.6 mm (5" to 14"))	140 to 220 gsm	Up to 16.5 mm in height	Lightweight Cardstock (140 to 176 gsm) Cardstock (177 to 219 gsm) Lightweight Glossy Cardstock (140 to 169 gsm) Glossy Cardstock (170 to 219 gsm)

[*]Prepared as the preset paper size, but not guaranteed.

Important

- Printing on paper that differs from the paper type and size selected in the print driver, or printing from a tray that does not support the loaded paper may result in a paper jam. To ensure correct printing, select the correct paper size, paper type, and paper tray.

To print as clear as possible, we recommend the following paper.

Product Name	Size	GSM (g/m ²)
Mohawk Everyday Digital Smooth white	3.5" × 5"	324
Mohawk Everyday Digital Smooth white	5" × 7"	324
Mohawk Everyday Digital Smooth white	7" × 10"	324
Mohawk Everyday Digital Coated Silk white	7" × 10"	324
Neenah Classic Crest Eggshell Digital	5" × 7"	324
Mohawk Via i-tone Linen	5" × 7"	298
Xerox Color Xpressions Planet 20	7" × 10"	270
Xerox Bold Digital Coated Satin Printing Paper	Letter (8.5" × 11")	140

You can also use Round Corner and Folded paper.

For detail information about supported paper, contact your local dealer.

Unsupported Paper

Using paper not mentioned above may cause a paper jam or machine malfunction.

The following paper cannot be used with the printer.

- Plain Paper
- Transparencies
- Symphony (Pastel Pink etc.)
- Damp or wet paper
- Paper pre-printed with other printer or copying machine
- Wrinkled, creased, or ripped paper
- Envelopes
- Color paper with surface treatments
- Paper with rough surface, such as pulp paper or fibrous paper

Storing and Handling Paper

■ Please keep the following points in mind when storing paper

- Store paper inside a dry place. Paper that has absorbed moisture can result in paper jams and lower image quality.
- After opening a package of paper, wrap and store any remaining paper. We recommend that you store remaining paper in moisture prevention packets.
- Store paper on a flat surface to prevent bends or warping.

■ Please adhere to the following points when loading paper in a tray

- Align the stack of paper neatly before setting it in a tray.
- Do not use paper that is creased or wrinkled.
- Do not use warped or curled paper.
- Do not load paper of mixed sizes together into a tray.

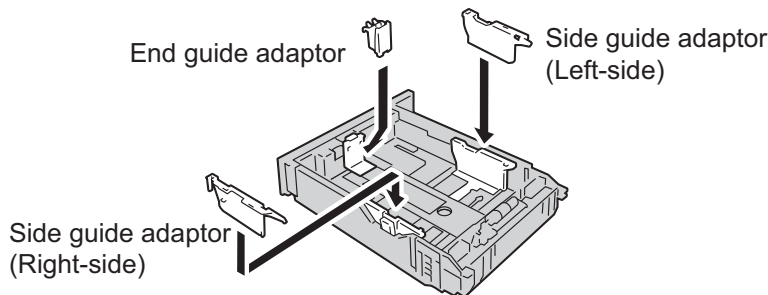
Loading Paper

This section describes how to load paper.

Loading Paper in Trays 1 to 4

The following describes the procedure for loading paper in Trays 1 to 4.

You need to install the adaptors to paper trays before loading paper depending on the paper size. Refer to the tables below and install correct adaptors.



■ Preset Size Paper

Paper Size	End Guide Adaptor	Side Guide Adaptors	Available Paper Tray
3.5" × 5"	Required	Required	Tray 1 only
5" × 7"	Don't care	Don't care	Trays 1 to 4
4" × 8"	Don't care	Don't care	Trays 1 to 4
7" × 10"	Don't care	Don't care	Trays 1 to 4
A4	Need to remove	Don't care	Trays 1 to 4
8.5" × 11" (Letter)	Need to remove	Need to remove	Trays 1 to 4

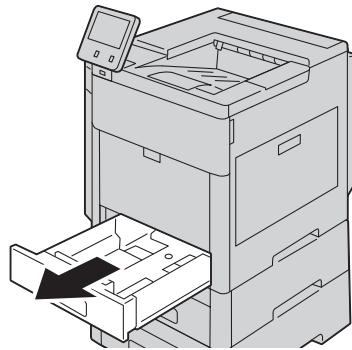
■ Custom Size Paper

Paper Size (Width × Length)	End Guide Adaptor	Side Guide Adaptors	Available Paper Tray
88.9 mm to 127 mm × 127 mm to less than 148 mm	Required	Required	Tray 1 only
Over 127 mm to 210 mm × 148 mm to 322 mm	Don't care	Don't care	Depends on paper length ^[*]
Over 210 mm to 215.9 mm × Over 322 mm to 355.6 mm	Need to remove	Need to remove	Trays 1 to 4

[*] For details, refer to "Paper Size" under "Specifications" (P.230).

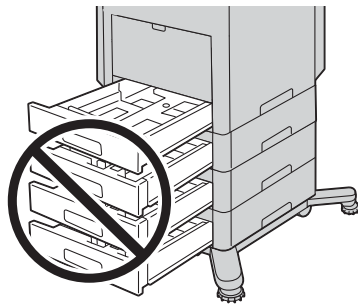
Loading paper without adaptors

- 1 Pull out the tray until it stops, and then lift the front of the tray slightly. Now you can remove the tray from the printer.

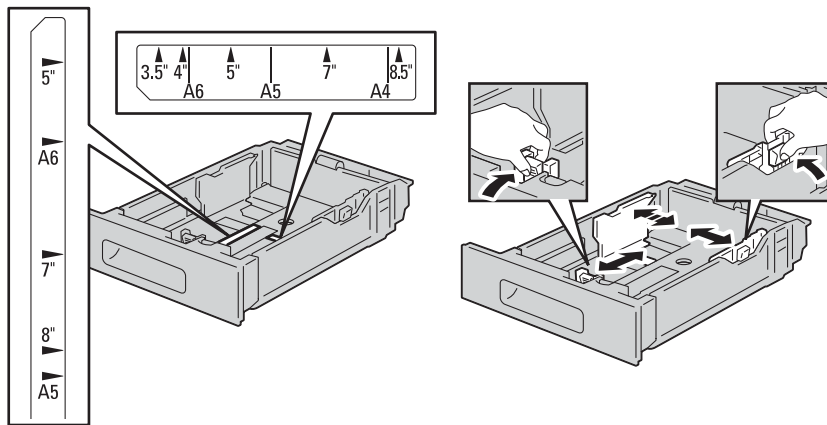


Important

- Do not pull out multiple trays at the same time. Otherwise, the printer gets inclined and turns over, which may cause injuries.

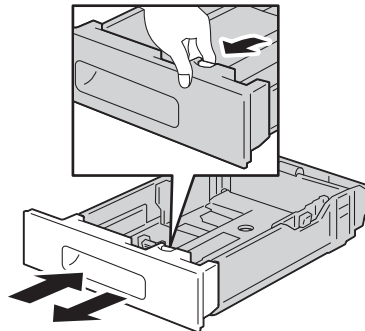


2 Adjust the paper guides as illustrated.

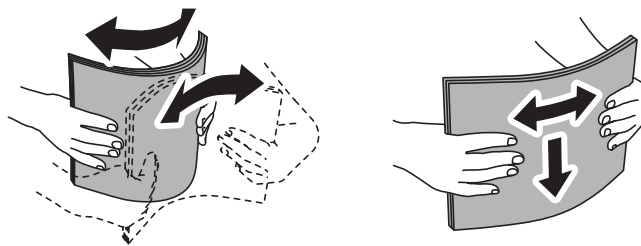


When you use paper longer than 297 mm (length of A4), you need to extend the front of the tray. Press the release latch, then pull the front part out.

Note that, in this case, the paper tray protrudes from the front of the printer.



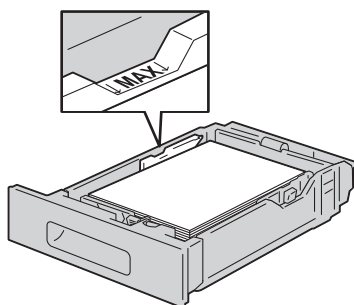
3 Fan the paper well, and align the edges of the paper stack on a level surface to avoid paper jams and mis-feeds.



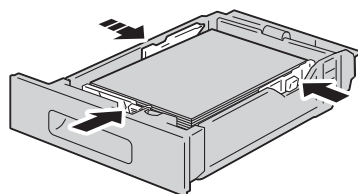
- 4 Load paper into the tray with the print side face up.

Note

- Do not load paper above the maximum fill line. It may cause paper jams or machine malfunction.



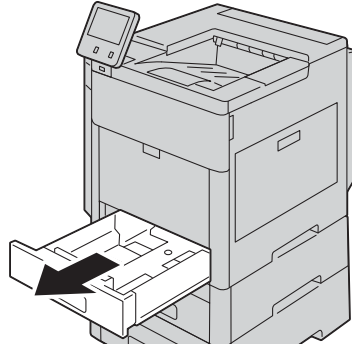
- 5 Adjust the paper guides to align the edges of the paper loaded.



- 6 Insert the tray into the printer.
- 7 If [Tray Mode] is set to [Fully Adjustable], set the paper setting after a confirmation screen appears on the touch screen. For details, see "Paper Tray Confirmation Screen" (P.50).

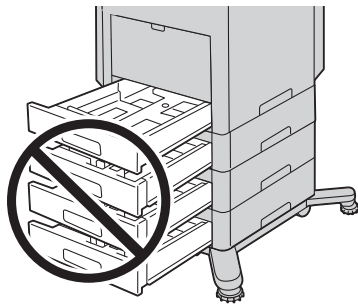
Loading paper with adaptors

- 1 Pull out the tray until it stops, and then lift the front of the tray slightly. Now you can remove the tray from the printer.

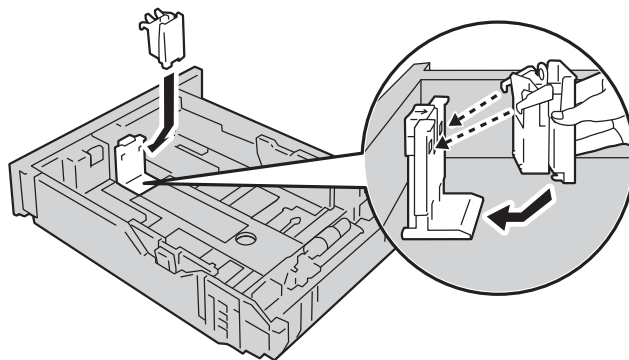


Important

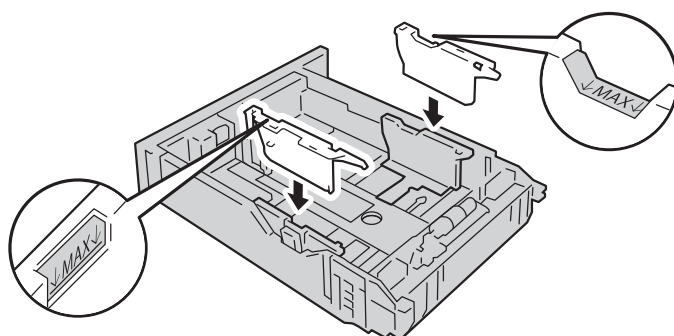
- Do not pull out multiple trays at the same time. Otherwise, the printer gets inclined and turns over, which may cause injuries.



- 2 Mount the end guide adaptor on the paper guides on the front side of the tray interior.



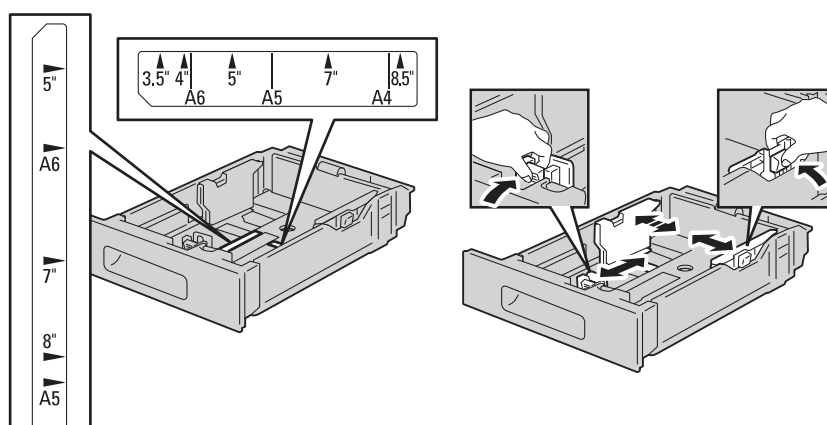
- 3** Mount the side guide adaptors on the paper guides on the right and left sides of the tray interior (if necessary).



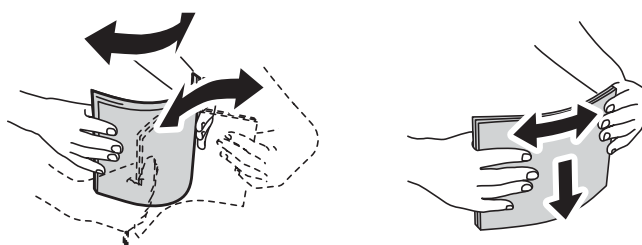
Note

- The shapes of two side guide adaptors are different. Be sure not to mistake right and left parts, as well as their mounting directions.
- Confirm that the slits of side guide adaptors correspond to the "MAX" labels of the paper guides.

- 4** Adjust the paper guides with the adaptors as illustrated.



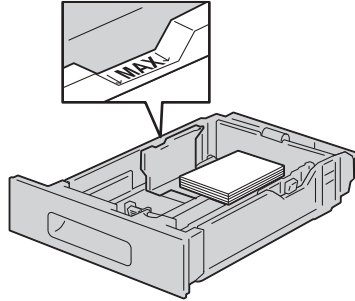
- 5** Fan the paper well, and align the edges of the paper stack on a level surface to avoid paper jams and mis-feeds.



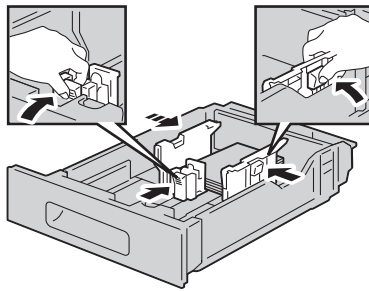
- 6 Load paper into the tray with the print side face up.

Note

- Do not load paper above the maximum fill line. It may cause paper jams or machine malfunction.



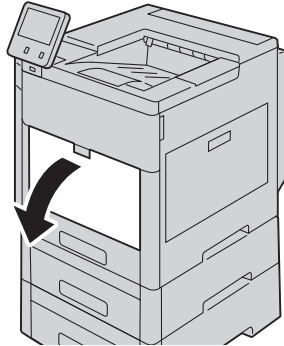
- 7 Adjust the paper guides to align the edges of the paper loaded.



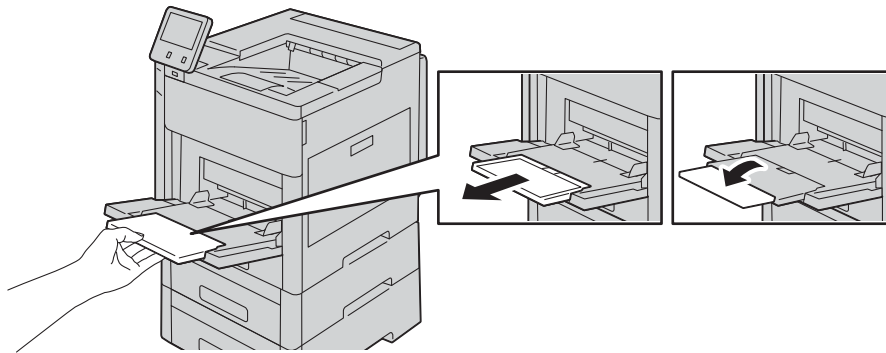
- 8 Insert the tray into the printer.
- 9 If [Tray Mode] is set to [Fully Adjustable], set the paper setting after a confirmation screen appears on the touch screen. For details, see "Paper Tray Confirmation Screen" (P.50).

Loading Paper in Bypass Tray

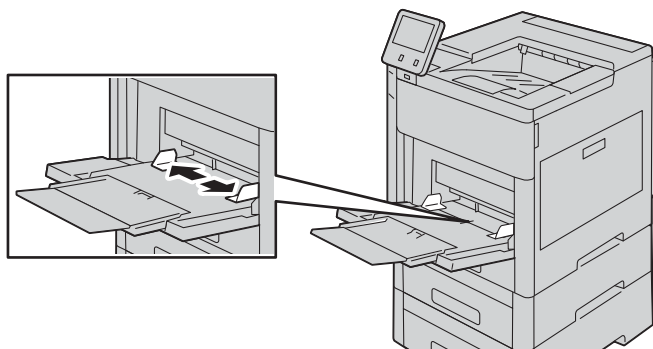
- 1 Open the Bypass Tray. If the Bypass Tray is loaded with paper already, remove any different size or type of paper.



- 2 Pull out the extension tray for larger sizes.



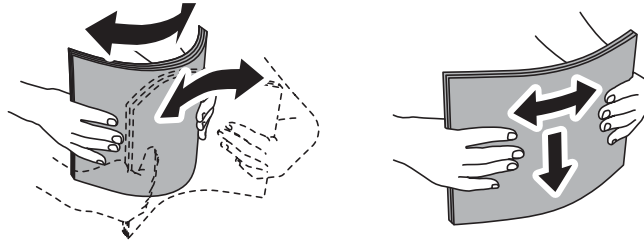
- 3 Move the paper guides toward the outside edges of the tray.



- 4 Fan the paper well, and align the edges of the paper stack on a level surface to avoid paper jams and mis-feeds.

Note

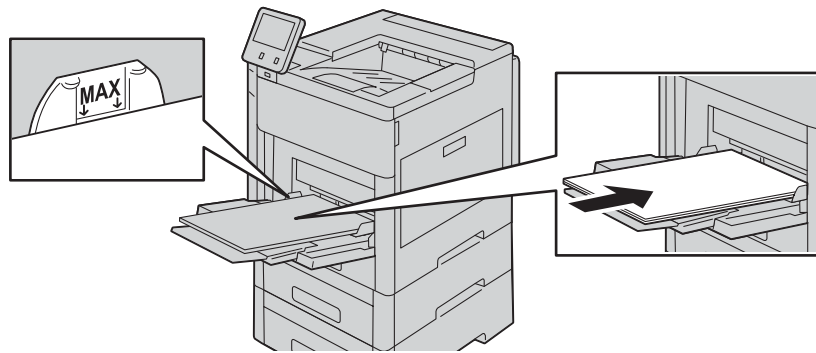
- Do not unpack paper until you are ready to use the paper.



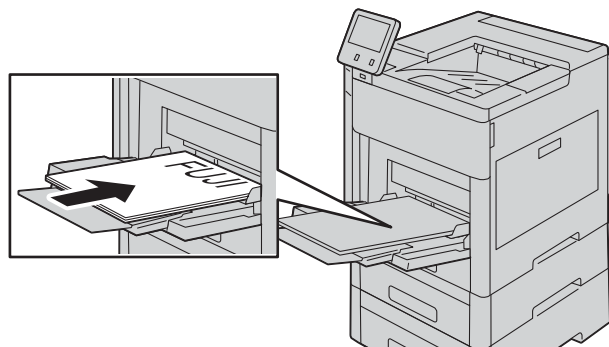
- 5 Load the paper in the tray.

Note

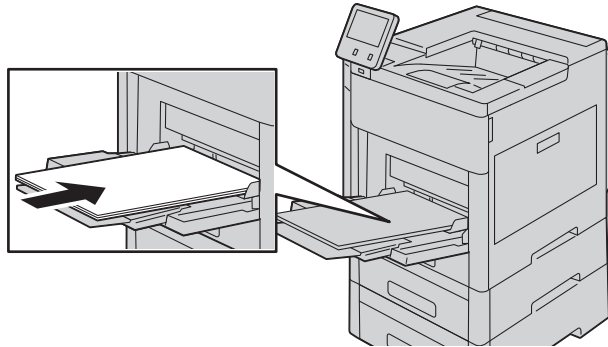
- Do not load paper above the maximum fill line on the paper guides. It may cause paper jams or machine malfunction.



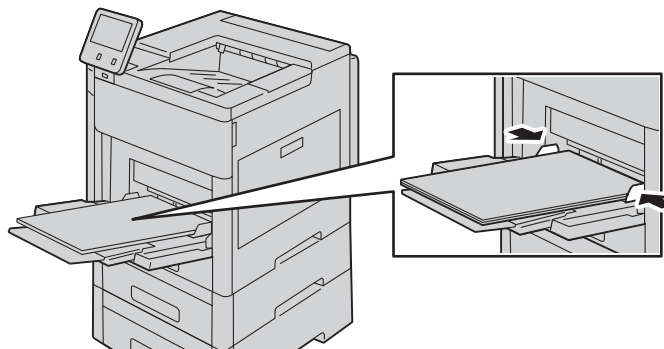
- For 1-sided printing, load letterhead or pre-printed paper face up with the top edge going into the printer.



- For 2-sided printing, load letterhead and pre-printed paper face down with the top edge going into the printer.



- 6** Adjust the paper guides to align the edges of the paper loaded.



- 7** Set the paper setting after a confirmation screen appears on the touch screen. For details, see "Paper Tray Confirmation Screen" (P.50).

Setting the Tray Mode

Tray Mode defines the printer behavior when a paper conflict or mismatch occurs.

Configuring the Tray Mode for Trays 1 to 4

- 1 Press the Home button.

Note

- Perform the operation with administrator authentication.

- 2 Select [Device] > [Paper Trays].

- 3 Select the desired tray.

- 4 Select [Tray Mode].

- 5 Select the desired mode:

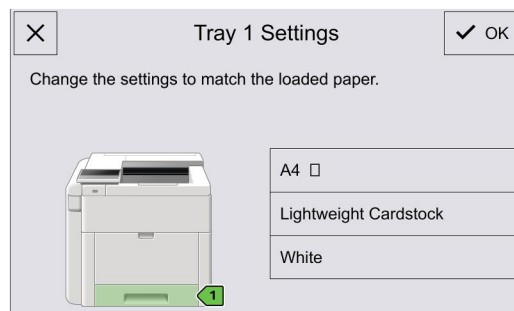
- [Fully Adjustable] prompts you to confirm or modify paper tray settings when paper is loaded in the tray.
- [Dedicated] uses the current paper size and type settings and does not prompt you to confirm or modify the settings. Select this setting to use the tray for printing on a specific paper type and size, such as letter-size paper.

- 6 Select [OK] to save the settings.

- 7 Press the Home button.

Paper Tray Confirmation Screen

When you load paper in a paper tray and close the tray, a confirmation screen appears when [Tray Mode] is set to [Fully Adjustable].



To change the paper type, size, and color, touch each current setting and then select an appropriate value from the list.

After you have confirmed that the setting is the same as loaded paper, touch [OK] to save the settings.

5

Printing

Printing

This section covers tips for printing, how to send print data to the printer from your computer, and how to cancel a job.

Sending a Job to Print

Install the printer driver to use all the features of the printer. When you choose [Print] from an application, a window representing the printer driver opens. Select the appropriate settings for the specific job that you are sending to print. Print settings selected from the driver override the default menu settings selected from the touch screen.

You may need to click [Preferences] from the initial [Print] box to see all of the available system settings. If you are not familiar with a feature in the printer driver window, open the Help for more information.

If the specified paper tray is empty, the LED lights and an alarm sounds to let you know the paper loss. See "Loading Paper in Trays 1 to 4" (P.40) or "Loading Paper in Bypass Tray" (P.47) for information on how to load paper.

Printing a file from a typical Microsoft® Windows® application

- 1 Open the file you want to print.
- 2 From the [File] menu, select [Print].
- 3 Verify that the correct printer is selected in the dialog box. Change the print settings if needed.
- 4 Click [Preferences] to adjust system settings that are not available from the first screen, and then click [OK].
- 5 Click [OK] or [Print] to send the job to the selected printer.

Canceling a Print Job

You can cancel a job using the touch screen or a computer.

Canceling a Job From the Touch Screen

■ Canceling a Job From the [Jobs] Screen

- 1 Press the Home button.
- 2 Select [Jobs].
- 3 Select the job to cancel.
- 4 Select [Delete].

■ Canceling a Job From the Banner

- 1 Touch the banner which is displayed during the printing process.

Note

- The banner will be hidden if you touch the arrow button on the right end of the banner. When the banner is not displayed on the screen, cancel the job from the [Jobs] screen.

- 2 Select [Delete].

Canceling a Job From a Computer

■ Canceling a Job From the Taskbar (Windows® Only)

When you send a job to print, a small printer icon appears in the bottom right corner of the taskbar.

- 1 Double-click the printer icon.
A list of print jobs appears in the printer window.
- 2 Select the job you want to cancel.
- 3 Press the <Delete> key.

Borderless Printing

Borderless Printing allows you to print the image on the whole area of paper.

To make a borderless print, specify the custom size slightly larger than the real size of paper at the printer driver.

The following procedure uses a typical Windows® program on Windows® 7/Windows® 10 as an example.

- 1 Open the file you want to print.
- 2 Open the print dialog box from the program.
- 3 Select the print driver, and then click [Preferences].
Note
 - The menu names may vary depending on the program you use.
- 4 Open the [Paper] drop-down list then click [Size] > [Custom].
- 5 Set the custom paper size slightly larger than the size of the loaded paper according to the following rules:
 - If the length of paper is longer than 7" (177.8 mm), set 4 mm (2 mm each) longer for both width and length.
 - If the length of paper is 7" (177.8 mm) or less, set 6 mm (3 mm each) longer for both width and length.

■ Examples of commonly used sizes:

Paper Size	Values to Set	
	Width (mm)	Length (mm)
A4 (210 × 297 mm)	214.0	301.0
7" × 10" (177.8 × 254 mm)	181.8	258.0
4" × 8" (101.6 × 203.2 mm)	105.6	207.2
5" × 7" (127 × 177.8 mm)	133.0	183.8
3.5" × 5" (88.9 × 127 mm)	94.9	133.0

Note

- Confirm that [Millimeters] is selected for [Units].

- 6 Click [OK].
- 7 Open the [Image Options] tab.
- 8 Select [None] for [Margins].
- 9 Click [OK].
- 10 Click [Print].

Duplex Printing

Duplex printing allows you to print on both sides of a sheet of paper.

Duplex Printing With Duplex Unit

The following procedure uses a typical Windows® program on Windows® 7/Windows® 10 as an example.

- 1 Open the file you want to print.
- 2 Open the print dialog box from the program.
- 3 Select the print driver, and then click [Preferences].
- 4 Select a paper tray to use by clicking [Paper] > [Select By Tray].
- 5 Open the [2-Sided Print] drop-down list and select [2-Sided Print] or [2-Sided Print, Flip on Short Edge].

Note

- For details on the [2-Sided Print] and [2-Sided Print, Flip on Short Edge] options, see "Using Booklet Print" (P.55).

- 6 Click [OK].
- 7 Click [Print].

Using Booklet Print

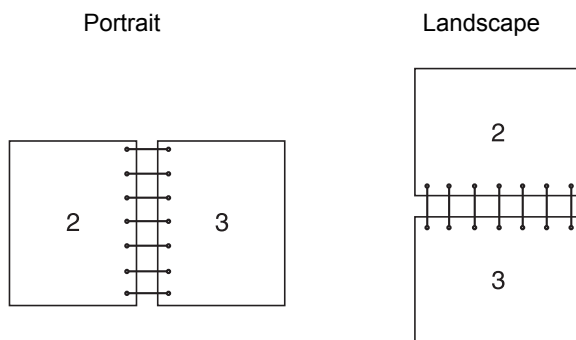
To use the booklet print feature, select the [Booklet Layout] check box in the [Layout/Watermark] tab.

Note

- When the XML Paper Specification (XPS) is used, booklet print is not available.

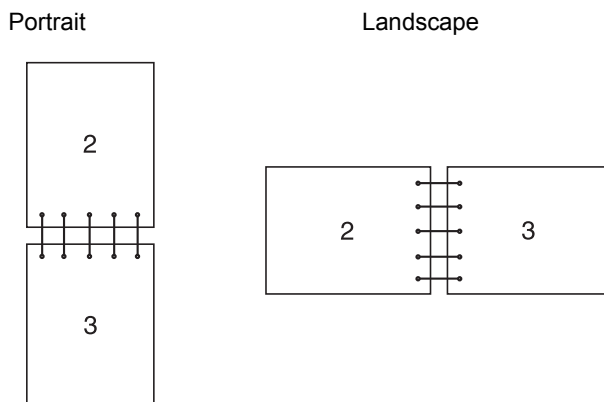
◆2-Sided Print

Assumes binding along the long edge of the page (left edge for portrait orientation and top edge for landscape orientation). The following illustration shows long-edge binding for portrait and landscape pages:



◆2-Sided Print, Flip on Short Edge

Assumes binding along the short edge of the page (top edge for portrait orientation and left edge for landscape orientation). The following illustration shows short-edge binding for portrait and landscape pages:



Using Stored Print

When you send a job to the printer, you can specify in the printer driver to store the job in the memory. When you are ready to print the job, go to the printer and use the touch screen to identify which job in the memory you want to print.

Note

- The data in the memory is cleared when the printer is turned off.
- The maximum number of stored print jobs is 1,000 per user ID.
- The print job will be aborted and a notification will be displayed if either the maximum storage capacity or the maximum number of stored jobs is reached.
- The stored print feature is available when using the PCL printer driver.

Overview

You can specify the following job types in the printer driver.

■ Secure Print

You can temporarily store print jobs secured with a password in the memory. Users with the password can print them from the touch screen. This feature can be used to print confidential documents. A stored print job will be deleted after you print it or at a designated time.

Select [Secure Print] from [Job Type] in the [Paper/Output] tab of the printer driver. Then click [Setup] button to configure the authentication information for the job.

■ Sample Set

The collated print job is stored in the memory, but a single copy is printed automatically so you can check the print result. If you do not have problems with the print result, you can choose to print more copies. This prevents large number of misprinted copies from being printed at one time.

Select [Sample Set] from [Job Type] in the [Paper/Output] tab of the printer driver.

Note

- For details about a printer driver feature, see the help of the printer driver.

Printing Sample Set Jobs

After you check the sample set automatically printed, operate the touch screen to print all of the copies.

- 1 Press the Home button.
- 2 Select [Jobs].
- 3 Select a job to print.

Printing Secure Print Jobs

This section describes how to print the Secure Print jobs.

■ In case of you are logged in except Simple authentication

If authentication is enabled and the user ID on the secure print jobs matches the login user ID on the device, you can access the secure print jobs without entering the passcode specified at the printer driver.

- 1 Press the Home button.
- 2 Select [Jobs].
- 3 Select [Secure Jobs].
- 4 Your secure print jobs are displayed. Select a job to print.

Note

- If you want to print all jobs, select [Print All]. If you want to delete all jobs, select [Delete All].

■ In case of you are not logged in

If authentication is not enabled or you are logged in using Simple authentication, use following procedure.

- 1** Press the Home button.
- 2** Select [Jobs].
- 3** Select [Secure Jobs].
- 4** Secure print users' folders are displayed. Select your folder.
- 5** Enter the passcode that you specified on the printer driver and select [OK].
- 6** Your secure print jobs are displayed. Select a job to print.

Note

- If you want to print all jobs, select [Print All]. If you want to delete all jobs, select [Delete All].

Deleting a Print Job

To delete printing a job, use the following procedure.

- 1** Press the Home button.
- 2** Select [Jobs].
- 3** Select a job to delete.
- 4** Select [Delete].

Note

- Secure Print jobs will be deleted after printing.
- Existing jobs will be deleted at a time designated in the Printer Configuration Web Tool. For details, see "Stored Print Job Settings" (P.80).

6

Setting Menus on Touch Screen

Device App

The [Device] app allows you to view the printer status and set the general settings of the printer.

Note

- The displayed features may vary depending on your settings.
- Some setting menus are available only when logging in as the system administrator. For information on the user types and how to log in to the printer, see "Authentication Features" (P.119).
- You can scroll the feature list up and down.

Language

Language

Select the language you want to use on the touch panel.

■ Keyboard Layout

Select a keyboard layout on the touch panel.

To preview the layout, touch [View Keyboard].

■ Language Option On Home

Allows you to select whether to display the shortcut icon of the [Language] menu.

About

Displays the general, contact, and network information of the printer.

Information Pages

Allows you to print reports or lists.

- [Configuration Report]
- [Billing Summary Report]
- [PCL Font List]
- [Startup Page]
- [Job History Report]

Notifications

Displays the notifications from the printer such as the fault status, replacement period, and other important messages in the order of severity.

You can check the details or associated pages by selecting each notification.

Fault History

Selecting [History] displays [Fault History].

The faults are displayed from newest to oldest in descending order.

Paper Trays

See "Trays" (P.75).

Supplies

See "Supplies" (P.76).

Billing/Usage

Selecting [Billing/Usage] allows you to check the billing information. The [Billing/Usage] screen shows [Serial Number], [Counter] and [Usage Counters].

In the [Usage Counters] screen, you can check the detailed usage counters. You can filter the counters by setting the filter (set to [All] by default) over the counter.

General

Measurements

■ Units

Allows you to select a unit of measurement displayed on the screen from [Millimeters] and [Inches].

■ Paper Size Preference

Allows you to select the unit of default paper size to be used for printer settings.

To use the A4 size paper for the following printer settings by default and to set the [Units] setting to [Millimeters], select [Metric].

To use the Letter size paper for the following printer settings by default and to set the [Units] setting to [Inches], select [Inch].

- Default paper size for printing
- Default custom paper sizes displayed on the screen for each paper tray
- Default paper size of each paper tray and the bypass tray

Date & Time

Set the date and time for the system clock of the printer. The date and time set here will be printed on all lists and reports.

■ Set Automatically

Select this to set the date and time automatically according to the time server.

If you do not select this, you can set the time zone, date and time, and daylight saving time manually.

■ Time Server (SNTP)

Touch this to set the time server.

◆ Server Address

Enter a server address.

■ Time Zone

Sets the region and time zone.

■ Date & Time

Sets the date and time.

■ Daylight Savings Time

Select this to enable daylight saving time.

■ Date Format

Select a date format.

- [mm/dd/yyyy]
- [dd/mm/yyyy]
- [yyyy/mm/dd]

■ Use 24 Hour Clock

Select this to use 24-hour clock. To use 12-hour clock, deselect this.

System Timeout

Specify the time lapsed without any operation on the touch screen until the printer resets the settings automatically.

Display Brightness

You can adjust the brightness of the touch panel between level 1 and level 7.

Sounds

■ Enable Sounds

Select this to activate sounds. Touch an event, and use the slider bar to set the volume of the sound.

◆ Touch

Sounds when you touch an item on a screen displayed on the touch screen correctly.

◆ Job Completion

Sounds when a job is completed successfully.

◆ Log In

Sounds when you log in to the printer.

◆ Error/Fault

Sounds when a job fails or an error occurs.

◆ Power

Sounds when the printer is ready for operation, or is powered on.

Power Saver

The Power Saver mode has two modes: Low Power and Sleep. When a specified period of time has elapsed, the printer switches to these modes in the following order to reduce power consumption.

Last operation on the printer → Low Power mode → Sleep mode.

Note

- For [Low Power Timeout] and [Sleep Timeout], you can enter values of up to 60 minutes in total.

■ Low Power Timeout

Specify a time period to enter the Low Power mode after the last operation.

■ Sleep Timeout

Specify a time period to enter the Sleep mode after entering the Low Power mode.

■ Auto Power Off

Select this to automatically turn the printer off after a specified time has elapsed from the Sleep mode. Use the slider bar to specify a value for turning the printer off.

- [Always Allowed]
Turns the printer off when the specified time has elapsed.
- [Allowed ONLY When Conditions are Met]
Turns the printer off only when the following conditions are all met during the time you specified.
 - The USB device port is not used.
 - The wired network port is not used.

Feature Installation

Allows you to activate optional features.

Connectivity

Note

- The displayed features may vary depending on your settings.
- You can scroll the feature list up and down.

Primary Network

Displays [Ethernet].

Ethernet

■ IPv4

◆ Enable IPv4

Select this to enable the IPv4 mode.

◆ Mode

Select a mode.

- [DHCP with Auto IP]
The address, subnet mask, and gateway address will automatically be set via DHCP/AutoIP. If the printer fails to communicate with the DHCP server, the AutoIP function is automatically enabled and an IP address (169.254.xxx.xxx) is assigned to the printer. When communication between the printer and the DHCP server recovers, the printer obtains an IP address, a subnet mask, and a gateway address by the DHCP server.
- [Static]
The address, subnet mask, and gateway address will manually be set.
- [BOOTP]
The address, subnet mask, and gateway address will automatically be set via BOOTP.

Note

- This is displayed only when this option is configured on Printer Configuration Web Tool.

- [DHCP]
The address, subnet mask, and gateway address will automatically be set via DHCP.

◆ **Host Name**

Enter a host name.

◆ **IPv4 Address**

Displays the IP address.

◆ **Gateway Address**

Displays the gateway address.

◆ **Subnet Mask**

Displays the subnet mask.

■ **IPv6**

◆ **Enable IPv6**

Select this to enable the IPv6 mode.

◆ **Host Name**

Enter a host name.

◆ **Link-Local Address**

Displays the Link-Local address.

◆ **Self-Assigned Address**

Displays the self-assigned address.

◆ **Manual Address**

Allows you to enter an address.

◆ **DHCPv6 Configuration**

Select a purpose of using DHCPv6.

- [Direct by Router]
- [Address Assignment and Configuration]
- [Configuration Data]

■ **DNS Server**

◆ **Host Name**

Displays the host name.

◆ **Domain Name**

Enter a domain name.

◆ **IPv4 Servers**

Touch this to set addresses.

• **Mode**

Select a mode from [DHCP] and [STATIC].

- **Primary Server, Alternate Server 1, Alternate Server 2**

Set DNS server addresses.

◆ IPv6 Servers

Touch this to set addresses.

- **Mode**

Select a mode from [DHCP] and [STATIC].

- **Primary Server, Alternate Server 1, Alternate Server 2**

Set DNS server addresses.

■ Rated Speed

Select a communication speed for the Ethernet interface.

- [Auto]
- [10Mbps Half Duplex]
- [10Mbps Full Duplex]
- [100Mbps Half Duplex]
- [100Mbps Full Duplex]
- [1Gbps Full Duplex]

HTTPS

Select this to enable HTTPS.

Proxy Server

■ Proxy Server

Select this to enable proxy server settings.

- **Automatic**

Select this to automatically set up the proxy.

- **Configuration Script**

Select this to allow you to enter the URL of a configurations script.

- **Manual**

Select this to enter a server address in [Server Address]. When enabling [Password Required], enter the login name and password.

For [Add Exceptions], enter an address that is not to use the proxy.

To remove an address, touch the trash box icon and select [Remove Exception].

To edit an address, touch the trash box icon and select [Edit Exception].

LDAP

- When LDAP is turned on

You can set the LDAP server settings in the [LDAP Server] screen.

Item	Description
Test Connection	To test the connection to the server, select [Test Connection]. Initially [Not Tested] is displayed. [Success] or [Failed] is displayed as a result of the test.
Server Address	Sets the server address.
SSL/TLS	To encrypt the communication between the server and the printer, enable [SSL/TLS].
Directory Root	Sets the directory root.
User Name	Enter the login name for searching in LDAP server.
Password	Enter a password for the user specified in [User Name].
Find Other LDAP Servers	Opens the LDAP server list.
LDAP Communication Report	Outputs the report that shows the contents of the LDAP communication transmitted and received by the printer.

- When LDAP is turned off

Wait until the desired server is found, and select the server.

To specify the server by manually entering the server information, select [Manual Setup].

SMTP

Setup the SMTP server.

Once this screen is opened, searching SMTP server starts automatically. Select a server from the search result.

Also you can specify the SMTP server by entering the server address manually.

Note

- If SMTP is already enabled, the search is not performed automatically and the SMTP Server screen is displayed.

Support

Displays the menu for maintenance of the printer.

Support Pages

Allows you to print reports.

- [Ghosting Print]
- [Repeating Defects]
- [System Status]
- [Error History Report]
- [LDAP Communication Report]
- [SMB Communication Report]
- [SMTP Communication Report]

Altitude Adjustment

Specify the altitude of the location where the printer is installed.

Color Calibration - Automatic

Corrects the consistency of printing colors over time, environment, and print media.

Density Calibration- Automatic

See "Advanced Color Calibration - Automatic" (P.145).

Color Registration

Adjusts the color registration.

Image Position

Adjust the image position.

Paper Blocking Prevention

See "Paper Blocking Prevention" (P.152).

Non-Fujifilm Toner Cartridge

Enable or disable the non-genuine toner mode.

Developer & Transfer Roller Cleaning

See "Performing a Developer and Transfer Roller Cleaning Procedure" (P.149).

Fusing Unit Temperature Adjustment

Adjust the temperature of the fusing unit.

To lower the temperature, set negative values. To increase, set positive values.

The default settings may not give the best output on all paper types. When the printed paper has curled, try to lower the temperature. When the toner does not fuse on the paper properly, try to increase the temperature.

Note

- The print quality changes depending on the setting values you select for this item.

Fusing Unit Speed Adjustment

See "Fusing Unit Speed Adjustment" (P.150).

Transfer Voltage Adjustment

Adjust the transfer voltage.

To lower the voltage, set negative values. To increase, set positive values.

The default settings may not give the best output on all paper types. If you see mottles on the print output, try to increase the voltage. If you see white spots on the print output, try to decrease the voltage.

Note

- The print quality changes depending on the setting values you select for this item.

Adjust Density

See "Adjusting the Density" (P.151).

Glossy Cardstock Printing

See "Glossy Cardstock Printing" (P.152).

Toner Refresh

See "Refreshing the Toner" (P.151).

Belt Cleaning Mode

See "Performing a Transfer Belt Cleaning Mode Procedure" (P.150).

Fusing Unit Cleaning

See "Fusing Unit Cleaning" (P.151).

Fusing Unit Replacement

See "Fusing Unit Replacement" (P.152).

Resets

Allows you to set the printer settings to original factory state.

Note

- Settings cannot be recovered after a reset.

Reset 802.1X and IPsec

Sets the 802.1X and IPsec settings to original factory state.

Reset Fonts, Forms, and Macros

Deletes all the fonts, forms and macros installed to the printer by users.

Reset to Factory Defaults

Erases all settings and returns the printer to original factory state.

7

Printer Configuration Web Tool

Overview

Use Printer Configuration Web Tool to monitor the status of your network printer without leaving your desk. You can view and/or change the printer settings, monitor toner level, and acknowledge the timing of ordering replacement consumables.

If you are a network administrator, you can copy the printer settings to one or all printers on the network using your web browser.

Note

- Printer Configuration Web Tool is available only when the printer is connected to a network using an Ethernet cable.

Setting Up the Printer Configuration Web Tool

Ensure that you activate JavaScript in your browser before using the Printer Configuration Web Tool.

Follow the procedures below to configure the environment settings of your web browser before using the Printer Configuration Web Tool.

Note

- The Printer Configuration Web Tool pages may be displayed unreadable if the pages were configured by the language different from the language of your web browser.

Supported Web Browser

Printer Configuration Web Tool supports the following web browsers.

For Windows	Microsoft Internet Explorer 10, 11 and later Microsoft Edge Mozilla Firefox, the most recent stable version Google Chrome, the most recent stable version
For macOS	Safari 8, 9, 10, 11, 12 and later

Setting Up From Web Browser

The following procedure is described using Internet Explorer 11. The item names may differ depending on the version and type of your browser.

■ Setting Up the Display Language

- 1 Select [Internet Options] from [Tools] on the menu bar.
- 2 Select [Languages] in the [General] tab.
- 3 Specify the display language in order of preference in the [Language] list.

■ Setting the IP Address of the Printer to Non-Proxy (Optional)

- 1 Select [Internet Options] from the [Tools] menu.
- 2 Click [LAN settings] under [Local Area Network (LAN) settings] in the [Connections] tab.
- 3 Do either of the following:
 - Clear the [Use a proxy server for your LAN] check box under [Proxy server].
 - Click [Advanced], and then specify the IP address of the printer in the [Do not use proxy server for addresses beginning with] field under [Exceptions].

Starting the Printer Configuration Web Tool

To launch the Printer Configuration Web Tool, enter the IP address of your printer in your web browser.

Note

- See "Verifying the IP Settings" (P.27).

Overview of the Menu Items

The Printer Configuration Web Tool consists of the following menus:

Note

- The displayed features may vary depending on your settings.
- Some setting menus are available only when logging in as the system administrator. For information on the user types and how to log in to the printer, see "Authentication Features" (P.119).

Home

The Home screen consists of the following menus: [Notifications], [Trays], [Supplies], [Billing/Usage], and [Quick Links]. Use those menus to get immediate feedback on the printer status or to jump to useful services.

Apps

Use the [Apps] menu to change the apps settings of the printer.

Jobs

Use the [Jobs] menu to see the job history of the printer and to configure the job control.

Connectivity

Use the [Connectivity] menu to change the printer interface and necessary conditions for communications.

Permissions

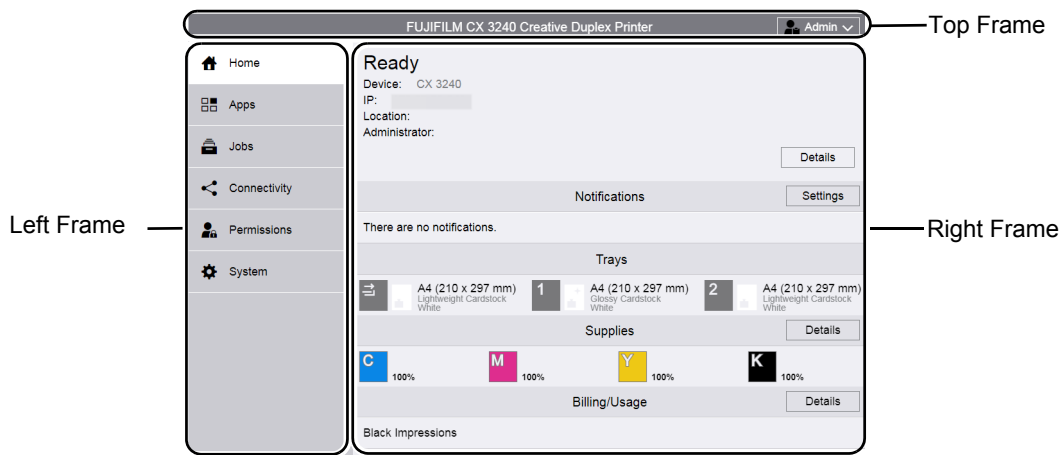
Use the [Permissions] menu to view and set the user account settings and to set the authentication methods.

System

Use the [System] menu to configure the printer environment settings such as Power Saver settings, Security settings, or PDL settings.

Page Display Format

The layout of the page is divided into three sections:



Top Frame

The top frame is located at the top of all pages. The printer name and the [Log In] button are displayed in the top frame on every page.

Note

- See "Log In/Log Out from the Printer Configuration Web Tool" (P.121).

Left Frame

The left frame is located on the left side of all the pages. The menu titles displayed in the left frame are linked to corresponding menus and pages. You can go to the corresponding page by selecting their characters.

Right Frame

The right frame is located on the right side of all the pages. The contents of the right frame correspond to the menu that you select in the left frame.

Home

The header part of the Home screen shows the status and basic information of the printer.

Select [Details] to open [Device Details].

Device Details

Allows you to view and edit the following items.

Item	Description
Device Name	Set the name of the printer.
Asset Tag	Used to identify the printer.
Customer Asset Tag	Set the asset tag for the printer.
Software Version:	Displays the current software version of the printer.
Serial Number:	Displays the serial number of the printer.
Device Location	Set the location of the printer.
Network	Displays the basic network information. You can edit the values at "Connectivity" (P.81).
System Administrator	Set the information of the system administrator.

Notifications

Displays the notifications from the printer such as the fault status, replacement period, and other important messages in the order of severity.

You can check the details or associated pages by selecting each notification.

Select [Settings] to open [Notification Settings].

Notification Settings

■ Email Notifications

Set the Email Notifications settings. The printer sends the printer's trouble information to the Email address specified here.

Fault History

Select [Fault History] at the lower left of [Notification Settings] to view the fault history.

The faults are displayed from newest to oldest in descending order.

Trays

Displays the tray status and the current tray settings. Select the icon of each tray to see the size, type, color, and remaining amount of paper loaded on the tray, and to change the settings.

Tray Mode

Select the tray mode.

Size, Type, Color

Specify the size, type, and color of paper that can be loaded on the tray as necessary.

Auto Select

Specify whether to set the tray as a target of automatic tray selection.

Priority

Specify the priority order of the tray for automatic tray selection.

Supplies

Displays the status of supplies. Select [Details] to display more information and configure the settings related to supplies.

Reorder Information

Displays the link for ordering supplies.

List of Supplies

Select an item to see more details.

Options

Configure optional settings as necessary.

■ Alerts Setup

Enable or disable the alerts related to supplies. When enabled, select each item to change the timing of the alert.

Note

- This feature may not be available depending on the model or your printer configuration. For information, contact your local dealer.

■ Email Alerts

To receive alerts by e-mail, enter e-mail addresses and select the types of alerts you need.

Note

- This feature may not be available depending on the model or your printer configuration. For information, contact your local dealer.

Billing/Usage

You can check the number of pages printed per meter. To check the detailed information, click [Details].

Billing Details & Usage Counters

You can check [Device Serial Number:], [Billing Meters], and [Usage Counters].

■ Billing Meters

You can check the total number of pages printed by individual meters.

■ Usage Counters

You can check the detailed usage counters.

Note

- “Impressions” in Usage Counters means the counts of images. For example, 2-sided printing increases the impressions by two.

Item	Description
Total Impressions	Displays the total number of [Color Impressions] and [Black Impressions].
Black Impressions	Displays the total number of pages printed in black and white.
	[Black Printed Impressions]
Color Impressions	Displays the total number of pages printed in full color.
	[Color Printed Impressions]
Single Impressions	Displays the total number of impressions counted for maintenance services.
	[Black Single Impressions]
	[Color Single Impressions]
Stored Image Printed Impressions	Displays the total number of stored images printed.
	[Black Stored Image Printed Impressions]
	[Color Stored Image Printed Impressions]
Black Sheets	Displays the total number of sheets of paper printed in black and white.
	[Black Printed Sheets]
	[Black Printed 2-Sided Sheets]
Color Sheets	Displays the total number of sheets of paper printed in full color.
	[Color Printed Sheets]
	[Color Printed 2-Sided Sheets]
Sheets (1 Sided and 2 Sided)	Displays the total number of sheets of paper printed.
	[Printed Sheets]
2-Sided Sheets	Displays the total number of sheets of paper printed in 2-sided format.
	[Printed 2-Sided Sheets]

Quick Links

[Quick Links] provides some convenient functions.

Cloning

This page allows you to copy and download the setting information file of the printer and to install the setting information file of another printer.

■ Install Clone File

Locate a setting information file to be installed and then select [Install] to start the installation.

■ Create Clone File

To download a setting information file, select the items to copy and then select [Create].

Note

- The clone file is downloaded in a format which cannot be edited by users.

Support

Displays the support information.

■ Support Information

You can change the information by selecting [Edit].

■ Restart Device

Allows you to restart the printer. Select [Restart] after the confirmation screen is displayed.

Submit File

Allows you to print a file from the local client device by uploading the file through Printer Configuration Web Tool.

No driver installation is required.

- 1** Select a file to upload.
- 2** Set [Print Quantity] and [Output] as necessary.
- 3** Select [Submit].
The printer starts printing.

Note

- Available file formats are PDF, PCL, PRN, XPS, JPEG, TIFF, and TXT.
- XPS stands for XML Paper Specification.

Apps

Allows you to configure the settings related to the apps used on the touch screen.

Preferences

Walkup Screen

Set the screen displayed after powering on the printer or canceling the Power Saver mode.

Installed Apps

The list of installed apps is displayed.

Select each app to confirm or change the app information and settings.

Basic Information and Control of Apps

On the left column of each app's setting pages, the basic information of the app is displayed.

Note

- The items are displayed on the top of the pages when the browser size is small.

■ Type:

Displays the type of the app.

■ Display on Device

Set whether or not to display the app on the Home screen of the touch screen.

Jobs

The [Jobs] page displays the list of active jobs and completed jobs. Select each job to see its detailed status.

Note

- The jobs stored as Secure Print jobs are not listed here. Find them at the [Jobs] app on the touch screen.

Deleting a Job

You can cancel and delete the active jobs.

- 1 Select the trash-box icon displayed on the light part of a job you want to delete.
- 2 Select [Delete] on the confirmation screen.

Note

- You can select [Delete] also on the jobs details screen.

Jobs Policies

Selecting [Policies] displays [Jobs Policies]. You can configure settings related to the jobs processing.

Print Around

Configure the deletion setting of the skipped and held print jobs.

■ Enable

Select this to delete held jobs automatically.

■ Delete Held Jobs After

Specify the time period before deleting held jobs automatically.

Conceal Job Names

Select whether or not to conceal job names displayed on the jobs list.

Stored Print Job Settings

Configure the settings related to stored print jobs.

■ Minimum Number of Passcode Digits

Enter the minimum number of digits that must be entered to set a passcode required for storing or printing Secure Print jobs. The passcode must be set with more digits than the number of digits specified here.

■ Delete Stored Jobs After

Set whether to delete stored jobs after a certain period of time has elapsed.

Connectivity

The [Connectivity] page allows you to set the network connection and data transmission protocols.

Note

- The displayed features may vary depending on your settings.

Connections

Ethernet

■ MAC Address:

Displays the MAC address.

■ Rated Speed

Select a communication speed for the Ethernet interface.

- [Auto (Default)]
- [10 Mbps Full-Duplex]
- [10 Mbps Half-Duplex]
- [100 Mbps Full-Duplex]
- [100 Mbps Half-Duplex]
- [1 Gbps Full-Duplex]

■ Common

Click [Edit] for the settings.

◆ Host Name:

Enter the host name with up to 32 ASCII characters.

◆ IP Mode:

Allows you to select the TCP/IP operation mode.

• IPv4

Select this option for IPv4.

• IPv6

Select this option for IPv6.

• Dual Stack

Select this option for an environment using both IPv4 and IPv6.

◆ IPv6 Priority over IPv4 at Domain Name Resolution:

Select this to prioritize IPv6 for the domain name resolution feature.

■ IPv4

Click [Edit] for the settings.

◆ Mode:

Allows you to select a method for obtaining the IP address, subnet mask, and gateway address.

- **DHCP with Auto IP**

The address, subnet mask, and gateway address will automatically be set via DHCP/AutoIP.

If the printer fails to communicate with the DHCP server, the AutoIP function is automatically enabled and an IP address (169.254.xxx.xxx) is assigned to the printer. When communication between the printer and the DHCP server recovers, the printer obtains an IP address, a subnet mask, and a gateway address by the DHCP server.

- **DHCP**

The address, subnet mask, and gateway address will automatically be set via DHCP.

- **Static**

Allows you to manually specify an IP address, a subnet mask, and a gateway address.

- **BOOTP**

The address, subnet mask, and gateway address will automatically be set via BOOTP.

- ◆ **IP Address**

Enter the IP address when selecting [Static] at [Mode].

- Note**

- Enter the address in the format "xxx.xxx.xxx.xxx", where "xxx" is a numeric value from 0 to 255.
 - Specify an IP address using numbers (0 to 9) and periods (.).

- ◆ **Subnet Mask**

Enter the subnet mask when selecting [Static] at [Mode].

- Note**

- Enter the address in the format "xxx.xxx.xxx.xxx", where "xxx" is a numeric value from 0 to 255.
 - Specify a subnet mask using numbers (0 to 9) and periods (.).

- ◆ **Gateway Address**

Enter the gateway address when selecting [Static] at [Mode].

- Note**

- Enter the address in the format "xxx.xxx.xxx.xxx", where "xxx" is a numeric value from 0 to 255.
 - Specify a gateway address using numbers (0 to 9) and periods (.).

- ◆ **Release current IP when the Device is powered off.**

For [DHCP with Auto IP] and [DHCP], select this to release the IP address to the DHCP server when the printer is powered off.

- **IPv6**

Click [Edit] for the settings.

- **Link-Local Address**

Displays the Link-Local address.

- **Self-Assigned Address 1:, Self-Assigned Address 2:, Self-Assigned Address 3:**

Displays the self-assigned address.

- ◆ **DHCPv6**

- **Purpose**

Select a purpose of using DHCPv6.

- [Directed by Router]

- [Address Assignment and Configuration Data]
- [Configuration Data]
- **DHCPv6 Address:**
Displays the DHCPv6 address.

◆ **Manual Address:**

Allows you to select whether or not to configure the IPv6-address settings manually.

- **Manual Address**

Enter an address.

Note

- Enter the address in the format "xxxx:xxxx:xxxx:xxxx:xxxx:xxxx:xxxx:xxxx", where "xxxx" is a hexadecimal value.
- Specify an address using alphanumeric characters (0 to 9 and A to F) and colons (:).

- **Gateway Address:**

Specify a gateway address.

Note

- Enter the address in the format "xxxx:xxxx:xxxx:xxxx:xxxx:xxxx:xxxx:xxxx", where "xxxx" is a hexadecimal value.

- **Automatically Configured Gateway Address:**

Displays the gateway address automatically configured.

■ **DNS**

Click [Edit] for the settings.

- **Domain Name**

Enter a domain name.

- **Connection Timeout**

Sets the time-out period between 1 and 60 seconds.

◆ **IPv4 DNS Servers**

- **Use DHCP to Assign Address**

Set whether or not to automatically obtain the address of the DNS server from the DHCP server.

- **Primary Server, Alternate Server 1, Alternate Server 2**

Set DNS server addresses.

◆ **IPv6 DNS Servers**

- **Use DHCPv6-lite to Assign Address**

Set whether or not to automatically obtain the address of the DNS server from the DHCPv6 server.

- **Primary Server, Alternate Server 1, Alternate Server 2**

Set DNS server addresses.

◆ **DNS Search Domains**

- **Generate Domain Search List Automatically**

Select this to automatically generate a search list.

- **Primary Domain, Alternate Domain 1, Alternate Domain 2**

Enter domains when you disable [Generate Domain Search List Automatically].

- **802.1X**

Configure the IEEE 802.1x settings.

- **Enable 802.1X**

Set whether or not to use IEEE 802.1X authentication.

- **Authentication Method**

Select from [EAP-MD5], [PEAPv0/EAP-MS-CHAPv2], [EAP-MS-CHAPv2], or [EAP-TLS].

- **Certificate Verification**

Select whether or not to verify a server certificate when [PEAPv0/EAP-MS-CHAPv2] or [EAP-TLS] is selected in [Authentication Method].

- **User Name (Device Name)**

Enter the login user name with up to 128 characters.

- **Password**

Enter the login password with up to 128 characters.

- **Retype Password**

Re-enter the login password for confirmation.

USB

- **Enable**

Select this to use the USB interface.

- **USB Port**

Select this to enable the USB port. This item is deselected by the factory default. To select this item, [Enable] must be selected.

- **PJL**

PJL (Printer Job Language) is a job control language and a PJL command is data added to the top of the print jobs. Usually select this.

- **Print Mode**

Select the printer language to use on the printer. Selecting [Auto] enables the printer to automatically determine and use the most suitable language to print data received from the host device.

- **Auto Job Timeout**

Configure the time that the data so far received by the printer will automatically be printed since data is no longer sent to the printer.

Protocols

Bonjour

- **Port**

Select this to use Bonjour.

■ Wide-Area Bonjour

Select this to enable the Wide-Area Bonjour protocol.

Note

- In multi-interface environment, this setting is for primary interface only.

◆ Host Name

Enter the host name.

◆ Printer Name

Enter the printer name.

HTTP

■ Enable HTTP

Select this to enable HTTP.

◆ Port Number

Enter a port number.

Note

- Do not use a number that is the same as a port number of another port. However, you can use the same port number for a protocol that uses HTTP (IPP, Internet Services (HTTP), SOAP, WebDAV, and Web Services on Devices (WSD)).

■ Enable HTTPS

Select this to enable HTTPS.

◆ HTTPS Port Number

Enter a port number from 1 to 65535.

◆ Maximum Connections

Enter the maximum number of simultaneous connections.

◆ Connection Timeout

Sets the connection time-out period.

◆ Device Certificate

Select a device certificate.

◆ CSRF Protection

Select this to enable Cross-Site Request Forgery (CSRF) protection for security. This feature protects the settings on Printer Configuration Web Tool from being altered if a user unknowingly accesses a malicious website.

■ Proxy Server

Select this to configure the settings for using inbound/outbound access.

Important

- Do not set this item unless you use services requiring proxy server settings.

◆ Setup

Select a type of proxy server settings.

To set up automatically, select [Automatic].

To enter the URL of a configurations script, select [Configuration Script].

To enter the proxy server information, select [Manual].

◆Type

For [Manual], select a type to specify the proxy server.

According to the type you selected, enter an address or a host name with up to 255 alphanumeric characters, underscore, period, or colon, and enter the port number between 1 and 65535.

◆Password Required

Select this when authenticating with a password to connect to the proxy server.

◆Login Name

Enter a login name.

◆Password, Retype Password

Enter a password.

◆Exception List

Enter addresses not using the proxy server. You can use the IPv4, IPv6, or FQDN format. You can use wild cards "*" and delimiters ",".

IPP**■ Port**

Select this when you want to use IPP (Internet Printing Protocol) to print via the Internet.

■ Port Number

Displays the port number.

■ PjL

Select this to enable PjL. PjL allows you to specify the printer language to use for your next job regardless of the printer language currently being used.

■ Print Mode

Select a print mode. Selecting [Auto] enables the printer to automatically determine and use the most suitable language to print data received from the host device.

■ Alternate Port (IPP), Alternate Port (IPPS)

Select this to accept a port number other than the standard port number. Enter a port number in [Alternate Port Number (IPP)] or [Alternate Port Number (IPPS)].

Note

- Do not use a number that is the same as a port number of another port. However, for IPP, you can use the same port number for a port that uses HTTP (IPP, Internet Services (HTTP), SOAP, WebDAV, and Web Services on Devices (WSD)). For IPPS, you can use 443 (HTTPS), and cannot use 80 (HTTPS) or a well-known port (HTTPS).

■ Password Required

Select this to authenticate with a password.

■ Connection Timeout

Select this to set the timeout.

■ Timeout

Sets the connection time-out period.

■ Spool

Select [On] to enable spooling.

IPsec

Configure the IPsec settings.

Note

- For [IKE Authentication Method], [Preshared Key], [DH Group], and [PFS], consult your network administrator.

Item	Description
Enable	Select whether or not to enable IPsec communications.
IKE Authentication Method	Set the IKE authentication method. Select from [Digital Signature] or [Preshared Key].
Preshared Key	Enter a preshared key. This setting is valid when [IKE Authentication Method] is set to [Preshared Key].
Retype Preshared Key	Re-enter the preshared key for confirmation.
Device Certificate	Select a certificate for IPsec communications. Select a certificate when [IKE Authentication Method] is set to [Digital Signature]. A self-signed certificate created by Printer Configuration Web Tool cannot be used.
IKE SA Lifetime	Specify IKE SA lifetime from 5 to 28800 minutes in 1 minute increments. Note <ul style="list-style-type: none"> • The value must be equal to or greater than the value set in [IPsec SA Lifetime].
IPsec SA Lifetime	Specify IPsec SA lifetime from 300 to 172800 seconds in 1 second increments. Note <ul style="list-style-type: none"> • The value must be equal to or smaller than the value set in [IKE SA Lifetime].
DH Group	Set DH group. Select from [G1], [G2], and [G14].
PFS	Select whether or not to enable PFS.
Specify Destination IPv4 Address	Set the IPv4 address of the destination. When entering an IP address, enter the address in the format "xxx.xxx.xxx.xxx", where "xxx" is a numeric value from 0 to 255.
Specify Destination IPv6 Address	Set the IPv6 address of the destination. When entering an IP address, enter the address in the format "xxxx:xxxx:xxxx:xxxx:xxxx:xxxx:xxxx:xxxx", where "xxxx" is a hexadecimal value. You can use a compressed form of the IPv6 address.
Communicate with Non-IPsec Devices	Select whether or not to communicate with non-IPsec devices with an address other than the ones set in the destination address.

LDAP

Configure the LDAP servers, LDAP Authentication, and custom filters settings.

■ LDAP Servers

Item		Description
Server Information	IP Address/Host Name: Port	<p>Enter the server IP address and the port number.</p> <p>Note</p> <ul style="list-style-type: none"> • For IPv4, enter the address in the format "xxx.xxx.xxx.xxx", where "xxx" is a numeric value from 0 to 255. • For IPv6, enter the address in the format "xxxx:xxxx:xxxx:xxxx:xxxx:xxxx:xxxx:xxxx", where "xxxx" is a hexadecimal value. You can use a compressed form of the IPv6 address. • You can use a fully qualified domain name (FQDN) instead of the IP address.
	Backup IP Address/Host Name : Port	<p>Enter the backup server IP address and the port number.</p> <p>Note</p> <ul style="list-style-type: none"> • For IPv4, enter the address in the format "xxx.xxx.xxx.xxx", where "xxx" is a numeric value from 0 to 255. • For IPv6, enter the address in the format "xxxx:xxxx:xxxx:xxxx:xxxx:xxxx:xxxx:xxxx", where "xxxx" is a hexadecimal value. You can use a compressed form of the IPv6 address. • You can use a fully qualified domain name (FQDN) instead of the IP address.
Advanced Settings	Search Directory Root	<p>Enter a search root character string with up to 255 characters.</p> <p>Note</p> <ul style="list-style-type: none"> • Enter the distinguished name of the root node. (Example: CN=users, DC=mydomain, DC=mycorp, DC=com)
	Login Name	Enter the login name for searching in LDAP server up to 255 characters.
	Password	Set a login password for the user specified in [Login Name]. Up to 32 characters are allowed.
	LDAP Referrals	Specify whether or not to re-establish connection to another LDAP server if a currently connected LDAP server requests to do so.
	Maximum Number of LDAP Referral Hops	When using the Referral feature, specify how many times that a user is allowed to hop servers within 1 to 5 times.

■ LDAP Authentication

Item	Description
Authentication Method	Select the method for authentication from [Direct Authentication] and [Authentication of User Attributes].
Common Name	Enter the attribute of user name. Up to 32 ASCII characters can be entered. This attribute is used to search user name in the LDAP Server. Enter the LDAP attribute for user name typed on the touch screen. When users enter the e-mail address, specify "Mail".
Login User Name	Enter the attribute of login user name. Up to 32 ASCII characters can be entered. As the attribute for authentication, enter one of the login user names registered in the LDAP server.
Use Added Text String	Select whether or not to automatically add text strings in [Added Text String] when you enter the authentication information from the touch screen.
Added Text String	Enter the fixed string when [Use Added Text String] is enabled. Up to 64 ASCII characters can be entered. For example, when "host" is set in [Common Name] and the user's mail address is "host@mail.com", this user needs to enter "host@mail.com". However, when [Use Added Text String] is enabled and "@mail.com" is set in [Added Text String], this user needs to enter only "host" on the touch screen. The printer appends "@mail.com".

■ Custom Filters

Item	Description
User ID Query Filter	Specify the text string to be used when searching a user ID upon network authentication. Up to 512 ASCII characters can be entered.

LPD

■ Port

Select this to use LPD.

■ Port Number

Allows you to verify or enter the port number.

■ PJP

Select this to enable PJP. PJP allows you to specify the printer language to use for your next job regardless of the printer language currently being used.

■ Print Mode

Select a print mode. Selecting [Auto] enables the printer to automatically determine and use the most suitable language to print data received from the host device.

■ Timeout

Sets the connection time-out period.

■ Maximum Number of Sessions

Enter the maximum number of client sessions using LPD. You can enter a number from 1 to 10 in 1 session increments.

■ Parameter Text String Encoding

Select an encoding format for parameter text strings.

- [Follow Device Settings]
- [UTF-8]

■ Spool

Select [On] to enable spooling.

■ TCP-MSS

Select this to enable the TCP-MSS mode.

◆ IPv4 Subnet 1 to 3

Enter a subnet address.

Port 9100**■ Port**

Select this to use Port 9100.

Select this option when the communication protocol is in RAW format for Windows® Standard TCP/IP port monitor.

■ Port Number

Enter a port number for Port 9100 from 1 to 65535.

The default value is 9100.

Important

- Do not use the numbers assigned to the other ports.

■ PjL

Select this to enable PjL. PjL allows you to specify the printer language to use for your next job regardless of the printer language currently being used.

■ Print Mode

Select a print mode. Selecting [Auto] enables the printer to automatically determine and use the most suitable language to print data received from the host device.

■ Timeout

Sets the connection time-out period.

■ TCP-MSS

Select this to enable the TCP-MSS mode.

◆ IPv4 Subnet 1 to 3

Enter a subnet address.

SMB

■ Port

Select this to enable the port.

■ WINS Server Address Acquisition by DHCP

Select this to get a WINS server address through DHCP. This is effective when the [Mode] setting for [IPv4] is set to [DHCP].

■ Primary WINS Server Address, Secondary WINS Server Address

When disabling [WINS Server Address Acquisition by DHCP], enter a server address.

SMTP

Configure the SMTP server settings.

■ Email Notification

Set whether or not to enable the e-mail notification port.

■ Device Email

Enter the E-mail address of the printer with up to 128 ASCII characters.

■ SMTP Server

- [Server Address]

Opens the screen to set the SMTP server address.

Enter the address manually or click [Select Server from List] to search the SMTP server to set the server address.

- [Outgoing SMTP Port Number]

Enter a port number in the range from 1 to 65535.

The default value is 25.

Note

- Do not use the numbers assigned to the other ports.

■ Connection Security

Set the SSL / TLS communication for SMTP.

■ Outgoing SMTP Authentication

- [SMTP Authentication]

Select the authentication method for sending e-mails.

Note

- AUTH GSSAPI (only for Kerberos), AUTH NTLMv2, AUTH NTLMv1, AUTH PLAIN, AUTH-LOGIN, or AUTH CRAM-MD5 can be used as an authentication method.

- [SMTP AUTH User Name]

Enter the user name for verification purposes at the SMTP server with up to 64 characters.

- [SMTP AUTH Password], [Retype Password]

Enter the password for verification purposes at the SMTP server. Up to 64 single-byte characters are allowed.

SNMP

■ Port

Select this to use SNMP, when you use any web applications to control the printer on the network.

■ Send Authentication Error Traps

Select this to notify authenticate error traps.

■ SNMPv1/v2

Select this to change the settings for [SNMPv1/v2].

◆ Enable (Read)

Select this to enable SNMPv1/v2 read access.

◆ Write

Select this to enable SNMPv1/v2 write access.

◆ Community Names

- **Community Name Read Only**

Specify the community name to use for Read Only.

- **Community Name Read/Write**

Specify the community name to use for Read/Write.

- **Default Trap Community Name**

Specify the community name to use for trap notification.

◆ System Administrator Login ID

Specify the login ID of the system administrator.

■ SNMPv3

Select this to change the settings for [SNMPv3]. This is available when HTTPS is enabled.

◆ Enable (Read)

Select this to enable SNMPv3 read access.

◆ Write

Select this to enable SNMPv3 write access.

◆ System Administrator Account

- **User Name**

Displays the user name of the System Administrator.

- **Message Digest Algorithm**

Select a type of algorithm.

- **Authentication Password, Retype Password**

Enter a password with 8 to 32 ASCII characters.

- **Message Encryption Algorithm**

Select a message encryption algorithm from [DES] and [AES-128].

- **Encryption Password, Retype Password**

Enter a password with 8 to 32 ASCII characters.

- ◆ **Print Drivers Account**

- **Message Digest Algorithm**

Displays the type of algorithm.

- **Message Encryption Method**

Displays the message encryption algorithm: [DES] or [AES-128].

- **Reset to Default Password**

Resets the password.

- **Trap Destination**

Allows you to register destinations.

- Note**

- In multi-interface environment, set for each interface.

- ◆ **Trap Destination**

Select [(Available)] to register an address.

- **SNMP Version**

For [SNMPv1/v2], specify the SNMP version.

- **Type**

Select an address type.

- **IP Address : Port**

Enter an address and a port number.

- **Trap Community Name**

Enter the trap community name for [SNMPv1/v2].

- **User Name**

Select [Xadmin] or [Xdrivers] for [SNMPv3].

- **Traps to Be Received**

Select types of traps to be received.

- [Printer Traps]
- [Job Monitoring Traps]
- [Cold Start Traps]
- [Warm Start Traps]
- [Authentication Error Traps]

SNTP

- **Time Server Synchronization**

You can synchronize the printer clock with a time server (NTP: Network Time Protocol), receiving time information from the server.

Select this to enable synchronization.

- **Time Server Address**

Set the server name or IP address of the time server.

■ Time Synchronization Interval

Enter a time interval value to connect to the time server.

SOAP**■ Port**

Select this to enable the SOAP port.

Web Services on Devices (WSD)**■ WSD Print**

This feature is for Web Services on Devices (WSD) Print, and is enabled by factory default. It is recommended that you do not disable this feature. You can search your networks for your printer from Windows 7, Windows 8.1, Windows 10, Windows Server 2008 R2, Windows Server 2012 R2, Windows Server 2016, or Windows Server 2019.

■ Port Number

Enter a port number from 1 to 65535.

The default value is 80.

Important

- Do not use a number that is the same as a port number of another port. However, you can use the same port number for a port that uses HTTP (IPP, Internet Services (HTTP), SOAP, WebDAV, and Web Services on Devices (WSD)).

■ PJP

Select this to enable PJP. PJP allows you to specify the printer language to use for your next job regardless of the printer language currently being used.

■ Print Mode

Select a print mode. Selecting [Auto] enables the printer to automatically determine and use the most suitable language to print data received from the host device.

■ Data Reception Timeout

Enter a timeout period for receiving data from Web Services on Devices (WSD) clients.

■ Notification Delivery Timeout

Enter the timeout period for delivering notification to Web Services on Devices (WSD) clients.

■ Maximum IP Packet TTL

Enter a value for the maximum TTL.

■ Maximum Number of Subscribers

Enter the maximum number for reserved notification.

Permissions

The [Permissions] page allows you to set how users access the printer and make an authentication.

Guest Access

A Guest is anyone who is not currently logged in to the printer.

Select [Edit] to change the range of operation you permit for guest users.

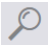
■ Disable Guest Access

If you enable this item, guest users cannot make any operations on the touch screen and Printer Configuration Web Tool. To use the printer, an authentication is required for every user.

User Accounts

In [User Accounts], You can add a new user account and edit the existing user accounts.

To add a new user account, click [Add]. For details, see "Creating New Accounts from the Printer Configuration Web Tool" (P.122).

To edit an existing user account, select the user account. The  button allows you to search a user. For details, see "Editing User Accounts from the Printer Configuration Web Tool" (P.122).

Login/Logout Settings

Login Method

Select the login method and make the settings for the method.

■ Simple

Authenticates users based on the user information registered on the printer.

Passwords are not required to log in to the printer.

Select [Pick their user name from a list.] or [Type in their user name.].

■ Local

Authenticates users based on the user information registered on the printer.

Passwords are required to log in to the printer.

Select [Pick their user name from a list.] or [Type in their user name.].

■ Network

You can set [Kerberos (Windows ADS)], [SMB (Windows ADS)], and [LDAP].

◆Kerberos (Windows ADS)

Item	Description	
Default Server	Realm	Specify the realm.
	Server Address	Specify the server address.
Add Alternate Server	Clicking [Add Alternate Server] adds the [Alternate Server] section to the screen. Set [Realm] and [Server Address] for the alternate server.	

◆SMB (Windows ADS)

Item	Description	
Specify Server By	Select the server specification method from [Domain Name] and [Domain Name and Host Name/IP Address].	
Default Server	Domain	Enter the domain name of the server. Note • Use the NetBIOS or Active Directory domain name for the domain name.
	Server Address	Specify the server address.
Add Alternate Server	Clicking [Add Alternate Server] adds the [Alternate Server] section to the screen. You can set [Domain] and [Server Address] for the alternate server.	

◆LDAP

For details on the LDAP settings, see "LDAP" (P.88).

Logout Confirmation

Select the log-out confirmation method from the following:

- Log out user immediately.
- Ask user for confirmation before logging out.

Advanced Settings

■ Input Settings

Item	Description
Case Sensitive User Name	Select whether or not to ignore the case for log-in user name.

■ Authentication Settings

Item	Description
Log Failed Login Attempts	Set the failure count to detect unauthorized access. An error is logged if authentication fails the number of times specified in [Failed Login Attempt Limit] within a predetermined time (10 minutes).
Limit Login Attempts of System Administrator	<p>This feature protects the settings from being changed by someone impersonating your system administrator. If authentication for a system administrator's ID fails more than specified times continuously, access is denied. You can specify a login attempt count from 1 to 10.</p> <p>Note</p> <ul style="list-style-type: none"> • The failure count is reset when the printer is restarted. • To cancel the access rejection state, restart the printer by switching off and on the power.

Password Rules

Minimum Length

Set this item when you specify the minimum number of digits allowed for registering a passcode.

Set a value from 1 to 63 in 1 digit increments.

Maximum Length

Set this item when you specify the maximum number of digits allowed for registering a passcode.

Set a value from 1 to 63 in 1 digit increments.

Password Contains User Name

Select whether or not to allow a password which contains the user name.

Password Complexity

You can select if passwords must include a number or a non-alphanumeric character.

System

Date & Time

Set the date and time for the system clock of the printer. The date and time set here will be printed on all lists and reports.

Date

■ Date Format

Select a date format.

- [Year/Month/Day]
- [Month/Day/Year]
- [Day/Month/Year]

■ Date

Enter the today's date. You can use the calendar to specify the date.

Time

Select [12-Hour Clock] or [24-Hour Clock] for the time format.

■ AM/PM

When selecting [12-Hour Clock] for [Time], select [AM] or [PM].

■ Time

Enter the current time.

■ Time Zone

Select a time zone.

■ Daylight Savings Time

You can set daylight saving time. During daylight saving time period, the printer moves the clock forward by one hour.

SNTP Settings

Select [Edit] to confirm or change the settings.

See "SNTP" (P.93).

Power Saver

Power Saving

The Power Saver mode has two modes: the Low Power and Sleep modes. When a specified period of time has elapsed, the printer switches to these modes in the following order to reduce power consumption.

Last operation on the printer → Low Power mode → Sleep mode

Note

- For [Low Power Timeout] and [Sleep Timeout], you can enter values of up to 60 minutes in total.

■ Low Power Timeout

Specify a time period to enter the Low Power mode after the last operation.

■ Sleep Timeout

Specify a time period to enter the Sleep mode after entering the Low Power mode.

Auto Power Off

■ Auto Power Off

Automatically turns the printer off after a specified time has elapsed from the Sleep mode. When using this feature, enter a value for turning the printer off in [Auto Power Off Timeout].

- [Off]

Does not use this feature.

- [Always Allowed]

Turns the printer off when the specified time has elapsed.

- [Allowed ONLY When Conditions are Met]

Turns the printer off only when the following conditions are all met for the specified time.

- The USB device port is not used.
- The wired network port is not used.

Timeouts

Reset Device Touch Screen

■ System Timeout

Specify the time lapsed without any operation on the touch screen until the printer resets the settings and logs you out automatically.

Reset Device Website

■ Device Website Timeout

Specify the time lapsed without any operation on Printer Configuration Web Tool until you log out automatically.

Security

■ Firmware Verification

Set whether or not to perform self test when the printer is turned on and started up.

If any abnormal condition such as intentional program modification is found during the program diagnosis, the printer stops starting up and records the information in the audit log.

Note

- The information may not be recorded in the audit log depending on the status of program malfunction.

■ Software Option

This feature is for service representative use. For more information, contact your local dealer.

Note

- This item appears when HTTP communications are encrypted. For details, see "Configuration of HTTP Communications Encryption" (P.116).

■ Customer Service Engineer Access Restriction

Allows you to select whether or not to restrict the operation by our service representative to protect the security settings from being altered by someone impersonating our service representative.

When enabling this setting, you can set a [Maintenance Password] of 4 to 12 digits.

Entering the passcode is required when our service representative performs maintenance.

Note

- This item appears when HTTP communications are encrypted. For details, see "Configuration of HTTP Communications Encryption" (P.116).
- When enabling this setting, note the following:
 - If you lose the System Administrator's passcode, the items restricted to the service representative cannot be changed.
 - If you lose the passcode, our service representative cannot perform maintenance in the case when an error occurs in the printer.
- To change the restricted items or perform maintenance, the electric circuit board of the printer must be replaced.
You will be charged for the electrical circuit board and handling cost.
Be sure not to lose the System Administrator's passcode.

Certificates

■ Security Certificates

Set the certificate settings.

Select the certificate type from [Device Certificates], [Trusted Root CA Certificates], [Intermediate CA Certificates], [Other Certificates], and [CRL].

- Creating a device self-signed certificate

Select [Device Certificates] from the drop down menu, and click [Create]. Then select [Create Self-Signed Certificate]. Set the following for the new device certificate.

Item	Description
Hash Algorithm	Select from [RSA/SHA-256], [RSA/SHA-384], and [RSA/SHA-512].
Public Key Length	Select from [1024 Bits] and [2048 Bits].
Issuer	Enter the name of the certificate issuer.
Validity Period	Select the [Validity Period] from 1 to 9999 days.

- Creating a certificate signing request (CSR)

Select [Device Certificates] from the drop down menu, and click [Create]. Then select [Create Certificate Signing Request (CSR)]. Set the following for the CSR.

Item	Description
Hash Algorithm	Select from [RSA/SHA-1] and [RSA/SHA-256].
Public Key Length	Select from [1024 Bits] and [2048 Bits].
2-Letter Country Code (C)	Enter the Country Code in 2 ASCII characters.
State/Province Name (ST)	Enter the state or province name with up to 128 characters. This item can be omitted.
Locality Name (L)	Enter the city, ward, town, or village name with up to 128 characters. This item can be omitted.
Organization Name (O)	Enter the organization name with up to 64 characters.
Organization Unit (OU)	Enter the department name with up to 32 characters.
Common Name (CN)	Enter the host name and domain name with up to 64 characters.
Email Address	Displays the e-mail address set on the printer.

You can download the CSR after it has been created.

- Importing a certificate

Select a certificate type from the drop down menu, and click [Import]. The [Import Certificate] screen appears.

Select the certificate and enter the password. Then click [Import].

- Deleting a certificate

Check the certificate to delete and click [Delete].

- Checking certificate details

Clicking the certificate displays the [Certificate Details] screen, where you can check the following settings.

Item	Description
Category	Displays the certificate category.
Subject	Displays the subject of the certificate.
Issuer	Displays the issuer of the certificate.
Serial Number	Displays the serial number of the certificate.
Hash Algorithm	Displays the signature algorithm of the certificate.
Public Key Length	Displays the public key bit length of the certificate.
Valid From	Displays the start date and time of the validity period of the certificate.
Valid To	Displays the end date and time of the validity period of the certificate.
Validity	Displays the current validity of the certificate.
Certificate Use	Displays the purpose of the certificate.
Selected Usage	Displays the setting status of the certificate in the printer.
Email Address	Displays the email address of the certificate.

Clicking [Export] exports the certificate to the client computer.

■ Automatic Self-Signed Certificate Creation

This feature automatically creates a self-signed certificate when no device certificate is available, and also automatically updates the certificate before expiration.

Note

- Manually created self-signed certificates are not automatically updated.

■ Certificate Path Validation

Select whether or not to enable the certificate path validation.

■ Certificate Revocation Settings

Configure the settings for certificate revocation retrieval.

Item	Description	
Level of Certificate Verification	Select a level of certificate verification from [Low], [Medium], or [High]. Selecting [Low] does not verify the validity of certificates. Selecting [Medium] verifies the validity of certificates. If a certificate cannot be verified because of a network error or any other problems, the certificate is determined as valid. Selecting [High] verifies the validity of certificates, and determines only certificates that have not been revoked as valid.	
Certificate Revocation Check	Select the method to verify the validity of certificates. Select [Check by CRL] if the printer retrieves a CRL (Certificate Revocation List) from the validation authority to verify the revocation status of the certificate. Select [Check by OCSP] if the printer uses OCSP (Online Certificate Status Protocol), which can verify the validity revocation status of the certificate, to have the certificate authority or validation authority check the revocation status.	
OCSP	Send Query to Responder With	Select how to access an OCSP responder from [URL as Specified in Certificate] or [URL as Specified by Administrator]
	Responder URL	Enter the URL of an OCSP responder when [URL as Specified by Administrator] has been selected for [Send Query to Responder With]. Up to 255 alphanumeric characters including percent (%), at sign (@), period (.), colon (:), slash (/), underscore (_), hyphen (-), tilde (~), question mark (?), ampersand (&), and equal sign (=) can be entered.
	Communication Timeout	Specify a time-out value for OCSP communication from 5 to 60 seconds in 1 second increments.
CRL Retrieval	Auto Retrieval of CRL	Select whether or not to automatically retrieve a CRL.
	Communication Timeout	Specify a time-out value to retrieve a CRL from 5 to 60 seconds in 1 second increments.

Network Security

■ SSL/TLS Settings

Configure the SSL/TLS settings.

Select the protocol from [TLS 1.0], [TLS 1.1], and [TLS 1.2].

◆ Device Certificate - Server

Select a certificate for SSL/TLS communications.

◆ HTTP - SSL/TLS Communication

Select whether or not to enable HTTP SSL/TLS communications.

◆ HTTP - SSL/TLS Port Number

Set the port number used for HTTP SSL/TLS communication from 1 to 65535.

The default value is 443.

Note

- Do not use the numbers assigned to the other ports.

◆ LDAP - SSL/TLS Communication

Set whether or not to enable the SSL/TLS communications for authentication.

If you enable the LDAP SSL/TLS communications, you must set [IP Address/Host Name : Port] and [Backup IP Address/Host Name : Port] under [LDAP Servers].

The port number for SSL/TLS communications of the LDAP directory server is normally set to 636.

◆ SMTP - SSL/TLS Communication

Select the SSL/TLS communication from [Disabled], [STARTTLS (If Available)], [STARTTLS], and [SSL/TLS].

◆ Device Certificate - Client

Select a certificate for HTTP SSL/TLS communications.

◆ Verify Remote Server Certificate

When the printer is operated as an SSL client, select whether or not to verify the certificate of the remote server.

Port Settings

Displays a list of available ports. To register a port, click [Add].

■ Add New Port

◆ Port Number

Enter a port number.

◆ Port Type

Select the type of the port.

- [Source]
- [Destination]

◆ Protocol

Select the type of the protocol.

- [TCP]
- [UDP]

IP Address Filtering

Allows you to register IP addresses that can access the printer.

Note

- Up to 25 IP addresses and IP masks can be added for each interface.

■ IPv4 Address Filtering

Select this to register IPv4 addresses that the printer accepts connection from.

◆ Allowed IP Address/Subnet Mask

Select [Add], and then enter an IP address and an IP mask (Subnet Mask).

To set an IP mask, enter a number from 0 through 32. The number range corresponds to the 32-bit binary number comprising IP addresses.

For example:

- When only one IP address (192.0.2.1) can be used:
 - IP Address: 192.0.2.1
 - IP Mask: 32
- When multiple IP addresses (192.168.10.1 to 192.168.10.255) can be used:
 - IP Address: 192.168.10.1
 - IP Mask: 24

Note

- The setting applies to all features using TCP/IP, such as Print and Printer Configuration Web Tool.

■ IPv6 Address Filtering

Select this to register IPv6 addresses that the printer accepts connection from.

◆ Allowed IP Address/Subnet Mask

Select [Add], and then enter an IP address and an IP mask (Subnet Mask).

To set an IP mask, enter a number from 0 through 128. The number range corresponds to the 128-bit hexadecimal number comprising IP addresses.

For example:

- When only one IP address (2001:D880:ABCD:EF01:0:20:3:4567) can be used:
 - IP Address: 2001:D880:ABCD:EF01:0:20:3:4567
 - IP Mask: 128
- When multiple IP addresses (2001:D880:ABCD:EF01:1:1:1:1 to 2001:D880:ABCD:EF01:FFFF:FFFF:FFFF:FFFF) can be used:
 - IP Address: 2001:D880:ABCD:EF01:0:20:3:4567
 - IP Mask: 64

Note

- The setting applies to all features using TCP/IP, such as Print and Printer Configuration Web Tool.

Domain Filtering

Select an option to filter domains.

When [Allow Specific Domains] is selected, you can specify domains to permit transmissions. When [Block Specific Domains] is selected, you can specify domains to prohibit transmissions.

To disable this feature, select [Off].

■ Allowed Domains, Blocked Domains

When [Domain Filtering] is set to [Allow Specific Domains] or [Block Specific Domains], you can specify up to 50 domains to allow or block transmissions.

Defaults and Policies

Common

■ Startup Page

Select whether to automatically print a startup page every time the printer is powered on.

■ Default Print Paper Size

You can set the most commonly-used paper size, A4 or Letter, as the default paper size.

■ When Specified Paper Is Unavailable

When there is no tray containing the paper size selected by the Auto Paper selection, select whether or not to print with paper loaded in another paper tray. In the event of using a substitute tray, select [Use Larger Size], [Use Closest Size], [Letter/A4 Substitution] or [Use Bypass Tray].

■ First Page Printing Optimization

Select which mode the printer is optimized for as the default: [Color] or [Black & White].

The printer requires extra time to print the first page in the mode that is not the default.

■ Color Printing Optimization

Select which mode color print jobs should run in when the printer automatically detects output color: [Color], [Economy] or [Black & White].

■ Manual Color Adjustment

Allows you to manually make default color adjustments.

Printer Settings

■ Memory Settings

You can change memory settings.

■ Allowed Print Job Types

Select whether or not to allow all print jobs.

■ Resume Print After Error

Set whether or not to automatically cancel a print job when the print job was suspended because of an error.

Note

- The printer will enter the off-line state to restrict subsequent print jobs.

◆ Auto Resume

Automatically cancels the print job to print subsequent jobs.

◆ Manual Resume

Displays a confirmation screen before canceling the print job. After the confirmation, the printer cancels the print job to print the subsequent jobs.

■ When Paper Jam Occurs

Specify how the printer handles print jobs after a paper jam is cleared.

◆ Resume Print After Jam Clearance

When a paper jam is cleared, the printer automatically resumes printing from the next page of the page which was output correctly.

◆ Cancel Print

The printer cancels printing and removes the print job.

Note

- For print files stored in a folder such as [Secure Print] and [Sample Set], the printer resumes printing after the paper jam is cleared.

■ Print Banner Pages

Set whether or not to print banner pages.

You can output a banner sheet to separate different jobs by users not to be mixed the outputs. The printer outputs the banner sheet before or after the job.

A date, time, user name, and file name are printed on the banner sheet.

Note

- When printed, banner sheets are counted by meter.

◆ Paper Tray

Select a paper tray used for banner pages.

◆ Allow Print Driver to Override

Select the check box to print a banner sheet according to the banner sheet print settings of the print driver.

◆ Detect Client Banner Pages

Set whether or not to detect client banner pages.

■ Report Settings

◆ Paper Supply

Specify which tray reports should be printed from.

◆ Job Deletion Report

Select whether or not to print job deletion reports automatically.

PDL Settings

This section describes the features you can select on the [PDL Settings] screen.

PCL 6/5e Settings

Use the [PCL 6/5e] menu to change printer settings that only affect jobs using the Printer Control Language (PCL) emulation printer language.

■ Print Quantity Priority

Set the default print quantity priority.

■ Print Quantity

Set the default print quantity. Set the number of copies required for a specific job from the print driver. Values selected from the print driver always override values selected from the touch screen.

■ Paper Tray

Specify the default paper tray.

■ Paper Size

Specify the default paper size.

■ Paper Size (Bypass Tray)

Specify the default paper size of bypass tray.

■ Custom Paper Size Width

Specify the width of custom size paper.

■ Custom Paper Size Length

Specifies the length of custom size paper.

■ Output Color

Specify whether to print in color or in black and white, or the printer automatically detects the color mode.

■ 2-Sided

Specifies whether to print on one side or both sides of a sheet of print media. For a two-sided printing, you can specify the printout to be bound by the long edge or short edge.

■ Remove Blank Pages

Specify whether or not to remove the blank pages.

■ Original Orientation

Specify how text and graphics are oriented on the page.

■ Wide A4

Specify whether to enable the wide A4.

■ Pitch Size

Specify the font pitch for scalable mono spaced fonts.

■ Point Size

Specify the font size for scalable typographic fonts.

■ Font Name

Specify the default font from the fonts registered in the printer.

■ Symbol Set

Specify a symbol set for a specified font.

■ Lines per Page

Specify the number of lines on page.

■ CR=CR, LF=CR+LF, FF=CR+FF

Set line termination processing.

◆Off

The line termination command is not added.

◆On

The LF/FF command is added.

CR+LF/CR+FF

■ CR=CR+LF, LF=LF, FF=FF

Set line termination processing.

◆Off

The line termination command is not added.

◆On

The CR command is added.

CR+LF

■ Hex Dump

Specify whether to enable the Hex Dump feature, which helps to isolate the source of a print job problem. With [Hex Dump] selected, all data sent to the printer is printed in hexadecimal and character representation. Control codes are not executed.

■ Image Enhancement

Specify whether to enable the Image Enhancement feature, which makes the boundary line between black and white smoother to decrease jagged edges and enhance the visual appearance.

■ Macro & Font Settings

◆Macros

Specifies the settings for forms.

For detailed settings, click the [Edit] button.

◆Fonts

Specifies the font settings for the PDL you are using.

For detailed settings, click the [Edit] button.

◆Paper Supply Commands

Clicking the [View] button displays the [PCL Paper Supply Commands] screen. The logical feed tray number and the physical tray name are displayed.

PDF Settings

Use the [PDF] menu to change printer settings that only affect the PDF Jobs.

■ Decomposer

Select the print processing mode.

■ Print Quantity

Specifies the number of copies to print.

■ Paper Size

Specifies the output paper size for the PDF file.

■ Output Color

Specifies the default output color.

■ 2-Sided

Specifies whether to print on one side or both sides of a sheet of print media. For a two-sided printing, you can specify the printout to be bound by the long edge or short edge.

■ Collated

Specifies whether to sort the PDF job.

■ Print Mode

Specifies the print mode.

◆ Standard

For documents with normal sized characters.

◆ High Quality

For documents with small characters or thin lines, or documents printed using a dot-matrix printer.

■ Layout

Specifies the output layout.

◆ Auto Reduce/Enlarge

Prints the document in the layout specified by the printer.

◆ Booklet Creation

Prints on both sides of a sheet of paper bound by the edge.

◆ 2 Pages per Sheet

Prints two pages on one side of a sheet of paper.

◆ 4 Pages per Sheet

Prints four pages on one side of a sheet of paper.

◆ 100%

Prints in the same size as the document.

■ Password

Specifies the password to print a PDF file secured with a password to open the PDF file.

TIFF/JPEG Settings

Use the [TIFF/JPEG] menu to change printer settings that only affect the TIFF/JPEG jobs.

■ Paper Size

Specifies the paper size.

XPS (XML Paper Specification)

Displays the version of XPS.

Logs

Audit Log

Allows you to enable the [Audit Log] feature which logs the operations on the printer, and retrieve the audit log.

Software Update

You can update the software of the printer when an update is available.

Users with the system administrator permissions can update the software by specifying an update file on the computer.

Plug-in Settings

You can register, view, and enable plug-ins to be used for custom services.

Platform Version

Displays the platform version.

Authentication on Registration

Select this to perform authentication when registering or updating a plug-in.

Plug-in Feature

Set whether to enable embedded plug-ins.

Plug-ins

Displays a list of plug-ins. Select a plugin, and then change the status.

To add a plug-in, click [Add].

Measurements

Units

Allows you to select a unit of measurement displayed on the screen from [Millimeters] or [Inches].

Paper Size Preference

Allows you to select the unit of default paper size to be used for printer settings.

To use the A4 size paper for the following printer settings by default and to set the [Units] setting to [Millimeters], select [Metric].

To use the Letter size paper for the following printer settings by default and to set the [Units] setting to [Inches], select [Inch].

- Default paper size for printing
- Default custom paper sizes displayed on the screen for each paper tray
- Default paper size of each paper tray and the bypass tray

Sounds

Allows you to configure the sound settings of the printer.

Select an event, and use the slider bar to set the volume of the sound.

■ Enable Sounds

Select this to have the printer sound.

■ Touch

Sounds when you touch an item on a screen displayed on the touch screen correctly.

■ Job Completion

Sounds when a job is completed successfully.

■ Log In

Sounds when you log in to the printer.

■ Error/Fault

Sounds when a job fails or an error occurs.

■ Power

Sounds when the printer is ready for operation, or is powered on.

8

Encryption and Digital Signature Settings

Encryption and Digital Signature Overview

Types of Certificate

To use the Encryption feature and the Signature feature on the printer, a certificate is required.

The following two types of device certificate can be used on the printer:

- A self-signed certificate created by Printer Configuration Web Tool (The valid period can be specified from 1 to 9,999 days.)
- A certificate issued by another CA

When you use a certificate issued by another CA, import the certificate using Printer Configuration Web Tool.

Device certificates corresponding to the types of encryption

Types of Encryption	Types of Certificates	
	Self-Signed Certificate	Certificate Issued by Another CA
Encrypting HTTP communications from a client to the printer (SSL/TLS server)	○	○
Encrypting HTTP communications from the printer to a remote server (SSL/TLS client)	X	○
Encryption using IPsec	X	△ ^[*]

○: Available

△: Set as necessary

X: Not available

[*] Available when [IKE Authentication Method] is set to [Digital Signature].

Requesting another CA to issue a certificate

If [Create] is selectable in the [Security Certificates] screen on Printer Configuration Web Tool, you can create a CSR required to get a certificate issued by another CA in the following procedure.

Encryption Features for Communication

The data sent between the printer and computers on a network can be encrypted.

Encrypting HTTP Communications from a Client to the Printer (SSL/TLS Server)

The SOAP, Internet Services (HTTP), IPP, and WebDAV ports use the HTTP server of the printer.

The SSL/TLS protocol is used to encrypt the HTTP communications between a client and the printer.

To encrypt communications, either one of the device certificate is required: a self-signed certificate or a certificate issued by another CA.

Encrypting HTTP Communications from the Printer to a Remote Server (SSL/TLS Client)

The SSL/TLS protocol is used to encrypt the HTTP communications between a remote server and the printer. No certificate is required in general. However, if a remote server is set to require an SSL client certificate, you can use a certificate issued by another CA. When verification of server certificates is enabled to verify the SSL/TLS certificate of a remote server, import a certificate issued by another CA using Printer Configuration Web Tool to the printer.

Encryption using IPsec

IPsec enables IP-level (not application-level) encrypted communications with remote devices.

If you select [Digital Signature] for [IKE Authentication Method], a certificate issued by another CA is required.

If you select [Preshared Key], no device certificate is required.

Note

- If the certificate for IPsec contains the V3 extension (keyUsage), “digitalSignature” bit must be asserted.

To verify the certificate of the remote device, you must register a root certificate created by a CA of the remote device on the printer.

Note

- To use certificates that have already been created, import them with Printer Configuration Web Tool.

Configuration of HTTP Communications Encryption

This section describes the settings to encrypt HTTP communications.

Step1 Configuration on the Printer

Configure a certificate on the printer. When [Automatic Self-Signed Certificate Creation] is set to [On], a self-signed certificate is automatically created as the SSL server certificate. If necessary, import a certificate issued by another CA.

Note

- [Automatic Self-Signed Certificate Creation] is set to [On] by default.

The following describes the procedures to set up a certificate by Printer Configuration Web Tool.

Setting up a Certificate using Printer Configuration Web Tool

To set up a certificate using Printer Configuration Web Tool, you can have the printer create a self-signed certificate for SSL server or can import any registered certificate (issued by another CA) to the printer.

■ Setting the self-signed certificate and the HTTP - SSL/TLS communication

- 1 Set the self-signed certificate settings as necessary.
For details, see "Security Certificates" (P.100).
- 2 Select [Security] > [SSL/TLS Settings].
- 3 Enable [HTTP - SSL/TLS Communication].
- 4 Set [HTTP - SSL/TLS Port Number].

■ Importing a certificate issued by another CA

- 1 Import the certificate.
For details, see "Security Certificates" (P.100).
- 2 Select the certificate in the [Security Certificates] screen.
- 3 In the certificate details screen, make sure that [Category] is set to [Device Certificate], and [Certificate Use] is set to [SSL Server].

Step2 Configuration on the Computer

To encrypt communications between a web browser and the printer, enter an address beginning with “https” instead of “http” in the address box of the web browser.

- Example of IP address entry:
https://192.0.2.1/ (IPv4)
https://[2001:DB8::1234]/ (IPv6)
- Example of Internet address entry:
https://myhost.example.com/

Configuration of Encryption using IPsec

This section describes how to encrypt communications using IPsec.

Step1 Import and Configuration of a Certificate

The following describes configuration procedures to set up a certificate with Printer Configuration Web Tool.

When [IKE Authentication Method] is set to [Digital Signature], configure a certificate on the printer. No certificate is registered on the printer by factory default.

To configure a certificate using Printer Configuration Web Tool, configure the encryption settings for HTTP communications, and then import a certificate issued by another CA to use it for the IPsec certificate.

Note

- You cannot use a self-signed certificate created with Printer Configuration Web Tool for IPsec.
- The printer supports to import RSA® public key (up to 4096 bits).
- If a certificate to be imported as an IPsec certificate contains V3 extension “KeyUsage”, “digitalSignature” bit must be asserted.

Reference

- For details on how to configure the encryption settings for HTTP communication, refer to "Configuration of HTTP Communications Encryption" (P.116).

1 Import a certificate.

For details, see "Security Certificates" (P.100).

Note

- You cannot import a certificate that has been already registered in [Device Certificates] or [Other Certificates]. Delete the registered certificate before importing.
- If the certificate to be imported contains the V3 extension “keyUsage”, “digitalSignature” must be asserted.

2 Select the certificate in the [Security Certificates] screen.

3 In the [Certificate Details] screen, make sure that [Category] is set to [Device Certificate], and [Certificate Use] is set to [IPsec].

Step2 Configuration on the Computer

Configure the following settings on the computer.

- Create an IP security policy
- Assign the IP security policy

Reference

- For details on the settings, refer to the help of the computer.

9

Authentication Features

User Authentication

Types of User

The Authentication feature restricts operations according to the user type.

System Administrator

The system administrator can register and change system settings to adapt to the environment to be used.

A system administrator uses a specific user ID called a system administrator's user ID.

To login as the system administrator, enter the system administrator's user ID in the user ID entry field on the screen.

Login User

Login User is a user registered on the printer or a remote server.

To use restricted features, enter the user ID and passcode on the screen.

Unregistered User

An unregistered user is a user not registered on the printer.

An unregistered user cannot use restricted services.

Types of Authentication

The following describes the types of authentication available on the printer.

You can change the authentication type you use on the printer from Printer Configuration Web Tool. For more information, see "Login/Logout Settings" (P.95).

User ID Authentication

The printer requires users to enter their user information with the touch screen of the printer.

Authentication is performed using user information registered on the printer or user information registered on a remote server.

■ Simple Authentication and Local Authentication

The Simple authentication and the Local authentication use the user information registered on the printer to manage authentication.

The Local authentication requires passcodes and the Simple authentication does not.

A print job directly sent to the printer from a computer can be received on the printer after being authenticated through cross-checking process whereby the authentication information configured on the client's driver with the information registered on the printer.

Reference

- For information on driver settings, refer to the help of the driver.

■ Network Authentication

Authentication is performed for a remote server. User information is not registered on the printer.

The [Network] authentication uses the user information registered on a remote authentication server (LDAP, Kerberos, or SMB) to perform authentication.

Note

- When you change [Login Method], user information registered on the printer will be deleted.
- When you register user information on a remote authentication server, use up to 32 single-byte characters for a user ID and up to 128 single-byte characters for a password. Note, however, that up to 32 single-byte characters are allowed for an SMB authentication password.

User Authentication Operations

This section describes how to log in to the printer using the touch screen, how to log in to Printer Configuration Web Tool, and how to log out.

Log In/Log Out from the Printer

■ Log In from the Touch Screen

- 1 Select [Log In] on the Home screen.
- 2 Select the user account from the list, or enter the user name.

Note

- Enter the user name for the Network authentication. For the Local or Simple authentication, the user identification varies depending on the settings.

- 3 Enter the passcode.

Note

- The Simple authentication does not require passcodes.
- When the Network authentication system is Kerberos or SMB, entering the realm or domain is required.
- When you select the service restricted, the log-in screen appears. Enter the required information to use the service.

■ Log Out of User Authentication

- 1 Select the user name on the Home screen.
- 2 If the confirmation screen appears, select [Log Out].

Note

- For details on the log-out confirmation method, see "Logout Confirmation" (P.96).

Log In/Log Out from the Printer Configuration Web Tool

■ Log In to the Printer Configuration Web Tool

- 1 Select [Log In].

- 2 Select the user account from the list, or enter the user name.

Note

- Enter the user name for the Network authentication. For the Local and Simple authentication, the user identification varies depending on the settings.
- When the Network authentication system is Kerberos or SMB, entering the realm or domain is required. For Kerberos, enter the user name and realm in the UPN format (<username>@<realm>). For SMB, enter the user name and domain in the NetBIOS format (<domain>\<username>).

- 3 Enter the passcode.

Note

- The Simple authentication does not require passcodes.
- When you select the service restricted, a log-in screen appears. Enter the required information to use the service.

■ **Log Out of the Printer Configuration Web Tool**

- 1 Select the user name.
- 2 Select [Log Out].

Creating and Editing User Accounts

Creating New Accounts from the Printer Configuration Web Tool

- 1 In the [Permission] screen, select [Add] of the [User Accounts] label.
- 2 Enter the user name in the [Add New Account] screen.
- 3 If the password is required for authentication, set the password.
- 4 Set the contact details in the [Contact Details] screen.

Editing User Accounts from the Printer Configuration Web Tool

You can edit the user accounts in the user details screen which is displayed when you select [Permissions] and select the desired user name under [User Accounts].

■ **Personalizations**

You can reset the personalized settings for the user.

■ **PC User Names**

You can link PC user names to accounts on the printer.

■ **E-mail "From" Address**

You can set the user's e-mail address.

Deleting User Accounts from the Printer Configuration Web Tool

- 1 In the [Permission] screen, select a desired user name under [User Accounts].
- 2 Select [Delete User].



- 3 Select [Delete] on the confirmation screen.

Changing User Password from the Printer Configuration Web Tool

- 1 In the [Permission] screen, select [Admin] or desired user name under [User Accounts].
- 2 Select [Change Password].
- 3 Set the new password on the displayed screen and select [OK].



10

Maintenance

Replacing Consumables

The printer is provided with the following consumables and periodic replacement parts. We recommend the use of the following consumables as they are manufactured to meet the specifications of the printer.

Reference

- For the replacement procedures which are not described in this section, refer to the instructions provided with consumables and periodic replacement parts.

Consumables

Type of Consumables	Product Code	Quantity/Box
Toner Cartridge (K)	16627068	1 unit/box
Toner Cartridge (C)	16627032	1 unit/box
Toner Cartridge (M)	16627044	1 unit/box
Toner Cartridge (Y)	16627056	1 unit/box
Drum Cartridge (K)	16627147	1 unit/box
Drum Cartridge (C)	16627094	1 unit/box
Drum Cartridge (M)	16627109	1 unit/box
Drum Cartridge (Y)	16627111	1 unit/box
Waste Cartridge	16627173	1 unit/box

Note

- We recommend that you always keep spare consumables.

WARNING

- Use a broom or a wet cloth to wipe off spilled toner. Sweep slowly to minimize generation of dust during clean up. Avoid using a vacuum, however, if a vacuum must be used, the unit should be designed for combustible dusts (e.g. explosion rated motor and conductive hose).

CAUTION

- Keep drum cartridges (or drum if not a cartridge type) and toner cartridges out of the reach of children. If a child accidentally swallows toner, spit it out, rinse mouth with water, drink water and consult a physician immediately.
- When replacing drum cartridges (or drum if not a cartridge type) and toner cartridges, be careful not to spill the toner. In case of any toner spills, avoid contact with clothes, skin, eyes and mouth as well as inhalation.
- If toner spills onto your skin or clothing, wash it off with soap and water. If you get toner particles in the eyes, wash it out with plenty of water for at least 15 minutes until irritation is gone. Consult a physician if necessary. If you inhale toner particles, move to a fresh air location and rinse your mouth with water. If you swallow toner, spit it out, rinse your mouth with water, drink plenty of water and consult a physician immediately.

Periodic Replacement Parts

Type of Periodic Replacement Parts	Product Code	Quantity/Box
Maintenance Kit	16627202	1 set/box
Paper Roller Kit	16627161	1 set/box
Transfer Roller	16627197	1 set/box
Fusing Unit 110V	16627185	1 unit/box

Note

- We recommend that you always keep spare periodic replacement parts.

Checking the Supplies Status at the Touch Screen

You can check the status and percentage of life remaining for your printer supplies at the touch screen or from the Printer Configuration Web Tool. When printer supplies near their replacement time, warning alerts appear on the touch screen.

- 1 To view status information for the printer supplies, touch [Device] > [Supplies].
- 2 To view details about a specific item, touch the desired item.
- 3 To return to the Supplies screen, touch [X].
- 4 To return to the Device screen, touch the back arrow.

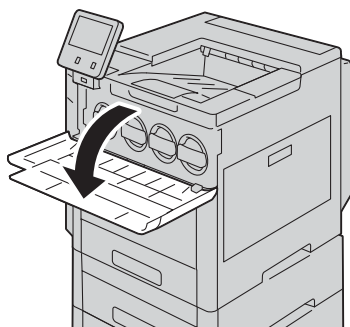
Replacing Toner Cartridge

When the toner cartridge is almost empty, the printer displays a message to prompt you to replace the toner cartridge. Replace the toner cartridge according to the message.

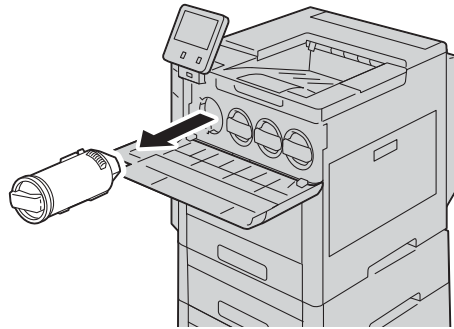
Important

- The use of toner cartridges not recommended by FUJIFILM may degrade image quality and performance. Use toner cartridges recommended by FUJIFILM.

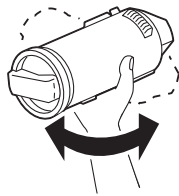
- 1 Make sure that the printer is not operating, and open the front door.



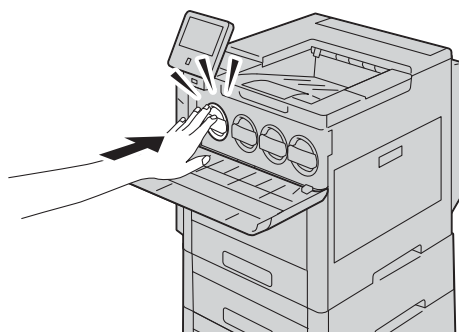
- 2 Hold the handle and pull out the toner cartridge slowly.



- 3 Take the new toner cartridge out of the box, and shake the cartridge up and down and left and right for five or six times.



- 4 Push the cartridge in slowly until it stops.



- 5 Close the front door.

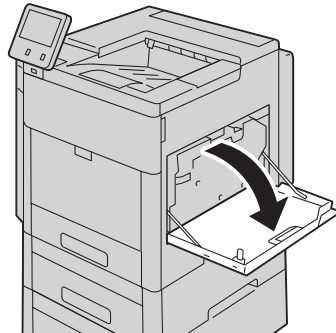
Replacing Drum Cartridge

The printer displays a message when a drum cartridge needs to be replaced. When the message is displayed, replace the drum cartridge.

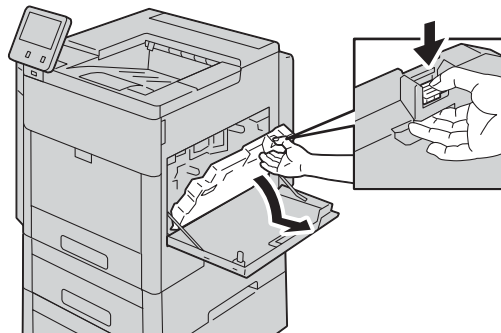
Important

- The use of drum cartridges not recommended by FUJIFILM may degrade image quality and performance. Use drum cartridges recommended by FUJIFILM.

- 1 Make sure that the printer is not operating, and open the right-side door.

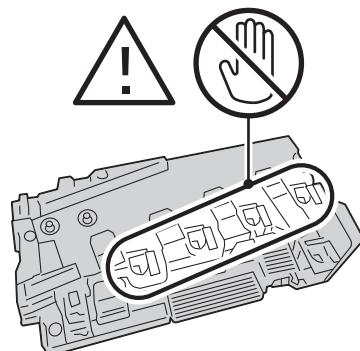


- 2 To remove the waste cartridge, pinch the latch and then lower the top of the cartridge and lift it away from the printer.



Note

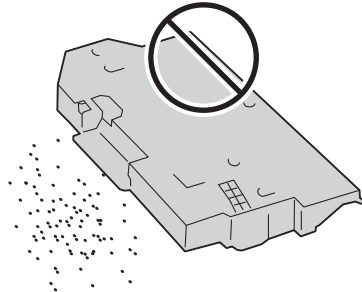
- To prevent toner spills, keep the openings facing up.
- After removing the waste cartridge, do not touch the area shown in the illustration.



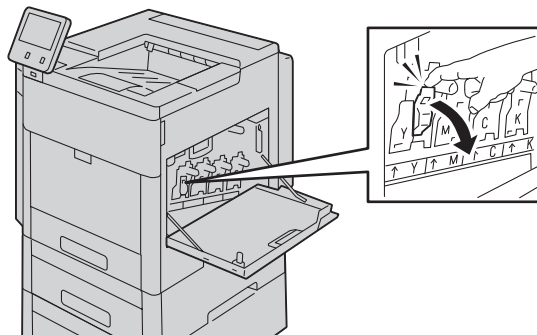
- 3 Place the removed waste cartridge on a level surface, with the openings facing up.

Note

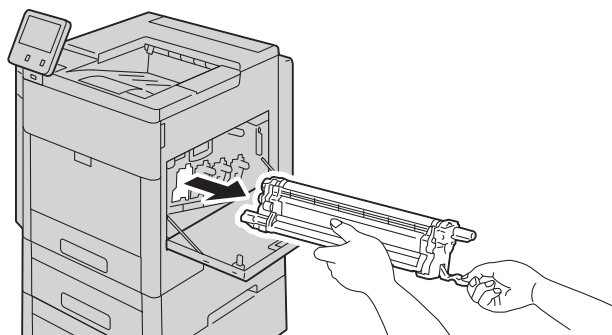
- To avoid toner spills or malfunction, do not lay the waste cartridge on its side, or with the openings facing down.



- 4 Pull down the release lever of the drum cartridge Y, M, C, or K.



- 5 Slide out the drum cartridge gently while holding its bottom, and pull it out from the printer.



Note

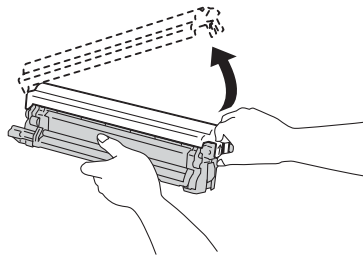
- When removing the drum cartridge, be careful not to drop it on the floor.
- Be careful not to touch the toner attached to the cartridge.

- 6** Take the new drum cartridge out of the box, and insert the used drum cartridge into the supplied plastic bag and place it into the box.

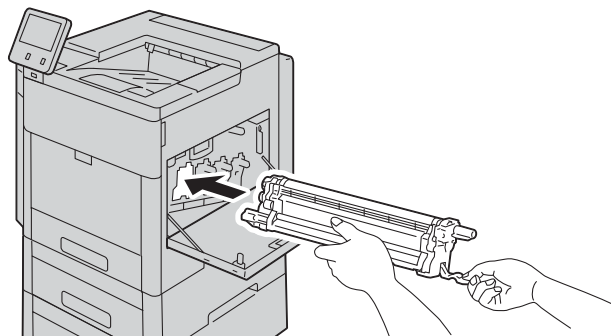
Important

- Do not place the new drum cartridge in an upright position.
- If you have a used drum cartridge no longer needed, contact your local dealer for its disposal.

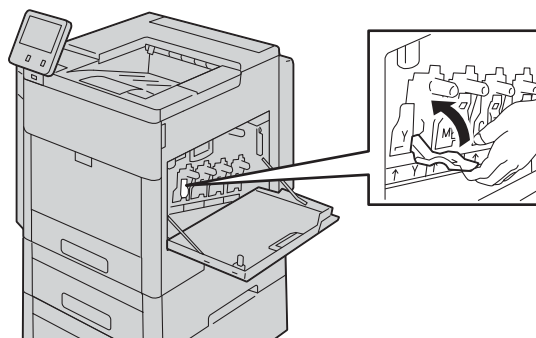
- 7** Remove the protection cover from the drum cartridge.



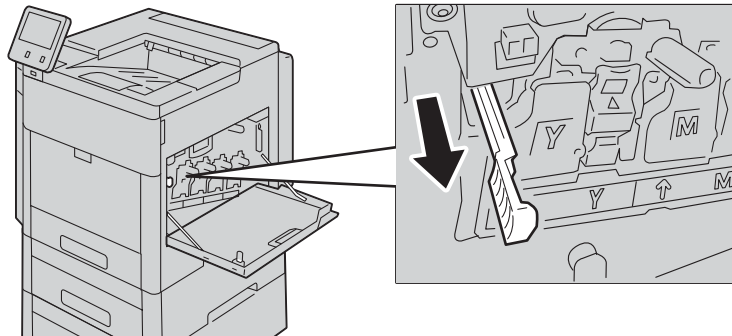
- 8** Insert the new drum cartridge straight in the housing until it clicks into place.



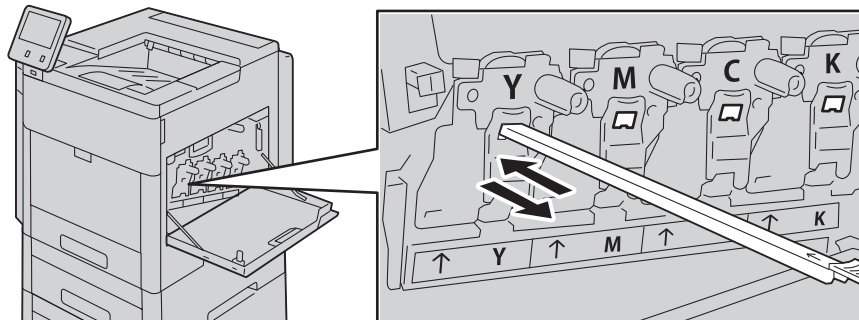
- 9** Pull up to return the release lever of the drum cartridge Y, M, C, or K.



10 Remove the cleaning rod from inside the printer.

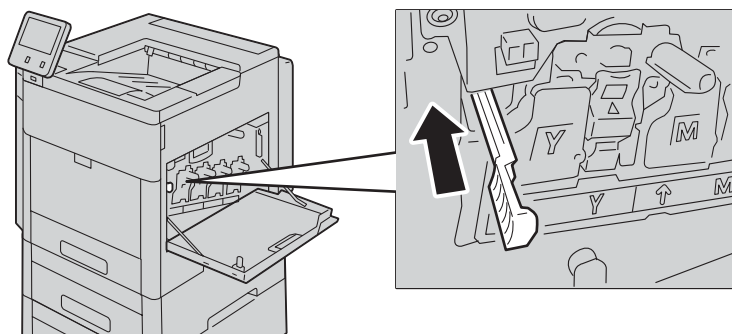


11 Insert the cleaning rod into one of the four cleaning holes until it stops, then pull out the rod. Repeat this two more times.

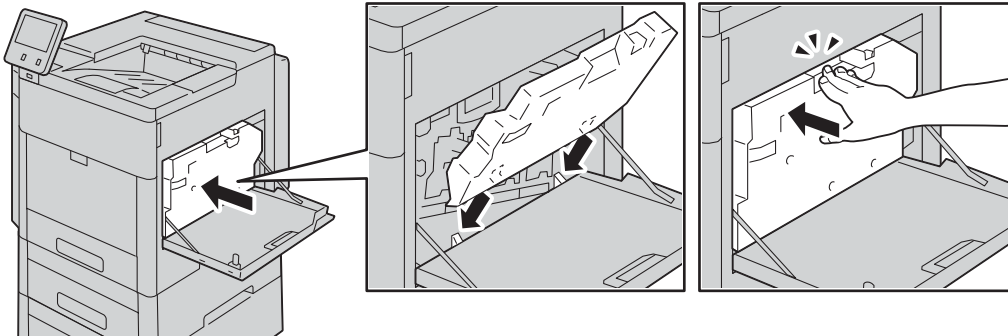


12 Repeat the procedure for the holes in the other three slots.

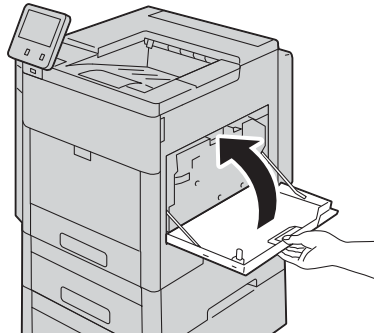
13 Return the cleaning rod to its original location.



- 14** To reinsert the waste cartridge, lower the bottom of the cartridge into position. To lock the cartridge into place, push the top forward until the latch clicks into place.



- 15** Close the right-side door.



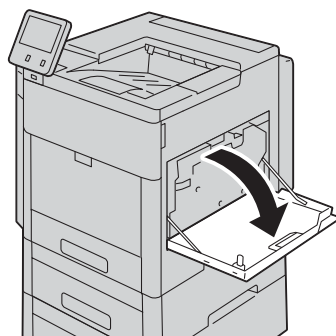
Note

- If the right-side door is not closed completely, a message appears and the printer will remain paused.

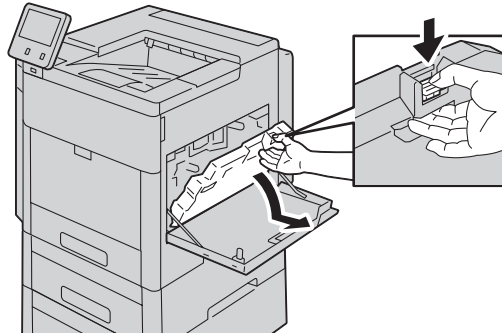
Replacing Waste Cartridge

The printer displays a message when the waste cartridge needs to be replaced. Replace the waste cartridge according to the message.

- 1** Make sure that the printer is not in operation, and open the right side door.



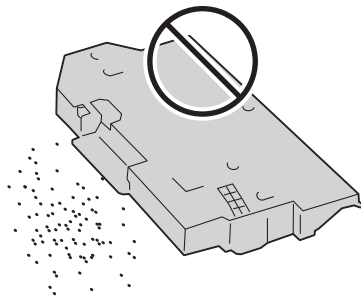
- 2 Unlock the waste cartridge, pinch the latch, to remove the waste cartridge.



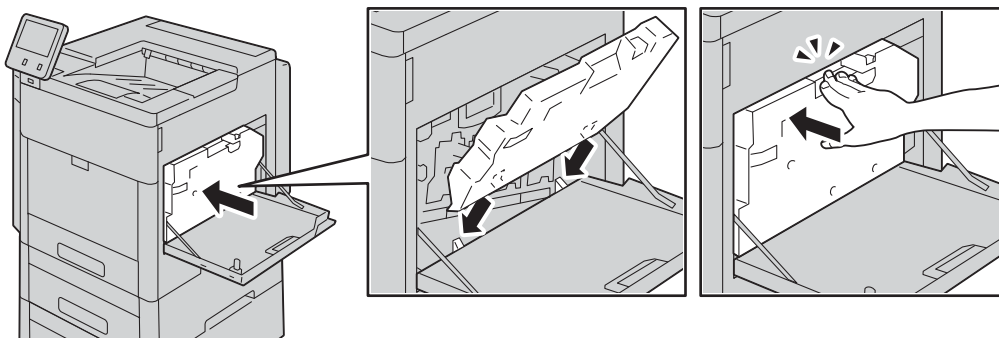
- 3 To prevent toner spills, keep the openings facing up.

Note

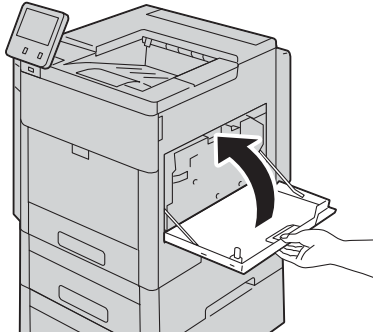
- To avoid toner spills or malfunction, do not lay the waste cartridge on its side, or with the openings facing down.



- 4 To lock the cartridge into place, push the top forward until the latch clicks into place.



5 Close the right-side door.



Cleaning the Printer

⚠ WARNING

Do not use aerosol cleaners. Aerosol cleaners can be explosive or flammable when used on electromechanical equipment.

Before cleaning this product, unplug the product from the electrical outlet. Always use materials specifically designated for this product. The use of other materials may result in poor performance and create a hazardous situation.

Always unplug this equipment from the electrical outlet before cleaning.

Cleaning the Exterior

Clean the exterior of the printer once a month.

Important

- Do not use benzene, paint thinner, or other volatile liquids or spray insect repellent on the printer as they might discolor, deform, or crack covers.
- Cleaning the printer with an excessive amount of water may cause the printer to malfunction or damage documents during copying.

- 1** Wipe the exterior with a firmly wrung soft cloth moistened with water.

Important

- Do not use cleaning agents other than water or neutral detergent.

- 2** Wipe off any excess water with a soft cloth.

Cleaning the Touch Screen

Clean the touch screen once a month.

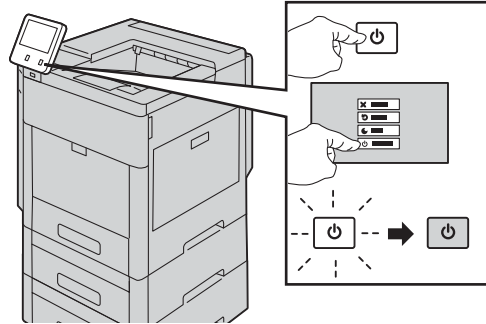
- Wipe the touch screen with a damp, soft cloth.
- After cleaning, wipe with a dry, soft cloth.
- For stubborn stains, apply a small amount of mild detergent to the cloth and gently wipe the stain off.

Cleaning the LED Lenses

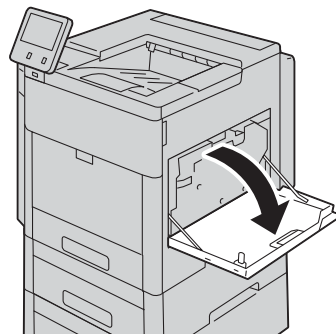
The following describes how to clean the LED lenses of the printer.

If you have image quality problems such as white or colored stripes appearing on printed outputs, clean the LED lenses.

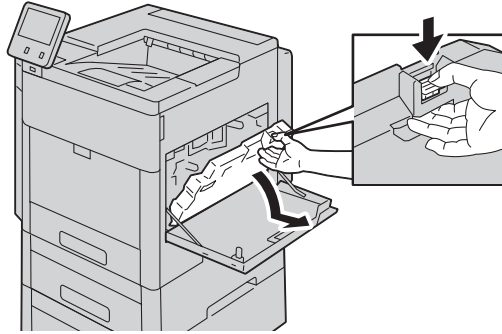
- 1 Switch the power off.



- 2 Open the right-side door.

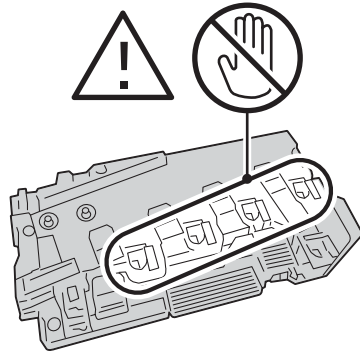


- 3 To remove the waste cartridge, pinch the latch and then lower the top of the cartridge and lift it away from the printer.

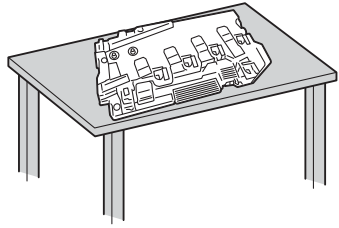


Note

- To prevent toner spills, keep the openings facing up.
- After removing the waste cartridge, do not touch the area shown in the illustration.

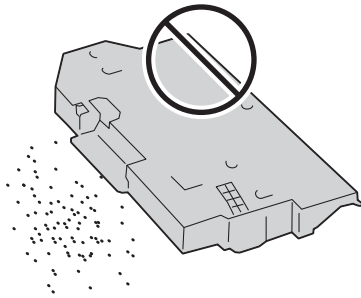


- 4** Place the removed waste cartridge on a level surface, with the openings facing up.

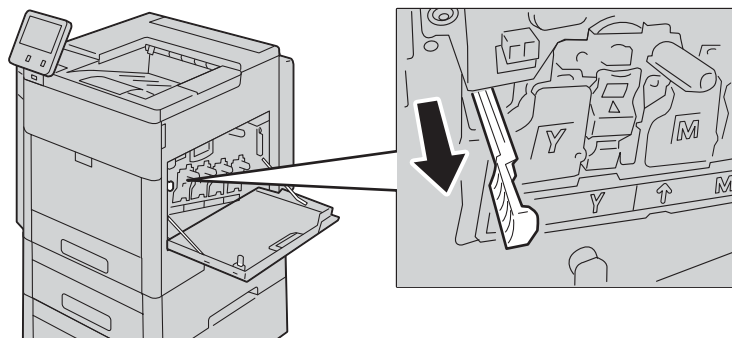


Note

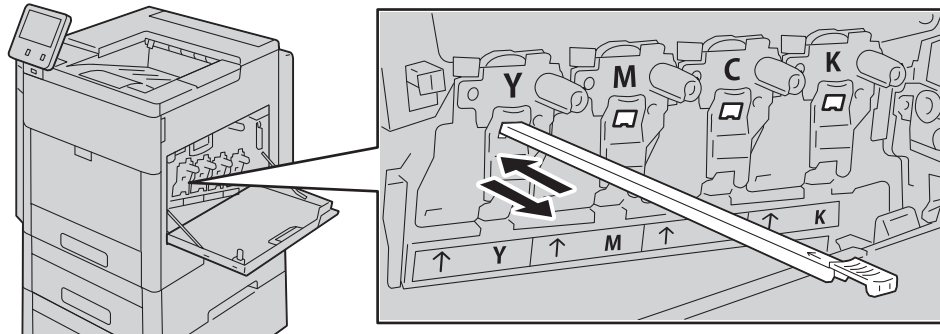
- To avoid toner spills or malfunction, do not lay the waste cartridge on its side, or with the openings facing down.



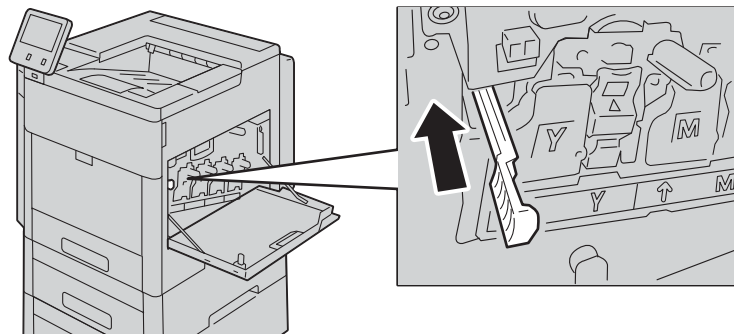
- 5** Remove the cleaning rod from inside the printer.



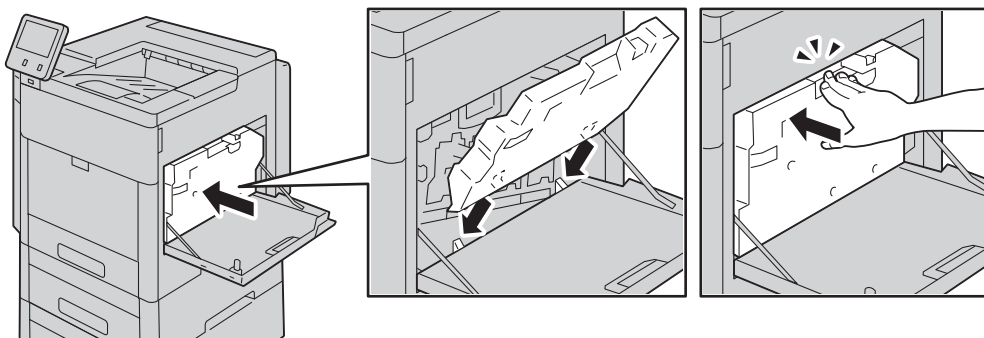
- 6** Insert the cleaning rod into each of the four slots until it stops, then pull out the rod. Move the rod in and out three times for each slot.



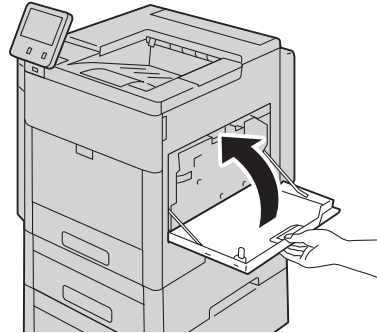
- 7** Return the cleaning rod to its original location.



- 8** Set the bottom of the waste cartridge into its position, and push the top forward until the latch clicks into place.



- 9 Close the right-side door.

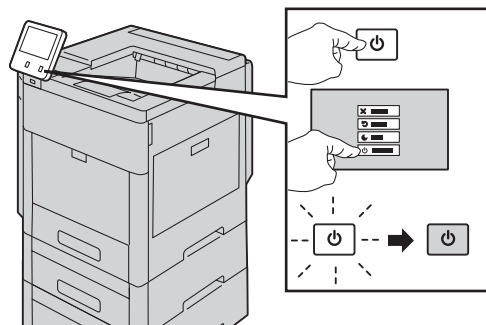


Cleaning the Color-Density Sensors

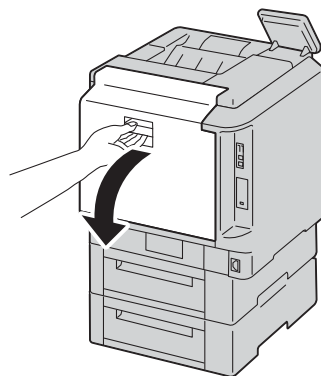
The following describes how to clean the color-density sensors of the printer.

If you have image quality problems such as print or color density, missing parts, or foggy background on printed outputs, clean the color-density sensors.

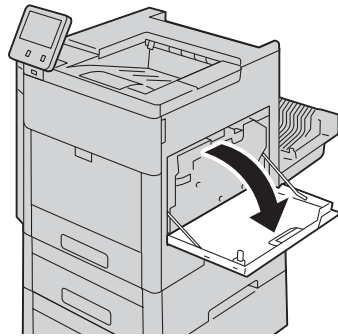
- 1 Switch the power off.



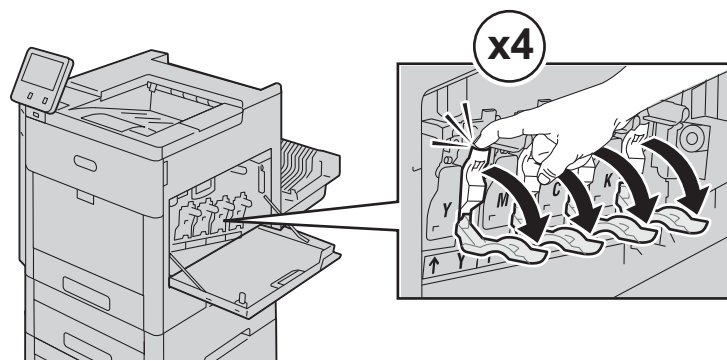
- 2 Lift the rear door release and pull open the door.



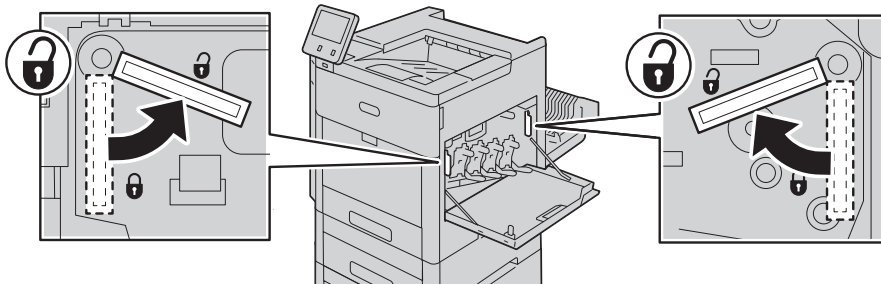
- 3 Open the right-side door.



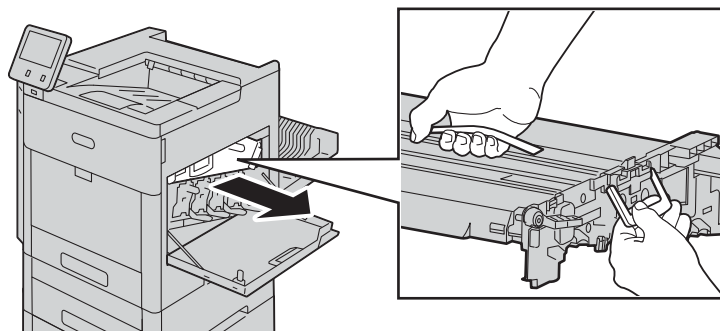
- 4 Pull down the release levers of the drum cartridges Y, M, C, and K.



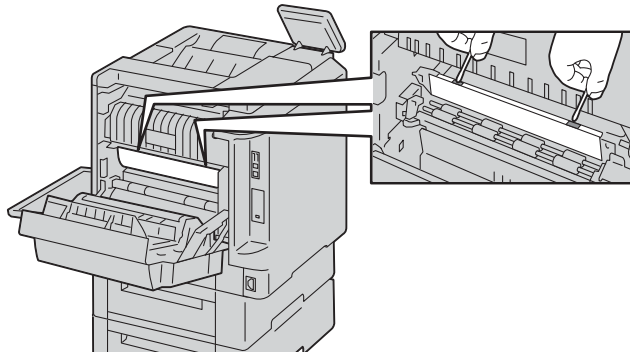
- 5 Pull up the release lever of the belt unit.



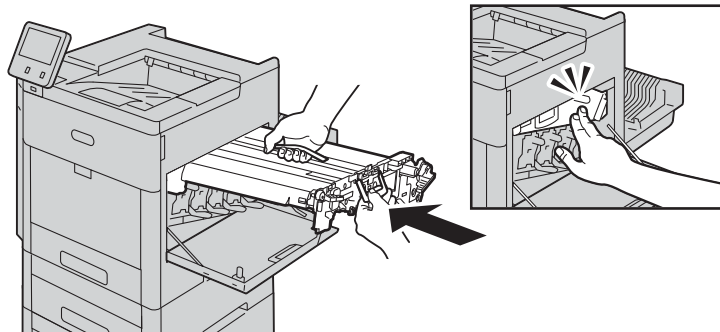
- 6 Slide out the belt unit gently while holding its handles, and pull it out from the printer.



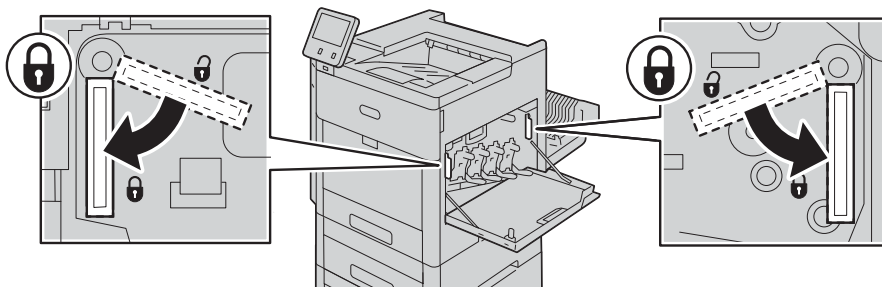
- 7** Use a dry cotton swab to clean the color-density sensors.



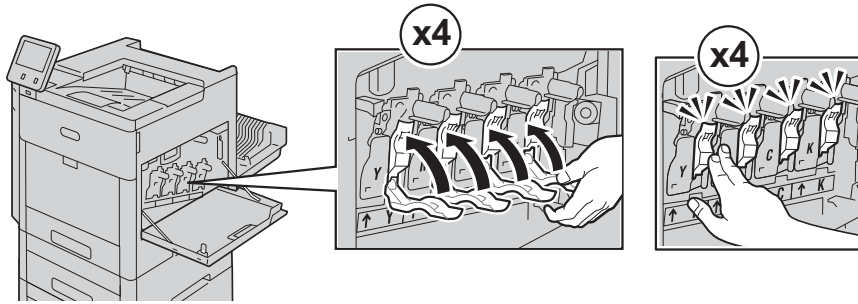
- 8** Insert the belt unit straight in the housing until it clicks into place.



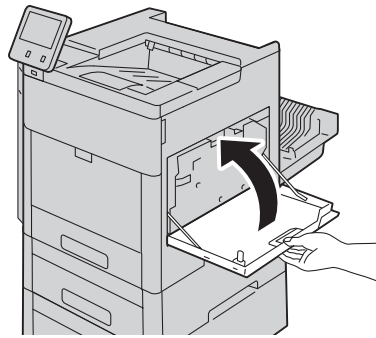
- 9** Pull down the release lever of the belt unit.



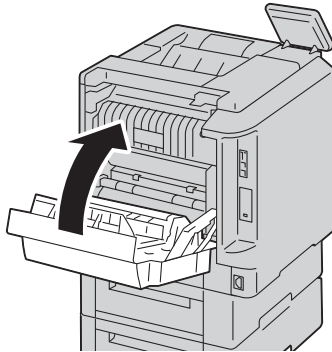
10 Pull up to return the release levers of the drum cartridges Y, M, C, and K.



11 Close the right-side door.



12 Close the rear door.



Adjustments and Maintenance Procedures

Color Registration

The printer automatically adjusts the color registration when automatic adjustment is enabled. You can also adjust color registration manually any time the printer is idle. You must adjust the color registration any time the printer is moved. If you are having printing problems, adjust the color registration.

Note

- Depending on the printer settings, you may need to log in as the system administrator.

- 1** Press the Home button.
- 2** Touch [Device] > [Support] > [Color Registration].
- 3** Touch [Start].
- 4** At the successfully completed prompt, touch [Close].
- 5** To exit the menu, touch [X].
- 6** Press the Home button.

Color Calibration - Automatic

Use Color Calibration to adjust colors that appear incorrect, or for composite grays that look neutral.

Note

- Depending on the printer settings, you may need to log in as the system administrator.

- 1** Press the Home button.
- 2** Touch [Device] > [Support] > [Color Calibration-Automatic].
- 3** Touch [Start]. Follow the on screen instructions.
- 4** When finished, touch [Close].
- 5** To exit the menu, touch [X].
- 6** Press the Home button.

Advanced Color Calibration - Automatic

You can calibrate color automatically.

Note

- Depending on the printer settings, you may need to log in as the system administrator.

- 1** Press the Home button.

- 2 Touch [Device] > [Support] > [Advanced Color Calibration - Automatic].
- 3 Touch [Start] to run Color Calibration automatically.
- 4 At the successfully completed prompt, touch [Close].
- 5 To exit the menu, touch [X].
- 6 Press the Home button.

Adjusting Paper Registration

Use Adjust Paper Registration to adjust the placement of the printed image on the page. The adjustment allows you to place the top, bottom, left, and right margins exactly where you want. You can specify the image position on both the front and back sides of the paper, for each installed paper tray.

Note

- Depending on the printer settings, you may need to log in as the system administrator.

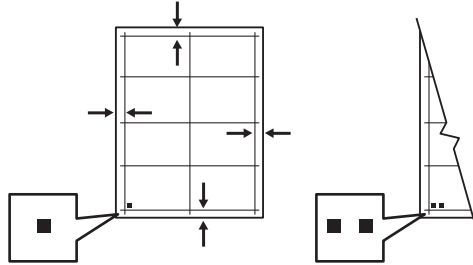
Verifying Paper Registration

- 1 Press the Home button.
- 2 Touch [Device] > [Support] > [Image Position].
- 3 Select the source paper tray for the registration print.
 - 1) Touch [Paper Supply].
 - 2) Touch the desired tray.
- 4 If your printer has automatic 2-sided printing, select the sides that you want to optimize.
 - To select a sample registration page for adjusting side 1, touch [Side to Adjust], then touch [Side 1].
 - To select a sample registration page for adjusting both sides, touch [Side to Adjust], then touch [Side 2].
- 5 Specify the consecutive number of sample pages to print.
 - 1) Touch [Print Settings].
 - 2) To increase or decrease the number of sample pages, for Quantity, touch the Plus icon (+) or the Minus icon (-), then touch [OK].
- 6 To print the sample pages, touch [Print Sample].
- 7 When printing is completed, touch [Close].

- 8** On the sample pages, use a ruler to measure the distance of the printed image from the top, bottom, left, and right edges.

Note

- For identification, a single dot is printed on Side 1, and two dots are printed on Side 2.



- 9** If the image is centered, no adjustment is required. If the image is not centered, adjust the paper registration. For details, refer to "Performing a Paper Registration Adjustment" (P.147).

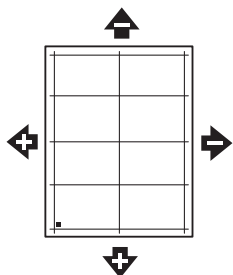
Performing a Paper Registration Adjustment

- 1** Press the Home button.
- 2** Touch [Device] > [Support] > [Image Position].
- 3** To adjust registration, select the source paper tray.
 - 1) Touch [Paper Supply].
 - 2) Touch the desired tray.
- 4** Using the chart printed in Verifying Paper Registration, select the side for registration.
 - 1) For adjusting Side 1, touch [Side to Adjust], then touch [Side 1].
 - 2) For adjusting Side 2, touch [Side to Adjust], then touch [Side 2].
- 5** To adjust the registration, touch [Lead/Side Registration].
 - 1) To adjust the side-to-side registration, for [Side Registration], touch the Plus icon (+) or the Minus icon (-).
 - 2) To adjust the top-to-bottom registration, for [Lead Registration], touch the Plus icon (+) or the Minus icon (-).

For reference, position the chart so that Side-1 or Side-2 dots are at the bottom of the page.

- For Lead Registration, a positive value shifts the image down the page.

- For Side Registration, a positive value shifts the image to the left.



- 6 To save your settings, touch [OK].
- 7 As needed, to enter additional values, repeat the previous steps.
- 8 Print another sample page, then repeat the process until you complete the registration corrections.
- 9 Press the Home button.

Transfer Voltage Adjustment

Use Transfer Voltage Adjustment to specify the bias transfer roller voltage for printing on the selected paper type. If the printed image is too light, increase the voltage for the paper you are using. If the printed image is mottled or blotchy-looking, decrease the voltage for the paper you are using.

Note

- Depending on the printer settings, you may need to log in as the system administrator.

- 1 Press the Home button.
- 2 Touch [Device] > [Support] > [Transfer Voltage Adjustment].
- 3 Touch [Paper Type] and select the paper type.
- 4 To adjust the transfer voltage, for [Voltage Level], touch the Plus icon (+) or the Minus icon (-).
- 5 Touch [Adjust].
- 6 To exit the menu, touch [X].
- 7 Press the Home button.

Adjusting the Fusing Unit

Use Adjust Fusing Unit for optimum print quality across a wide range of paper types. If the toner on a print is smearing or can be rubbed off the paper, increase the temperature for the paper you are using. If the toner is blistered or mottled, decrease the temperature for the paper you are using.

Note

- Depending on the printer settings, you may need to log in as the system administrator.

- 1 Press the Home button.
- 2 Touch [Device] > [Support] > [Fusing Unit Temperature Adjustment].
- 3 Touch [Paper Type] and select the paper type.
- 4 To increase or decrease the fusing temperature, touch the Plus icon (+) or the Minus icon (-), then touch [Adjust].
- 5 To adjust the fusing unit for another paper type, select it from the list, then repeat steps 3 and 4.
- 6 To exit the menu, touch [X].
- 7 Press the Home button.

Adjusting the Altitude

Use Adjust Altitude to adjust the altitude to match that of the location where the printer is installed. If the altitude setting is incorrect, it can cause print-quality problems.

Note

- Depending on the printer settings, you may need to log in as the system administrator.

- 1 Press the Home button.
- 2 Touch [Device] > [Support] > [Altitude Adjustment].
- 3 Touch the altitude of the location of the printer, then touch [OK].
- 4 Press the Home button.

Performing a Developer and Transfer Roller Cleaning Procedure

When a printer sits idle for an extended time, visible background toner can potentially appear on prints. Use the Developer and Transfer Roller Cleaning procedure to reduce background toner on prints.

Note

- Depending on the printer settings, you may need to log in as the system administrator.

- 1 Press the Home button.
- 2 Touch [Device] > [Support] > [Developer & Transfer Roller Cleaning].

- 3 Touch [Start].
- 4 At the successfully completed prompt, touch [Close].
- 5 To exit the menu, touch [X].
- 6 Press the Home button.

Fusing Unit Speed Adjustment

You can adjust fusing speed to prevent occurrence of smearing.

Note

- Depending on the printer settings, you may need to log in as the system administrator.

- 1 Press the Home button.
- 2 Touch [Device] > [Support] > [Fusing Unit Speed Adjustment].
- 3 Touch [Paper Supply] to select a tray to adjust.
- 4 To increase or decrease the fusing speed, touch the Plus icon (+) or the Minus icon (-), then touch [Adjust].
- 5 To adjust the fusing unit speed for another paper tray, select it from the list, then repeat steps 3 and 4.
- 6 To exit the menu, touch [X].
- 7 Press the [Home] button.

Performing a Transfer Belt Cleaning Mode Procedure

Debris on the transfer belt can cause vertical black or color-streaks and lines to appear on prints. To remove black or color-streaks and lines on prints, use the Belt Cleaning Mode procedure.

Note

- Depending on the printer settings, you may need to log in as the system administrator.

- 1 At the printer touch screen, press the [Home] button.
- 2 Touch [Device] > [Support] > [Belt Cleaning Mode].
- 3 To perform a Belt Cleaning Mode procedure, touch [Start].
- 4 At the successfully completed prompt, touch [Close].
- 5 To exit the menu, touch [X].
- 6 Press the [Home] button.

Adjusting the Density

The Adjust Density feature controls how much toner is used to print. Adjust the density for lighter toner use for saving toner, or adjust for heavier density to make prints bolder. A positive adjustment makes the prints darker, while a negative adjustment makes the prints lighter. You can also adjust density to compensate for different paper types and thicknesses.

Note

- Depending on the printer settings, you may need to log in as the system administrator.

- 1** At the touch screen, press the Home button.
- 2** Touch [Device] > [Support] > [Adjust Density] > [Density Level].
- 3** To adjust the density level, move the slider.
- 4** To save your setting, touch [OK].
- 5** To return to the Home screen, press the Home button.

Refreshing the Toner

Toner Refresh recalibrates toner concentration and developer voltages. If you print documents with high or low toner coverage, Toner Refresh can optimize print quality.

Note

- Do not use this procedure repeatedly. Running the procedure repeatedly uses the toner supply more quickly.

Note

- Depending on the printer settings, you may need to log in as the system administrator.

- 1** At the touch screen, press the Home button.
- 2** Touch [Device] > [Support] > [Toner Refresh].
- 3** Touch [Start].
- 4** At the successfully completed prompt, touch [Close].
- 5** To exit the menu, touch [X].
- 6** To return to the Home screen, press the Home button.


Fusing Unit Cleaning

You can clean the fusing unit manually.

Note

- Depending on the printer settings, you may need to log in as the system administrator.

- 1** Press the Home button.
- 2** Touch [Device] > [Support] > [Fusing Unit Cleaning].

- 3 Load 5 sheets or more of Letter (8.5×11")  paper in Bypass Tray, and touch [Start].
- 4 At the successfully completed prompt, touch [Close].
- 5 To exit the menu, touch [X].
- 6 Press the Home button.

Fusing Unit Replacement

You can replace the fusing unit following instructions on the screen.

Important

- If you have removed the fusing unit without this procedure, you cannot set a new fusing unit into the printer. In such case, switch the printer power on and perform the following procedure.

Note

- Depending on the printer settings, you may need to log in as the system administrator.

- 1 Press the Home button.
- 2 Touch [Device] > [Support] > [Fusing Unit Replacement].
- 3 Touch [Start] and follow the instructions to replace the fusing unit.

Paper Blocking Prevention

This feature prevents the occurrence of paper blocking.

Note

- Depending on the printer settings, you may need to log in as the system administrator.

- 1 Press the Home button.
- 2 Touch [Device] > [Support] > [Paper Blocking Prevention].
- 3 Touch [On] or [Off], then touch [OK].
- 4 Press the Home button.

Glossy Cardstock Printing

You can select which of the printing speed or image quality has priority when the printer performs the glossy cardstock printing.

Important

- [Optimize for Speed] will print at the default speed, but some image degradation may occur. [Optimize for Image Quality] will enhance image quality, but slow the printing speed.

Note

- Depending on the printer settings, you may need to log in as the system administrator.

- 1 Press the Home button.
- 2 Touch [Device] > [Support] > [Glossy Cardstock Printing].

- 3** Select [Optimize for Image Quality] or [Optimize for Speed], then touch [OK].
- 4** To exit the menu, touch [X].
- 5** Press the Home button.

Removing and Installing Optional Components

Important

- To lift the printer, always use at least three people to grasp the hand holds on each side of the printer.
- To prevent you from dropping the printer or injury, lift the printer firmly by gripping the recessed areas on both sides of the printer. Never lift the printer by gripping any other areas.

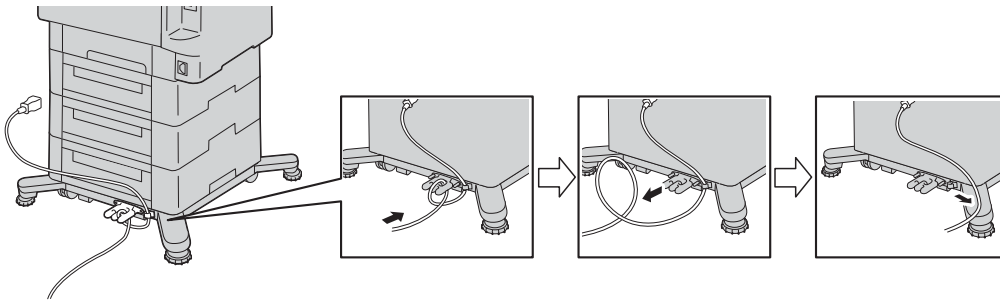
Removing the Sheet Feeders and the Caster

This section describes how to remove the Sheet Feeders and the Caster.

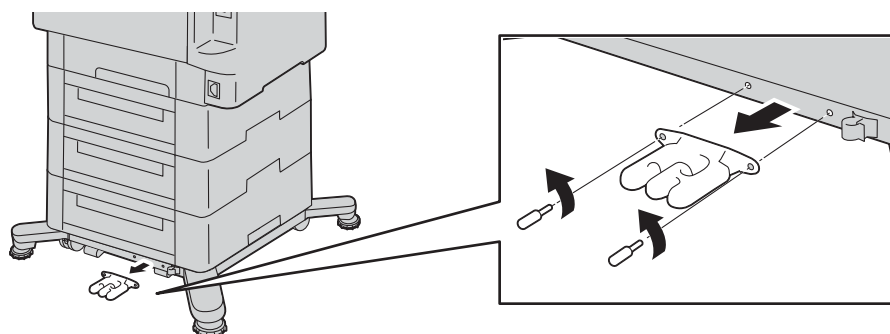
Important

- Close the bypass tray, if opened.

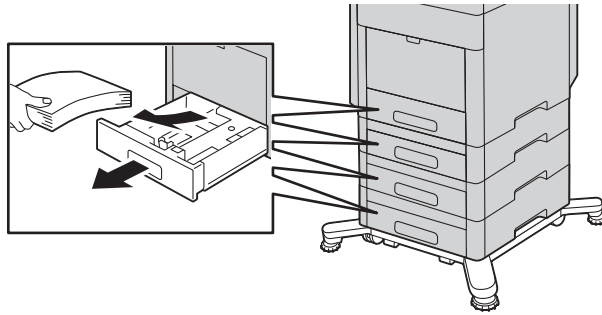
- 1 Turn off the printer, and then unplug the power cable.
- 2 Remove the network cable, the USB cable, and the power cable from the printer.
- 3 Remove the power cable from the cable hook.



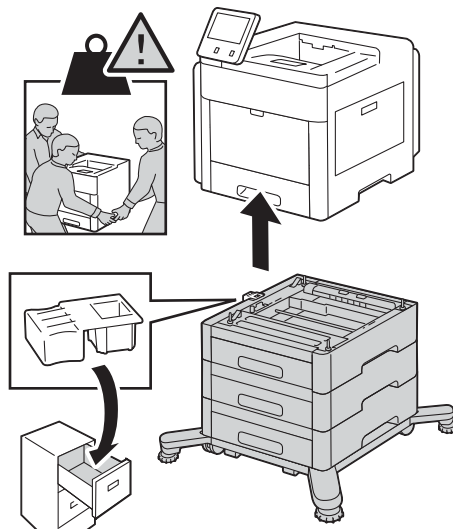
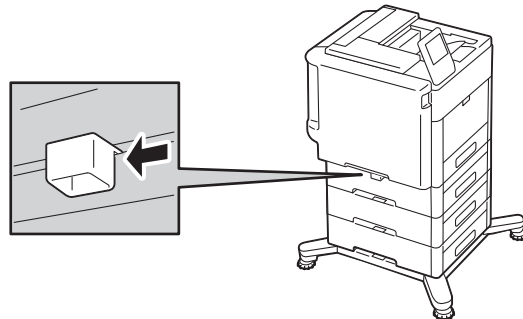
- 4 Take off the cable hook.



- 5** Remove the paper stored in the tray(s).



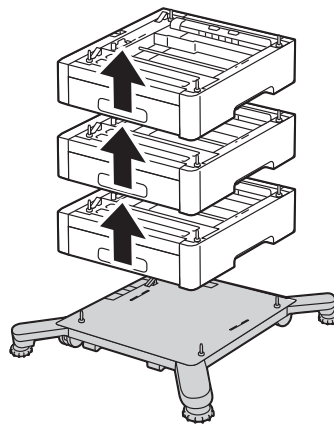
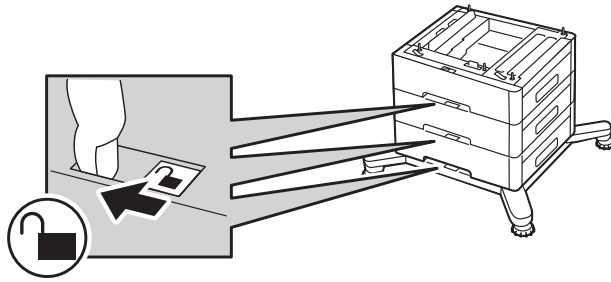
- 6** Release the lock switch of the main body and then lift the main body.



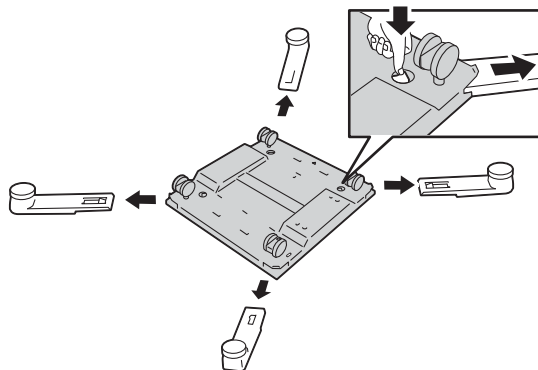
Note

- Make sure not to lose the lock switch you have removed.

- 7 Release the lock switches of sheet feeders and remove from the top feeder to the lower ones.



- 8 Pull out the legs.



Installing the Sheet Feeders and the Caster

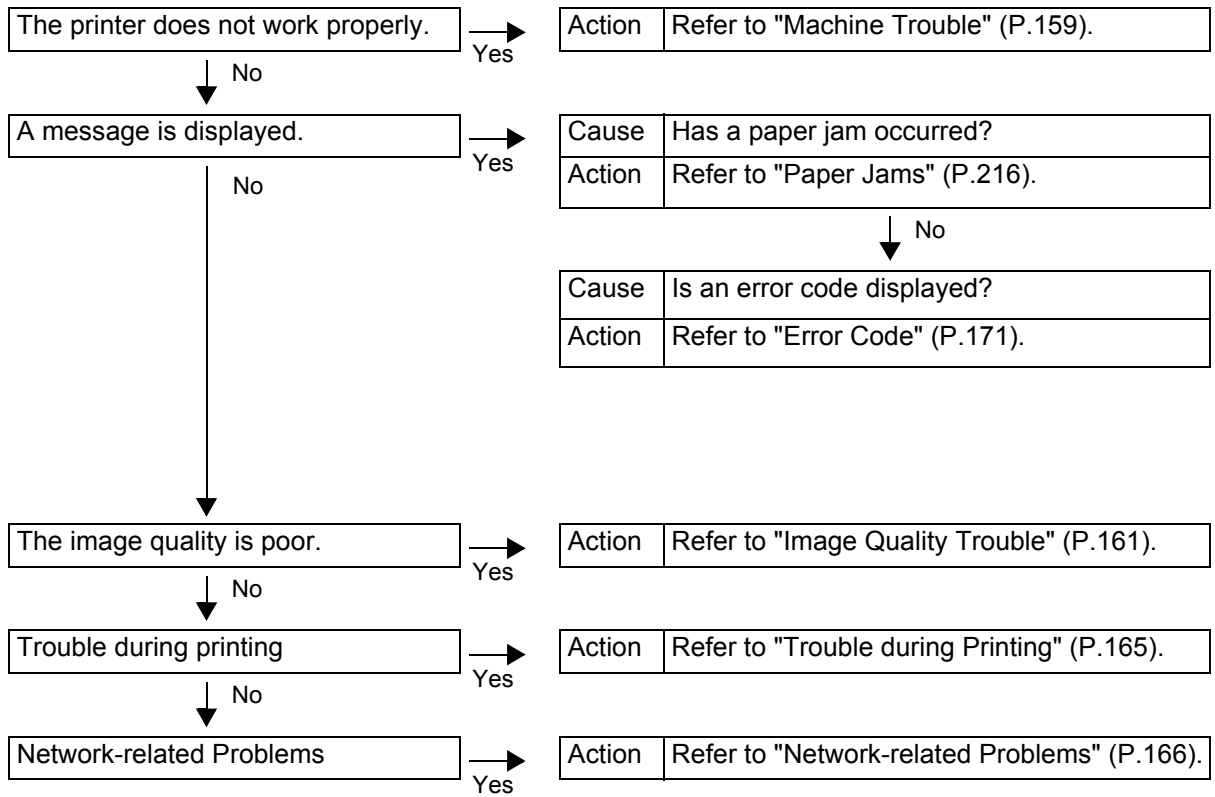
To install the Sheet Feeders and the Caster, see "Removing the Sheet Feeders and the Caster" (P.154) and follow the reverse of its steps.

11

Problem Solving

Troubleshooting

This section describes troubles that may occur with the printer and their solutions. Follow the troubleshooting procedure below to solve the problems.



If the error is not resolved even after following the above procedure, contact your local dealer.

Machine Trouble

Before you conclude that the printer is defective, check the printer status again.



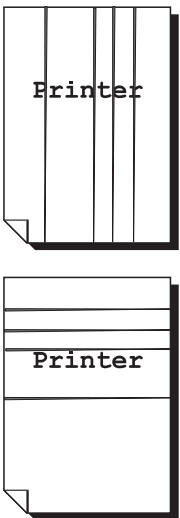
Symptom	Cause	Remedy
The printer is not powered on.	Is the power switch turned on?	Switch the power on.
	Is the power cord plugged into the power outlet?	Switch the power off, and then firmly plug the power cord into the connector of the printer and power outlet. Then switch the power on.
	Is the power cord disconnected from the printer?	
	Does the AC outlet supply power properly?	Connect another appliance to the outlet to verify the power supply.
The touch screen is too dark.	Is the printer in the Power Saver mode?	Press the Power button to exit the Power Saver mode.
	Is the screen brightness too low?	Adjust the screen brightness.
Unable to print.	Is a message displayed on the touch screen?	Follow the instructions displayed to resolve the problem.
	Is the power cord disconnected from the printer?	Switch the power off, and then firmly plug the power cord into the connector of the printer and power outlet. Then switch the power on.
Paper is not fed from Bypass Tray.	Is the specified size paper loaded in the tray?	Follow the instructions displayed to load paper of correct size, and then try again.
Unsatisfactory print quality.	A probable cause is an image defect.	Resolve the problem by referring to "Image Quality Trouble". Reference • Refer to "Image Quality Trouble" (P.161).
Unable to print text correctly. (Text is garbled.)	Non-standard fonts are used for printing.	Check the application or print driver settings.
Unable to insert or remove a paper tray.	Did you open a door or turn the printer off during printing?	Do not forcibly insert or remove the paper tray. Switch off the power. In a few seconds, switch on the power. When the printer is ready to receive data, insert or remove the paper tray.
Paper is often jammed or wrinkled.	Is the paper loaded correctly in the tray?	Load the paper correctly. Reference • Refer to "Loading Paper" (P.40).
	Is the paper tray inserted correctly?	Firmly push in the paper tray until it stops to insert it correctly. Reference • Refer to "Loading Paper" (P.40).

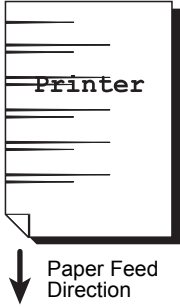
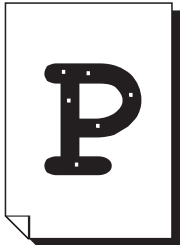


Symptom	Cause	Remedy
Paper is often jammed or wrinkled.	Is the paper damp?	Replace the paper with a new one. Reference • Refer to "Loading Paper" (P.40).
	Is the paper curled?	Turn over the paper in the tray, or replace the paper with a new one. Reference • Refer to "Loading Paper" (P.40).
	Are the paper and paper tray settings correct?	Correctly set the paper and paper trays to correspond to the paper. Reference • Refer to "Loading Paper" (P.40).
	Are any torn pieces of paper remaining or is there a foreign object in the printer?	Open the door of the printer or slide out the paper tray to remove the torn pieces or the foreign object. Reference • Refer to "Paper Jams" (P.216) or "Loading Paper" (P.40).
	Is non-standard paper loaded in the tray?	Replace with paper that meets machine specifications. Reference • Refer to "Paper Types" (P.38) or "Loading Paper" (P.40).
	Is paper exceeding the maximum fill line in the tray?	Load paper in the paper tray so that it does not exceed the maximum fill line. Reference • Refer to "Loading Paper" (P.40).
	Are the paper guides set correctly?	Load the paper correctly, and align the paper guides to the paper. Reference • Refer to "Loading Paper" (P.40).
	Is the image nearly the same size as the paper? Is the paper finely cut out?	Increase the edge erase widths. Some types of paper may not be cut out finely. Load the paper after fanning it well.
The output paper does not stack neatly.	Is the paper loaded correctly in the tray?	Turn over the paper in the tray.
An error message appears after paper is loaded in Bypass Tray.	Check the positions of the paper guides of Bypass Tray.	Adjust the paper guides to the correct positions. Reference • Refer to "Loading Paper in Bypass Tray" (P.47).

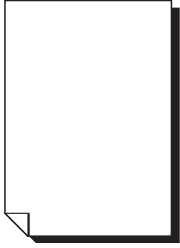


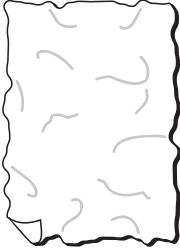

Image Quality Trouble

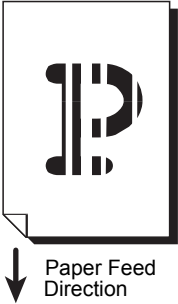

If the image quality of printed documents is poor, identify the symptom in the following table to perform the remedy.

If image quality does not improve even after performing the remedy, contact your local dealer.

Symptom	Cause	Remedy
Printing is faint. (smudged, unclear) 	The paper is damp.	Replace the paper with new one. Reference • Refer to "Loading Paper" (P.40).
	The LED lenses are dirty.	Clean the LED lenses.
	The drum cartridge has deteriorated or is damaged.	Replace the drum cartridge with a new one.
	There is no toner left in the toner cartridge.	Replace the toner cartridge with a new one. Reference • Refer to "Replacing Toner Cartridge" (P.127).
Black dots are printed. 	The drum cartridge has deteriorated or is damaged.	Replace the drum cartridge with a new one.
	The unfixed toner has stuck onto the fusing unit.	Clean the fusing unit. Reference • Refer to "Fusing Unit Cleaning" (P.151).
Black or colored lines are printed. 	The drum cartridge has deteriorated or is damaged.	Replace the drum cartridge with a new one.
	The LED lenses are dirty.	Clean the LED lenses.

Symptom	Cause	Remedy
Dirt appears at equal intervals. 	The paper path is dirty.	Print a few pages to remove the dirt.
	The drum cartridge has deteriorated or is damaged.	Replace the drum cartridge with a new one.
White dots appear in black filled areas. 	The paper is unsuitable.	Load suitable paper. Reference • Refer to "Loading Paper" (P.40).
	The drum cartridge has deteriorated or is damaged.	Replace the drum cartridge with a new one.
Printed toner smudges when rubbed with your finger. Toner is not fused. The paper is soiled with toner. 	The paper is damp.	Replace the paper with a new one. Reference • Refer to "Loading Paper" (P.40).
	The paper is unsuitable.	Load suitable paper. Reference • Refer to "Loading Paper" (P.40).
The entire paper area is printed black. 	The drum cartridge has deteriorated or is damaged.	Replace the drum cartridge with a new one.
	High-voltage power supply may have malfunctioned.	Contact your local dealer.

Symptom	Cause	Remedy
Nothing is printed. 	Two or more sheets of paper are being fed simultaneously (double-feed).	Fan the paper well and load it again. Reference • Refer to "Loading Paper" (P.40).
	Power supply or high-voltage power supply may have malfunctioned.	Contact your local dealer.
White areas or white or colored stripes appear. 	The paper is damp.	Replace the paper with a new one. Reference • Refer to "Loading Paper" (P.40).
	The paper is unsuitable.	Load suitable paper. Reference • Refer to "Loading Paper" (P.40).
The entire output is faint. 	Two or more sheets may be fed simultaneously.	Fan the paper well and load it again. Reference • Refer to "Loading Paper" (P.40).
Paper becomes wrinkled. 	The paper is unsuitable.	Replace the paper with a new one. Reference • Refer to "Loading Paper" (P.40).
	Paper has been added to the paper loaded.	
	The paper is damp.	
Text is blurred. 	The paper is unsuitable.	Replace the paper with new one. Reference • Refer to "Loading Paper" (P.40).
	Paper has been added to the paper loaded.	
	The paper is damp.	

Symptom	Cause	Remedy
<p>White or color patches appear vertically.</p> 	<p>The drum cartridge has deteriorated or is damaged.</p>	<p>Replace the drum cartridge with a new one.</p>
	<p>No toner remains in the toner cartridge.</p>	<p>Replace the toner cartridge with a new one.</p> <p>Reference</p> <ul style="list-style-type: none"> • Refer to "Replacing Toner Cartridge" (P.127).
	<p>The LED lenses are dirty.</p>	<p>Clean the LED lenses.</p>
<p>Text or images are printed at an angle.</p> 	<p>The paper guides in the paper tray are not set in the correct positions.</p>	<p>Adjust the horizontal and vertical paper guides to the correct positions.</p> <p>Reference</p> <ul style="list-style-type: none"> • Refer to "Loading Paper" (P.40).

Trouble during Printing

This section describes how to resolve print problems.

Unable to Print

If you cannot print a document, identify the symptom in the following table to perform the remedy.

Symptom	Cause	Remedy
Data remains in the printer icon.	The printer is not powered on.	Switch the power on.
	The network cable is disconnected from the computer.	Connect the network cable to the computer.
	The network cable is disconnected from the printer.	Connect the network cable to the printer.
	An error occurred in the printer.	Check the error details and take an appropriate action.
	The IP address or SMB network path is not correctly set.	Set the correct IP address or SMB network path.
	The network between the computer and machine is abnormal.	Check with your network administrator.
	The port is not enabled.	Enable the port.
	The data storage space of the printer is insufficient.	Delete unnecessary data such as stored documents (Secure Print) to increase free space.
	The printer is connected to multiple computers.	Wait for a while, and then try printing again.
The data has been sent to the printer.	The printer is out of paper.	Load paper in the printer.
	No paper is loaded for the specified paper size.	Load paper of the size specified. Reference • Refer to "Loading Paper" (P.40).
	An error occurred in the printer.	Check the error details and take an appropriate action.

The Print Result is Not What was Expected

If the print result is not what was expected, identify the symptom in the following table to perform the remedy.

Symptom	Cause	Remedy
Cannot print in color.	[Output Color] is set to [Black and White].	Set [Output Color] to [Color].

Symptom	Cause	Remedy
The image on the document edges is missing on the output.	The image is larger than the printable area.	Expand the printable area of the printer, or reduce the image size on the printout.
The printed font differs from the font specified on the computer.	Font replacement is set on the print driver.	Check the font replacement table.
The specified print options are not enabled.	The print driver for another model is used.	Install the proper print driver for the model you use.
The document edges are missing on the printout.	The image is larger than the printable area.	Expand the printable area of the printer, or reduce the image size on the printout.
The print color differs from before.	The color calibration is incorrect.	Execute auto calibration. Reference • Refer to "Color Calibration - Automatic" (P.145).
Black lines are printed.	A print driver for another machine is used.	Install the proper print driver for the model you use.

Network-related Problems

This section describes how to resolve network related problems.

When using TCP/IP

The possible causes, check points, and remedies when using TCP/IP (LPD) are as follows:

When you cannot print

Cause	Check point	Remedy
The IP address is incorrect.	Request your network administrator to check the printer's IP address.	Set a correct IP address on the printer.
The volume of the print data sent in an instruction from a computer exceeded the maximum receivable volume when the LPD spool is set to memory spool.	Confirm the memory amount for the LPD spool and the volume of the print data transmitted by an instruction.	If the one file of print data exceeds the memory amount, divide the file not to exceed the amount.
		If the print data is divided into multiple files and exceeds the memory amount, decrease the number of files not to exceed the amount.
An unrecoverable error occurred during the printing process.	Confirm whether any error messages are displayed on the touch screen.	Restart the printer. Wait until the screen completely goes out to switch on the printer power.

Cause	Check point	Remedy
The printer is not set to the transport protocol corresponding to the computer.	Confirm the transport protocol selected on the printer.	Select the transport protocol corresponding to the computer.
The printer is trying to process a data format that does not match the data format of the print data transmitted from a computer.	-	Set not to output Ctrl-D.

When print result is not what was expected

Cause	Check point	Remedy
Selected printer language on the printer does not match the printer language of the print data.	Confirm the selected printer language on the printer and the printer language of the print data.	Select the printer language on the printer to match the print data.
The computer is not using the print driver supplied with the printer (is using another company's print driver).	Confirm whether the print driver on the computer is the one supplied with the printer.	On the computer, select the print driver supplied with the printer. If the print driver is not listed for selection, install the print driver and then select it. Operation is not guaranteed if another company's print driver is used.

Printer Configuration Web Tool Problems

The possible symptoms and remedies for problems when using Printer Configuration Web Tool are as follows:

Symptom	Remedy
Cannot connect to Printer Configuration Web Tool.	Is the printer working properly? Check whether the printer is turned on.
	Is the Internet address correctly entered? Confirm the Internet address again. If the problem persists, enter an IP address to connect to Printer Configuration Web Tool.
	Is a proxy server being used? Depending on the proxy server, connections may not be possible. Set the browser to [Not using proxy server] or set that particular address to [Not using a proxy server].
	Are the initial settings of the printer complete? Complete the initial settings.
	Are cookies enabled in your browser? Enable cookies.
The screen display is distorted.	Change the window size for the browser.
The latest information is not displayed.	Refresh the browser.
Characters are not correctly displayed.	Use language command.

Symptom	Remedy
Pressing [OK] does not apply the new settings.	Are the entered values correct? Enter the values with supported characters and numbers.
	This may occur when the touch screen is being operated or the operation has just been completed. When the automatic reset function is set, any setting configure with Printer Configuration Web Tool is not applied until setting the time set for automatic reset. Wait until then.
	the printer is in the Sleep mode. Press the Power button on the control panel of the printer to exit the Power Saver mode.
	Are all the items set? Items marked with [*] are required.
Cannot delete jobs.	Wait for a while, and refresh the browser.

Internet/Intranet Connection Problems

The possible causes and remedies for problems when connecting to the Internet or intranet are as follows:

When connection to the Internet/Intranet fails

Cause	Remedy
The Authentication feature used on the remote server is not supported by the printer.	Only Basic Authentication is supported by the printer. the printer does not support NTLM/digest. For security purposes, change to the Authentication feature using SSL.
The remote linkage services used does not support the model or accessories of the printer.	Purchase products/models/accessories supported by the remote linkage services.
The IP address is incorrect.	Confirm the IP address. If the IP address is incorrect, either set a static IP address or resolve the IP address using DHCP or AutoIP.
The IP gateway address is incorrect.	Set the correct IP gateway address when connecting to the proxy server, or to a Web server via the IP gateway.
The subnet mask is incorrect.	Set the correct subnet mask corresponding to your environment.
The DNS server address is incorrect.	Confirm the DNS server address.
The DNS server selected cannot resolve the address.	Select a DNS server that can resolve the address. <ul style="list-style-type: none"> • When connecting via the proxy server Set the IP address of a DNS server that can resolve the address of the proxy server. • When not connecting via the proxy server Set the IP address of a DNS server that can resolve the destination address.

Cause	Remedy
The address of the address that does not use a proxy server is incorrect.	Confirm whether only addresses that do not use a proxy server are set. Even if addresses not through a proxy server are specified using the FQDN, if a server is directly accessed using its IP address, the registered server is not excluded. Set the address not to use a proxy server. Likewise, even if you directly specify an address that does not use a proxy server, if a server is accessed with the FQDN, the registered server is not excluded. Set an IP address with the FQDN not to use a proxy server.
The desired server, or the proxy server is down.	Confirm whether the desired server or the proxy server is operating correctly.
The network cable is not connected, or broken.	Confirm whether the network cable is correctly connected. We recommend using a spanning-tree configuration, with which network disconnection rarely occurs.
Cannot communicate because of overloading of the server application.	Wait for a while and try accessing again.
An error occurs that is not displayed on the touch screen.	Even though an error occurs during background processing, no message appears on the touch screen. Display the [Jobs] screen or print the Job History Report to confirm the result.
Cannot access the proxy server, firewall, or Web server as a result of access control.	The following types of access control are used. Confirm the configured access control. <ul style="list-style-type: none"> • Address (port) restriction • SSL restriction • User access restriction (including access right levels) • Content block • Scheme restriction (cannot use HTTP etc.) • Transfer data size restriction • Method restriction (cannot use POST etc.) • HTTP header restriction (only accepting specified browsers etc.) • Time restriction (only available during a specific period of time etc.)

IPv4 and IPv6 Connection Problems

The possible causes and remedies for problems when using an IPv4 or IPv6 address are as follows:

Unable to connect using an IPv4 address

Symptom	Remedy
When 0 (zero) is added to the head of a value for the IPv4 address (for example: 192.0.2.010), connection fails.	Do not add 0 (zero) to each value of an IPv4 address.

Unable to connect using an IPv6 address

Symptom	Remedy
You cannot connect to the printer with the link-local address.	When you specify the printer's link-local address, a scope ID must be appended to the address. For example, when you use Internet Explorer 11 on Windows 7 to access the address "fe80::203:baff:fe48:9010", you must append the Ethernet adapter local area connection number (for example, 8) for Windows 7 to the address as follows: fe80::203:baff:fe48:9010%8
The printer cannot connect to a computer running Windows OS that supports IPv6.	Assign a static IPv6 address to the computer running Windows OS that supports IPv6. Then, register the IPv6 address on the printer as host address to allow communication.
A device outside the router cannot be searched.	When searching for a device outside the router via SMB, directly specify the address. Multi-casting is supported only within a local link (FF02::1).
When SSL is enabled on Printer Configuration Web Tool, even if you specify "http://[IPv6 address]", you are not redirected to "https://[IPv6 address]".	When SSL is enabled, directly specify "https://[IPv6 address]".

Unable to print using an IPv6 address

Symptom	Remedy
On an IPv6 network without a DNS server, a computer running Windows OS that supports IPv6 cannot be connected to a Windows shared printer.	Register the computer name of the printer on the "hosts" file stored on the computer running Windows OS that supports IPv6. For example, register in the following file: C:\Windows\system32\driver\etc\hosts

Other problems on IPv6 addresses

Symptom	Remedy
Unable to search devices with IPv6 addresses in UPnP.	In an IPv6 environment, use Function Discovery of Web Services on Devices (WSD).
In an IPv6 network with no DNS server installed, authentication fails if an SMB authentication server is specified using the computer name.	Directly specify the IPv6 address to specify the computer name of an authentication server.
When a Web Applications service is used, you cannot correctly specify the destination URL using the IPv6 address. Example: http://[ipv6:2001:db8::1]	In an IPv6 environment, use a DNS server and specify a remote service's destination URL using the FQDN.
IPv6 addresses are not correctly recorded on output job logs.	Use an IPv4 network for correct logging.

Error Code

This section describes error codes.

An error message and error code (**-**) are displayed on the touch screen if printing terminated abnormally because of an error, or a malfunction occurred in the printer.

Refer to the error codes in the following table to resolve problems.

Important

- If an error code is displayed, any print data remaining in the printer and information stored in the printer's memory is not secured.

If an error code is displayed that is not listed in the following table, or if you cannot resolve an error despite following the instructions described in the table, contact your local dealer. The contact number is printed on the label or card attached to the printer.

“005-001”–“011-999”

Error Code	Cause/Remedy
010-321 010-330 010-331 010-332 010-333 010-334 010-335 010-338 010-339 010-340 010-344 010-345 010-346	<p>[Cause] An error occurred in the printer.</p> <p>[Remedy] Switch off the printer power, make sure that the touch screen is blank, and then switch on the printer power. If the error still is not resolved, contact your local dealer.</p>
011-210	<p>[Cause] Mailbox malfunction</p> <p>[Remedy] Switch off the printer power, make sure that the touch screen is blank, and then switch on the printer power. If the error still is not resolved, contact your local dealer.</p>
011-334	<p>[Cause] Mailbox malfunction</p> <p>[Remedy] Switch off the printer power, make sure that the touch screen is blank, and then switch on the printer power. If the same message is displayed again, contact your local dealer.</p>

“016-001”–“016-999”

Error Code	Cause/Remedy
016-210 016-211 016-212 016-213 016-217 016-218 016-219 016-230 016-233	<p>[Cause] An error occurred in the software.</p> <p>[Remedy] Switch off the printer power, make sure that the touch screen is blank, and then switch on the printer power. If the error still is not resolved, contact your local dealer.</p>
016-234 016-235	<p>[Cause] An error occurred in the Authentication feature of the printer.</p> <p>[Remedy] Switch off the printer power, make sure that the touch screen is blank, and then switch on the printer power. If the error still is not resolved, contact your local dealer.</p>
016-242	<p>[Cause] An error occurred in the printer.</p> <p>[Remedy] Switch off the printer power, make sure that the touch screen is blank, and then switch on the printer power. If the error still is not resolved, contact your local dealer.</p>
016-244	<p>[Cause] Automatic update of the self-signed certificate failed.</p> <p>[Remedy] Turn the printer off and then on, and then execute the operation again. If the error still is not resolved, contact your local dealer.</p>
016-310	<p>[Cause] An error occurred.</p> <p>[Remedy] Switch off the printer power, make sure that the touch screen is blank, and then switch on the printer power. If the same message is displayed again, contact your local dealer.</p>
016-324 016-325 016-326 016-327	<p>[Cause] An error occurred.</p> <p>[Remedy] Switch off the printer power, make sure that the touch screen is blank, and then switch on the printer power. If the same message is displayed again, contact your local dealer.</p>
016-330 016-331 016-332 016-335 016-336 016-337 016-338 016-339 016-340 016-341 016-342	<p>[Cause] An error occurred in the printer.</p> <p>[Remedy] Switch off the printer power, make sure that the touch screen is blank, and then switch on the printer power. If the same message is displayed again, contact your local dealer.</p>

Error Code	Cause/Remedy
016-345 016-347 016-348 016-349 016-350 016-351 016-353 016-354 016-356 016-357 016-358 016-359 016-360 016-361 016-362 016-363 016-364 016-365 016-366 016-367 016-368 016-370	<p>[Cause] An error occurred in the printer.</p> <p>[Remedy] Switch off the printer power, make sure that the touch screen is blank, and then switch on the printer power. If the same message is displayed again, contact your local dealer.</p>
016-383	<p>[Cause] An error occurred.</p> <p>[Remedy] Switch off the printer power, make sure that the touch screen is blank, and then switch on the printer power. If the same message is displayed again, contact your local dealer.</p>
016-400	<p>[Cause] The user name or password for 802.1x authentication does not match in the Ethernet settings.</p> <p>[Remedy] Confirm and correctly enter the user name or password in the Ethernet settings. If the error still is not resolved, check whether the network environment is set correctly.</p>
016-401	<p>[Cause] The 802.1x authentication method cannot be processed in the Ethernet settings.</p> <p>[Remedy] Set the authentication method of the printer to the same method as set for the authentication server in the Ethernet settings.</p>
016-402	<p>[Cause] The authentication connection of Ethernet timed out.</p> <p>[Remedy] Confirm the network connection of Ethernet and switch setting of the authentication device physically connected to the printer via a network, and check whether it is connected to the printer correctly.</p>
016-403	<p>[Cause] The root certificate did not match.</p> <p>[Remedy] Confirm the authentication server and store the root certificate of the server certificate of the authentication server into the printer.</p> <p>If you cannot acquire the root certificate of the server certificate, disable the certification verification of IEEE 802.1x settings.</p>
016-404	<p>[Cause] 802.1x authentication error for Ethernet occurred.</p> <p>[Remedy] Execute the operation again. If the same message is displayed again, contact your local dealer.</p>

Error Code	Cause/Remedy
016-405	<p>[Cause] An error occurred in the certificate stored in the printer.</p> <p>[Remedy] Initialize the certificate.</p>
016-406	<p>[Cause] An error occurred in the SSL client certificate.</p> <p>[Remedy] Take one of the following measures:</p> <ul style="list-style-type: none"> • Store an SSL client certificate in the printer, and set it as the SSL client certificate. • If an SSL client certificate cannot be set on the printer, select an option other than EAP-TLS for the authentication method.
016-407 016-408 016-409 016-410 016-411 016-412	<p>[Cause] After automatically obtained the IP address, the printer failed to retrieve proxy server settings from the DHCP server.</p> <p>[Remedy] Modify the customized program and install it again.</p>
016-422	<p>[Cause] The printer is off-line.</p> <p>[Remedy] Perform the following:</p> <ul style="list-style-type: none"> • When another error message is displayed, solve the problem first. • When the printer is in maintenance mode, complete the maintenance operation. • When another device is accessing the printer, wait until the access is complete. <p>If the problem persists, switch off the printer power, make sure that the touch screen is blank, and then switch on the printer power. If the same message is displayed again, contact your local dealer.</p>
016-423	<p>[Cause] The printer is off-line.</p> <p>[Remedy] Perform the following:</p> <ul style="list-style-type: none"> • When another error message is displayed, solve the problem first. • When a user is using the printer touch screen, complete the user operation. • When another device is accessing the printer, wait until the access is complete. <p>If the problem persists, switch off the printer power, make sure that the touch screen is blank, and then switch on the printer power. If the same message is displayed again, contact your local dealer.</p>
016-424 016-425	<p>[Cause] The printer is in Power Saver mode.</p> <p>[Remedy] Exit the Power Saver mode. If the problem persists, switch off the printer power, make sure that the touch screen is blank, and then switch on the printer power. If the same message is displayed again, contact your local dealer.</p>
016-450	<p>[Cause] The SMB host name already exists.</p> <p>[Remedy] Change the host name.</p>
016-453	<p>[Cause] Updating of the IPv6 address and host name for the DNS server failed.</p> <p>[Remedy] Check whether the IP address of the DNS server is set correctly.</p>

Error Code	Cause/Remedy
016-454	<p>[Cause] Unable to retrieve the IP address from DNS.</p> <p>[Remedy] Confirm the DNS configuration and IP address retrieve setting.</p>
016-455	<p>[Cause] Connection to the SNTP server timed out.</p> <p>[Remedy] Confirm the network cable connection and the IP address of the SNTP server are correct.</p>
016-456	<p>[Cause] Received a message from the SNTP server stating that the server is not synchronized with the standard time source.</p> <p>[Remedy] Confirm the SNTP server settings.</p>
016-500	<p>[Cause] An error occurred.</p> <p>[Remedy] Switch off the printer power, make sure that the touch screen is blank, and then switch on the printer power. If the same message is displayed again, contact your local dealer.</p>
016-502	<p>[Cause] An error occurred.</p> <p>[Remedy] Switch off the printer power, make sure that the touch screen is blank, and then switch on the printer power. If the same message is displayed again, contact your local dealer.</p>
016-503	<p>[Cause] Unable to resolve the SMTP server name when sending e-mail.</p> <p>[Remedy] Check on Printer Configuration Web Tool whether the SMTP server settings are correct. Also, confirm whether the DNS server settings are correct.</p>
016-514	<p>[Cause] An error occurred during processing of an XPS document.</p> <p>[Remedy] If an error occurred while printing from a driver which supports XPS, print from the application using another print driver (PCL, etc.).</p> <p>If an error occurred while direct printing an XPS document, print using the print driver (PCL, etc.) from XPS Document Viewer.</p> <p>Note</p> <ul style="list-style-type: none"> • XPS stands for XML Paper Specification.
016-515	<p>[Cause] There was insufficient memory during processing of an XPS document.</p> <p>[Remedy] Take one of the following measures:</p> <ul style="list-style-type: none"> • Set the image quality setting to standard. See the help of the print driver. • Print using the print driver (PCL, etc.) from XPS Document Viewer. <p>Note</p> <ul style="list-style-type: none"> • XPS stands for XML Paper Specification.

Error Code	Cause/Remedy
016-516	<p>[Cause] The Print Ticket included in the XPS document includes an invalid description or a print setting not supported by the printer.</p> <p>[Remedy] Check whether there is a problem with the method of using the application that sent the print job, or with the content of the print instruction.</p> <p>If your application usage and print instruction are correct, check with the application manufacturer that sent the print job for operations of the application, not with FUJIFILM.</p> <p>If the error still is not resolved, contact your local dealer.</p> <p>Note</p> <ul style="list-style-type: none"> • XPS stands for XML Paper Specification.
016-519	<p>[Cause] The number of pages reached the maximum number of pages specified, and the print job is terminated.</p> <p>[Remedy] Have your system administrator change the maximum limit of printable pages.</p>
016-522	<p>[Cause] LDAP server SSL authentication error. Unable to acquire an SSL client certificate.</p> <p>[Remedy] The LDAP server is requesting an SSL client certificate. Set an SSL client certificate on the printer.</p>
016-523	<p>[Cause] LDAP server SSL authentication error. The server certificate data is incorrect.</p> <p>[Remedy] the printer cannot trust the SSL certificate of the LDAP server. Register the root certificate for the LDAP server's SSL certificate to the printer.</p>
016-524	<p>[Cause] LDAP server SSL authentication error. The server certificate will expire soon.</p> <p>[Remedy] Change the SSL certificate of the LDAP server to a valid one. You can clear this error by disabling SSL/TLS communication for LDAP; however, note that this will not ensure the validity of the LDAP server.</p>
016-525	<p>[Cause] LDAP server SSL authentication error. The server certificate has expired.</p> <p>[Remedy] Change the SSL certificate of the LDAP server to a valid one. You can clear this error by disabling SSL/TLS communication for LDAP; however, note that this will not ensure the validity of the LDAP server.</p>
016-526	<p>[Cause] LDAP server SSL authentication error. The server name does not match the certificate.</p> <p>[Remedy] Set the same LDAP server address to the printer and to the SSL certificate of the LDAP server. You can clear this error by disabling SSL/TLS communication for LDAP; however, note that this will not ensure the validity of the LDAP server.</p>
016-527	<p>[Cause] LDAP server SSL authentication error. This is an SSL authentication internal error.</p> <p>[Remedy] An error occurred in the software. Contact your local dealer.</p>

Error Code	Cause/Remedy
016-529	<p>[Cause] An error occurred when connecting to the Remote Download server. There was no response from the server within the specified time (45 seconds).</p> <p>[Remedy] Confirm the network connection. Check whether the Remote Download server is correctly set on the network.</p>
016-533	<p>[Cause] Kerberos server authentication protocol error</p> <p>[Remedy] The time difference between the printer and the Kerberos server exceeded the clock skew limit value set on the Kerberos server. Check whether the clocks on the printer and Kerberos server are correctly set. Also check whether the summer time and the time zone are correctly set on the printer and Kerberos server.</p>
016-534	<p>[Cause] Kerberos server authentication protocol error</p> <p>[Remedy] Check whether the domain name and the server address have been correctly set on the printer. For connection to Windows Server, specify the domain name in uppercase.</p>
016-535	<p>[Cause] The specified file does not exist on the Remote Download server.</p> <p>[Remedy] Confirm the file.</p>
016-536	<p>[Cause] An error occurred when accessing the DNS prior to connecting to the Remote Download server.</p> <p>[Remedy] Confirm the connection with the DNS. Also check whether the Remote Download server name is registered to the DNS.</p>
016-537	<p>[Cause] Could not connect to the Remote Download server. The port of the destination Remote Download server is not open.</p> <p>[Remedy] Confirm the port in the network settings.</p>
016-538	<p>[Cause] An error occurred when writing the remote download file to the hard disk. The file obtained from the Remote Download server could not be written to the hard disk.</p> <p>[Remedy] Confirm the amount of available space, and delete files that are no longer required. Alternatively, replace the hard disk.</p>
016-539	<p>[Cause] Kerberos server authentication protocol error</p> <p>[Remedy] An error occurred in the software. Contact your local dealer.</p>
016-543	<p>[Cause] The specified domain was deleted from your authentication management software.</p> <p>[Remedy] Select [Refresh] on the [Domain] screen, and update the domain information, or add the domain to your authentication management software.</p>
016-545	<p>[Cause] The specified domain was deleted from your authentication management software.</p> <p>[Remedy] Adjust the times of the computer of Active Directory and the computer on which your authentication management software is installed. Also, if the Windows Time Service of the computer on which the software is installed has stopped, start the service.</p> <p>For more information on the process, refer to the manual for your authentication management software.</p>
016-546	<p>[Cause] A Local User tried to obtain the information of another user.</p> <p>[Remedy] Contact your local dealer.</p>

Error Code	Cause/Remedy
016-548	<p>[Cause] The printer is not registered in your authentication management software.</p> <p>[Remedy] Register the printer in your authentication management software.</p> <p>For more information on the process, refer to the manual for your authentication management software.</p>
016-553	<p>[Cause] Your authentication management software does not support the interface version of the printer.</p> <p>[Remedy] You must upgrade your authentication management software.</p>
016-554	<p>[Cause] The login name and password used for domain user authentication of your authentication management software is invalid.</p> <p>[Remedy] Correctly set the login name and password used for domain user authentication of your authentication management software.</p>
016-555	<p>[Cause] Connection to your authentication management software to the database or the active directory timed out.</p> <p>[Remedy] Check whether you can connect from your authentication management software to the database or Active Directory.</p> <p>For more information on the process, refer to the manual for your authentication management software.</p>
016-556	<p>[Cause] Connection to your authentication management software to the database timed out because of an overload.</p> <p>[Remedy] Because the service is overloaded, wait for a while and try the same operation again. If the error still is not resolved, check your authentication management software.</p> <p>For more information on the process, refer to the manual for your authentication management software.</p>
016-557	<p>[Cause] Your authentication management software internal error occurred.</p> <p>[Remedy] Check your authentication management software.</p> <p>For more information on the process, refer to the manual for your authentication management software.</p>
016-558	<p>[Cause] The printer received an unknown error from your authentication management software.</p> <p>[Remedy] Contact your local dealer.</p>
016-559	<p>[Cause] A remote download parameter error occurred. An invalid value is set for essential system data.</p> <p>[Remedy] Confirm the settings for essential system data.</p>
016-560	<p>[Cause] A communications error occurred between the printer and your authentication management software.</p> <p>[Remedy] Check whether the network cable is connected, and confirm the settings of your authentication management software. Also, print a Configuration Report, and if the DNS address of the server is set to "Server Name / IP Address" for "Authentication Agent", check whether DNS is enabled.</p>

Error Code	Cause/Remedy
016-564	<p>[Cause] Failed to authenticate the Remote Download server.</p> <p>[Remedy] Confirm the login name and password to access the Remote Download server. If the error still is not resolved, contact your local dealer.</p>
016-565	<p>[Cause] Backup failed.</p> <p>[Remedy] Make sure that the USB memory device is inserted securely. If this error occurs during data backup, make sure on your computer that a folder named "backup" exists in the USB memory device.</p>
016-566	<p>[Cause] Backup or restoration failed.</p> <p>[Remedy] For backup, store the firmware download file in the "dwd" folder of your USB memory device, and attach the USB memory device to the printer. For restoration, make sure that the versions of software are the same as those for backup. Make sure that the backup files are created by your printer.</p>
016-567	<p>[Cause] The capacity is not sufficient for backup or for data encryption.</p> <p>[Remedy] Delete existing backup files to make free space.</p>
016-568	<p>[Cause] Access to HDD or USB failed, or the backup file for restoration may have a problem.</p> <p>[Remedy] Delete existing backup files. For USB backup or restoration, make sure that the USB memory device is installed correctly. If the error is repeated, format the USB memory device on your computer.</p>
016-569	<p>[Cause] An error occurred in your authentication management software.</p> <p>[Remedy] Contact your local dealer.</p>
016-570	<p>[Cause] Unable to print because of insufficient memory for job tickets.</p> <p>[Remedy] Increase the size of memory for job tickets, switch off the printer power, make sure that the touch screen is blank, and then switch on the printer power. Try the same operation.</p>
016-571	<p>[Cause] Unable to print because the content of the job ticket is incorrect.</p> <p>[Remedy] Check whether there the print settings are correct, correct the print settings, and then send the print job again.</p>
016-572	<p>[Cause] Unable to print because the paper attribute specified for the job ticket is for paper (paper size, paper quality, or paper color) that cannot be used on this machine.</p> <p>[Remedy] Check whether the paper specified for printing can be used by this machine.</p>
016-573	<p>[Cause] Unable to print because the content of the job ticket is incorrect.</p> <p>[Remedy] Check whether the print driver is correctly installed on the computer that specified printing, whether the operating conditions are satisfied, and whether the driver is one that can be used with this machine.</p>

Error Code	Cause/Remedy
016-700	<p>[Cause] The job was suspended because the number of the digits for the Secure Print or Charge Print passcode set on the print driver was less than the minimum passcode length for stored jobs specified on the printer.</p> <p>[Remedy] On the print driver, set the passcode string equal to or longer than the specified minimum passcode length for stored jobs.</p>
016-701	<p>[Cause] Unable to process print data because of insufficient memory.</p> <p>[Remedy] Stop unnecessary ports or delete unnecessary data to increase memory.</p>
016-702	<p>[Cause] Unable to process print data because of insufficient print page buffer.</p> <p>[Remedy] Take one of the following measures:</p> <ul style="list-style-type: none"> • Lower the print image quality. See the help of the print driver. • Increase the print page buffer size by adding memory.
016-705	<p>[Cause] You have not used the print driver for the printer.</p> <p>[Remedy] Use the print driver appropriate for the printer.</p> <p>If the error still is not resolved, contact your local dealer.</p>
016-706	<p>[Cause] The storage space is insufficient because the number of Secure Print users exceeded the maximum limit.</p> <p>[Remedy] Delete unnecessary files from the printer, and delete unnecessary Secure Print users.</p>
016-707	<p>[Cause] A Sample Set job error.</p> <p>[Remedy] Contact your local dealer.</p>
016-708	<p>[Cause] Unable to annotate because of insufficient storage space.</p> <p>[Remedy] Delete unnecessary data from the storage space.</p>
016-709 016-710	<p>[Cause] An error occurred during print processing.</p> <p>[Remedy] Contact your local dealer.</p>
016-715	<p>[Cause] The printer failed to access the ESCP form because the password of the ESCP form does not match.</p> <p>[Remedy] Enter the correct password of the ESCP form.</p>
016-718	<p>[Cause] Unable to process the PCL print data because of insufficient memory.</p> <p>[Remedy] Reduce the resolution, or cancel 2 sided printing or N up feature, and then print again.</p>
016-719	<p>[Cause] Unable to process the PCL print data because of insufficient print page buffer.</p> <p>[Remedy] Increase the size of the print page buffer.</p>
016-720	<p>[Cause] An invalid command is included in PCL print data.</p> <p>[Remedy] Confirm the print data and try printing again.</p>
016-721	<p>[Cause] ESC/P-K command error occurred.</p> <p>[Remedy] Confirm the print data.</p>
016-728	<p>[Cause] An unsupported tag is included in the TIFF file.</p> <p>[Remedy] Confirm the print data.</p>

Error Code	Cause/Remedy
016-729	<p>[Cause] Unable to print because the number of colors or the resolution of the TIFF file exceeds the allowed range.</p> <p>[Remedy] Change the number of colors or resolution for the TIFF file, and execute the operation again.</p>
016-731	<p>[Cause] Unable to print TIFF data because it was interrupted.</p> <p>[Remedy] Retry printing.</p>
016-732	<p>[Cause] The form specified by emulation has not been registered at the host side.</p> <p>[Remedy] Resend the form data.</p>
016-733	<p>[Cause] Probable causes are as follows:</p> <ol style="list-style-type: none"> 1. Unable to obtain the IP address (the string after "@" in the destination e-mail address) when e-mail is sent. 2. DNS server was unable to resolve the Internet address (the string after "@") by the DNS server when e-mail is sent. <p>[Remedy] For 1, confirm the e-mail address. For 2, confirm the DNS server address.</p>
016-741 016-742 016-743 016-744 016-745	<p>[Cause] An error occurred during the update process of the printer.</p> <p>[Remedy] Switch off the printer power, make sure that the touch screen is blank, and then switch on the printer power. If the error still is not resolved, contact your local dealer.</p>
016-746	<p>[Cause] An unsupported feature is included in the received PDF.</p> <p>[Remedy] Print using a print driver.</p>
016-749	<p>[Cause] The printer language received from the print driver is unsupported by this machine.</p> <p>[Remedy] Use the printer's print driver for printing. If the error still is not resolved, contact your local dealer.</p>
016-750	<p>[Cause] The printer received a printing job ticket with a PDF or XPS from an application that allows direct transmissions of files, but the printing job ticket data had a grammar or print instruction unsupported by the printer.</p> <p>[Remedy] Check whether you are correctly using the application and whether the print instruction was correct.</p> <p>If your application usage and print instruction are correct, check with the application manufacturer that sent the print job for operations of the application.</p> <p>If the error still is not resolved, have the Configuration Report, the Job History Report, and the print data with the printing job ticket ready, and contact your local dealer.</p> <p>Note</p> <ul style="list-style-type: none"> • XPS stands for XML Paper Specification.

Error Code	Cause/Remedy
016-751	<p>[Cause] Probable causes are as follows:</p> <ol style="list-style-type: none"> 1. During the PDF Bridge processing, a syntax or parameter error occurred, an undefined command was used, and a PDF file was damaged. 2. When [Print Processing Mode [408]] for the PDF Direct Print feature has been set to [PS([1])], a PDF file including OpenType fonts is processed. <p>[Remedy]For 1, use the print driver to print the document. For 2, create a PDF file in which OpenType fonts are not included.</p>
016-752	<p>[Cause] Unable to process for PDF Bridge because of insufficient memory space.</p> <p>[Remedy]Lower the image quality to reduce the data size.</p>
016-753	<p>[Cause] The password entered does not match that of the PDF file.</p> <p>[Remedy]Enter the correct password on the printer.</p>
016-755	<p>[Cause] Attempted to process a print-protected PDF file.</p> <p>[Remedy]Cancel the print protection using Acrobat® Reader®, and try printing again.</p>
016-756	<p>[Cause] Do not have permission to use the service.</p> <p>[Remedy]Consult your system administrator.</p>
016-757	<p>[Cause] The account information is incorrect.</p> <p>[Remedy]Check the account information you entered and the account information registered for the printer, to see if the information matches.</p>
016-758	<p>[Cause] The division does not have permission to use the service.</p> <p>[Remedy]Consult your system administrator.</p>
016-759	<p>[Cause] The number of pages reached the maximum number of pages for this service.</p> <p>[Remedy]Consult your system administrator.</p>
016-761	<p>[Cause] An error occurred during image processing.</p> <p>[Remedy]See the help of the print driver. If the error is not resolved, set [Print Page Mode] to [On].</p>
016-762	<p>[Cause] The specified printer language is not installed on the printer.</p> <p>[Remedy]Specify correct printer language.</p>
016-764	<p>[Cause] Unable to connect to the SMTP server.</p> <p>[Remedy]Consult the SMTP server administrator.</p>
016-765	<p>[Cause] Unable to send the e-mail because the hard disk on the SMTP server is full.</p> <p>[Remedy]Consult the SMTP server administrator.</p>
016-766	<p>[Cause] An error occurred on the SMTP server.</p> <p>[Remedy]Consult the SMTP server administrator.</p>
016-767	<p>[Cause] Unable to send the e-mail because the address is not correct.</p> <p>[Remedy]Confirm the address, and try sending again.</p>

Error Code	Cause/Remedy
016-768	[Cause] Unable to connect to the SMTP server because the printer's mail address is incorrect. [Remedy] Confirm the printer's mail address.
016-769	[Cause] The SMTP server does not support delivery receipts (DSN). [Remedy] Send e-mail without setting delivery receipts (DSN).
016-772	[Cause] The DNS server address is not set. [Remedy] Set the DNS server address.
016-781	[Cause] Probable causes are as follows: 1. The mail server cannot be found during e-mail sending (TCP/IP session establishment failed). 2. the printer received an SMTP server error from the mail server during e-mail sending. [Remedy] For 1, take one of the following measures: • Check whether the network cables are plugged in securely. • Check whether the IP address of the SMTP server is specified correctly. For 2, check whether or not ASCII characters are used in machine's e-mail address and host name. Available ASCII characters are alphabets and numbers.
016-792	[Cause] The specified job history does not exist. [Remedy] Try the same operation.
016-799	[Cause] An invalid print parameter is included in the print data of the application, or the print data and the Print Setup settings may not match. [Remedy] Check the print data of the application and the Print Setup settings, and try printing again.

“017-001”–“017-999”

Error Code	Cause/Remedy
017-500	[Cause] Illegal response from the Job Limit Server. [Remedy] Check the job parameter settings, and try again. If the error still is not resolved, contact your local dealer.
017-501	[Cause] You are not permitted to print. [Remedy] Consult your system administrator to change your authorization.
017-503	[Cause] The number of digits of the print job password exceeded the maximum limit. [Remedy] Use the smaller number of digits for your print job password and try the same operation.
017-504 017-505	[Cause] Connection to the Job Limit server failed. [Remedy] Check the network status. Check if the Job Limit server is working.
017-506	[Cause] The job was canceled due to rejection by the Job Limit server. [Remedy] Consult your system administrator.

Error Code	Cause/Remedy
017-507	<p>[Cause] The direct print feature is disabled on the printer.</p> <p>[Remedy] Enable the direct print feature.</p>
017-508	<p>[Cause] The estimated number of sheets for Job Limit is zero.</p> <p>[Remedy] Confirm that the job parameters and the print data are correct, and then perform the process again. If the error still is not resolved, contact your local dealer.</p>
017-713	<p>[Cause] The SMTP server does not support STARTTLS.</p> <p>[Remedy] Change SSL/TLS communication setting to other than [STARTTLS].</p>
017-714	<p>[Cause] SSL connection to the SMTP server failed.</p> <p>[Remedy] Confirm whether the SMTP server supports SSL connection. If the server supports it, check the port number of the SMTP server. If the error still is not resolved, contact your local dealer.</p>
017-715	<p>[Cause] SMTP server SSL server authentication error. The server certificate is invalid.</p> <p>[Remedy] The printer cannot trust the SSL certificate of the SMTP server. Register the root certificate for the SMTP server's SSL certificate to the printer.</p>
017-716	<p>[Cause] SMTP server SSL server authentication error. It is before the valid period of the server certificate.</p> <p>[Remedy] Use the valid SSL server certificate of the SMTP server. You can avoid this error by setting [SMTP-SSL/TLS Communication] in [SSL/TLS Settings] to [Disabled], however the validity of the server cannot be warranted.</p>
017-717	<p>[Cause] SMTP server SSL server authentication error. The server certificate expired.</p> <p>[Remedy] Use the valid SSL server certificate of the SMTP server. You can avoid this error by setting [SMTP-SSL/TLS Communication] under [SSL/TLS Settings] to [Disabled], however the validity of the server cannot be warranted.</p>
017-718	<p>[Cause] SMTP server SSL server authentication error. The server name and certificate do not match.</p> <p>[Remedy] Use the valid SSL server certificate of the SMTP server. You can avoid this error by setting [SMTP-SSL/TLS Communication] in [SSL/TLS Settings] to [Disabled], however the validity of the server cannot be warranted.</p>
017-719	<p>[Cause] SMTP server SSL server authentication error. SSL authentication internal error.</p> <p>[Remedy] Execute the operation again. If the error still is not resolved, contact your local dealer.</p>
017-720	<p>[Cause] Invalid Contact Type value</p> <p>[Remedy] Correct the value of Contact Type specified in the PJJ command, and try again.</p>
017-721	<p>[Cause] Invalid Geographic Region value</p> <p>[Remedy] Correct the value of Geographic Region specified in the PJJ command, and try again.</p>

Error Code	Cause/Remedy
017-729	<p>[Cause] When the printer is used as a print job storage device, print job sending was stopped temporarily because the number of jobs in the printer exceeded the maximum receivable volume or the space for spool data was insufficient.</p> <p>[Remedy] Take one of the following measures:</p> <ul style="list-style-type: none"> • Enable Spool for IPP on Printer Configuration Web Tool of the destination machine. • Wait for a while and try the same operation again.
017-730	<p>[Cause] When the printer is used as a print job storage device, the computer failed to send a job to the printer because a network error occurred.</p> <p>[Remedy] Confirm the following:</p> <ul style="list-style-type: none"> • The network cable is connected properly. • The storage destination machine is powered on. • The IPP port of the storage destination machine is enabled. <p>If the error still is not resolved, contact your local dealer.</p>
017-732	<p>[Cause] When the printer is used as a print job storage device, the computer failed to send a job because the printer is off-line.</p> <p>[Remedy] Set the print mode to online on the destination machine. If the error still is not resolved, contact your local dealer.</p>
017-733	<p>[Cause] When the printer is used as a print job storage device, an internal error in the software is occurred while the job sending to the printer.</p> <p>[Remedy] Execute the operation again. If the error still is not resolved, contact your local dealer.</p>
017-735	<p>[Cause] Device usage is prohibited.</p> <p>[Remedy] Execute the operation again. If the error still is not resolved, contact your local dealer.</p>
017-755	<p>[Cause] Software download error.</p> <p>[Remedy] Take one of the following measures:</p> <ul style="list-style-type: none"> • Check the settings of [Software Update] on Printer Configuration Web Tool. • Download the software through USB.
017-759	<p>[Cause] An error occurred during firmware update in the printer.</p> <p>[Remedy] Contact your local dealer.</p>
017-780	<p>[Cause] A job suspended with [Print Around] was automatically deleted after a certain period of time.</p> <p>[Remedy] Change the settings of [Print Around] if necessary.</p>
017-789	<p>[Cause] A logic error occurred.</p> <p>[Remedy] Check the job parameter settings, and try again. If the error still is not resolved, contact your local dealer.</p>
017-790 017-791	<p>[Cause] You are not permitted to print.</p> <p>[Remedy] Check the time permitted for the operation for you, and try again. Consult your system administrator to change your authorization.</p>

Error Code	Cause/Remedy
017-792 017-793 017-794 017-795 017-796 017-797 017-798 017-799	<p>[Cause] You are not permitted to print.</p> <p>[Remedy] Consult your system administrator to change your authorization.</p>

“018-001”–“020-999”

Error Code	Cause/Remedy
018-400	<p>[Cause] IPsec setting error.</p> <p>[Remedy] Remove the inconsistency of the IPsec settings, and enable IPsec again.</p> <ul style="list-style-type: none"> • When [Preshared Key] is set in [IKE Authentication Method], set the passcode. • When [Digital Signature] is set in [IKE Authentication Method], set an IPsec certificate.
018-405	<p>[Cause] An error occurred during LDAP authentication.</p> <p>[Remedy] The account is disabled in the active directory of the authentication server, or the access is set to disabled. Consult your network administrator.</p>
018-556	<p>[Cause] Received the “XRERROR” error detection code from the HTTP server.</p> <p>[Remedy] 1. Check whether the specified drive and directory is available on the destination HTTP server for the scanned document. 2. Perform the same operation again. If the problem persists, contact your local dealer.</p>
018-560	<p>[Cause] A user authentication error occurred. (Received HTTP Status 401).</p> <p>[Remedy] Check the following:</p> <ul style="list-style-type: none"> • The destination HTTP server for the scanned document is accessible by PC. • Login name • Login password • The HTTP server name • The HTTP server path name
018-561	<p>[Cause] The hostname or the script storage location is not correct. (Received HTTP Status 404).</p> <p>[Remedy] Check the following:</p> <ul style="list-style-type: none"> • The destination HTTP server for the scanned document is accessible by PC. • The HTTP server name • The HTTP server path name

Error Code	Cause/Remedy
018-562	<p>[Cause] A client-side error occurred. (Received HTTP Status 4xx other than 401 and 404).</p> <p>[Remedy]Check the following:</p> <ul style="list-style-type: none"> • The destination HTTP server for the scanned document is accessible by PC. • The server settings
018-563	<p>[Cause] A server-side error occurred. (Received HTTP Status 5xx).</p> <p>[Remedy]Check the following:</p> <ul style="list-style-type: none"> • The destination HTTP server for the scanned document is accessible by PC. • The server settings
018-564	<p>[Cause] DNS resolution for the specified hostname failed.</p> <p>[Remedy]Check the following:</p> <ul style="list-style-type: none"> • The destination HTTP server for the scanned document is registered on the DNS server. • the printer is connected to the DNS server. • The address of the DNS server is set on the printer.
018-565	<p>[Cause] DNS resolution for the proxy server name set on the printer failed.</p> <p>[Remedy]Check the following:</p> <ul style="list-style-type: none"> • The proxy server name set on the printer is registered on the DNS server. • the printer is connected to the DNS server. • The address of the DNS server is set on the printer.
018-566	<p>[Cause] Unable to connect to the HTTP server.</p> <p>[Remedy]Check the following:</p> <ul style="list-style-type: none"> • The network cable connection on the printer • The destination HTTP server for the scanned document is accessible by PC.
018-570	<p>[Cause] A client certificate authentication error occurred on the HTTP server.</p> <p>[Remedy]Check the following:</p> <ul style="list-style-type: none"> • The destination HTTP server for the scanned document is accessible by PC. • The SSL client certificate is registered on the printer. • The device certificate is correctly registered on the HTTP server.
018-590	<p>[Cause] A file or folder of the same name was detected on the server.</p> <p>[Remedy]Take one of the following measures:</p> <ol style="list-style-type: none"> 1. Execute the operation again by not accessing the same folder or the same server from multiple machines. 2. If the error still is not resolved, contact your local dealer.
018-595	<p>[Cause] Multiple entries containing the same smart card information were detected in the database of the LDAP server.</p> <p>[Remedy]Correct the temporary user entries of the LDAP server so that they do not contain the same smart card information.</p>

Error Code	Cause/Remedy
018-596	<p>[Cause] An error occurred during LDAP server authentication.</p> <p>[Remedy] Execute the operation again. If the error still is not resolved, contact your local dealer.</p>
018-700	<p>[Cause] The network for Web Applications is being initialized.</p> <p>[Remedy] Wait for a while, and then execute the operation again.</p>
018-709	<p>[Cause] Network communication error</p> <p>[Remedy] Take one of the following measures depending on the setting:</p> <p>For IPv4 environment</p> <ul style="list-style-type: none"> • Check the IPv4 address of the printer. • Confirm whether the network cable is connected correctly. • Check the address of the DHCP server. <p>For IPv6 environment</p> <ul style="list-style-type: none"> • Confirm whether the global address distributed from an IPv6 router is assigned to the IPv6 address of the printer. • Confirm whether the network cable is connected correctly. • Confirm whether the IPv6 router is set correctly.
018-715	<p>[Cause] Kerberos server authentication protocol error. There is no authentication method which supports both the printer authentication and Kerberos server authentication.</p> <p>[Remedy] Take one of the following measures:</p> <ul style="list-style-type: none"> • Set the appropriate authentication method in the Kerberos server. • Disable the FIPS140 validation mode of the printer. If the error still is not resolved, contact your local dealer.
018-724 018-725	<p>[Cause] The user password set in the Kerberos server expired.</p> <p>[Remedy] Extend the expiration date of the password.</p>
018-728	<p>[Cause] Authentication by the Kerberos server failed.</p> <p>[Remedy] Take one of the following measures:</p> <ul style="list-style-type: none"> • When the root CA certificate of the KDC certificate is not registered, register the root CA certificate. • When the KDC certificate is revoked, update the KDC certificate of the server. • Confirm that the address of the Kerberos server set in the printer and the address on the KDC certificate of the server match.

“023-001”–“025-999”

Error Code	Cause/Remedy
024-312 024-313 024-314 024-315 024-322 024-323 024-324 024-340 024-341 024-342 024-343 024-345 024-346 024-347 024-348 024-349 024-350 024-351 024-352 024-353	<p>[Cause] An error occurred in the printer.</p> <p>[Remedy] Switch off the printer power, make sure that the touch screen is blank, and then switch on the printer power. If the same message is displayed again, contact your local dealer.</p>
024-354 024-355 024-356 024-357 024-358 024-359 024-360 024-361 024-362 024-363 024-364 024-365 024-366 024-367 024-368 024-370 024-371 024-372 024-373 024-375	<p>[Cause] An error occurred in the printer.</p> <p>[Remedy] Switch off the printer power, make sure that the touch screen is blank, and then switch on the printer power. If the same message is displayed again, contact your local dealer.</p>
024-376	<p>[Cause] An error occurred in the printer.</p> <p>[Remedy] Switch off the printer power, make sure that the touch screen is blank, and then switch on the printer power. If the same message is displayed again, contact your local dealer.</p>
024-701	<p>[Cause] The specified paper type is not compatible with the Face Up/Down Output setting selected.</p> <p>[Remedy] Specify a paper type that is compatible with the Face Up/Down setting.</p>
024-702	<p>[Cause] Paper jam occurred while [When Paper Jam Occurs] is set to [Cancel Print] in [Printer Settings].</p> <p>[Remedy] Remove the jammed paper, and then try printing again.</p>

Error Code	Cause/Remedy
024-703	<p>[Cause] Unable to print because the number of booklet pages exceeds the maximum number allowed.</p> <p>[Remedy] Use paper of less weight. Or, cancel the booklet creation.</p>
024-707	<p>[Cause] The paper type is not supported for duplex or inversion.</p> <p>[Remedy] Change the paper type, or change to 1-sided printing.</p>
024-708	<p>[Cause] The paper type is not supported for duplex or inversion.</p> <p>[Remedy] Change the paper type, or change to face-up printing.</p>
024-742	<p>[Cause] Booklet printing was specified for printer properties, but the number of print pages for the job exceeded the maximum number allowed for booklet creation.</p> <p>[Remedy] Change the printer properties setting to split the pages appropriately to create separate volumes, or to cancel the booklet creation setting.</p>
024-746	<p>[Cause] The specified paper type is not compatible with the specified paper size, paper tray, output tray, or 2 sided printing.</p> <p>[Remedy] Confirm the print data.</p>
024-747	<p>[Cause] Incompatible print parameters are used. The combination of the specified features such as Document Size, Paper Size, Paper Tray, 2 sided printing, and Output Tray is incompatible.</p> <p>[Remedy] Confirm the print data, and try printing again.</p>
024-775	<p>[Cause] Booklet printing was specified for printer properties, but the number of print pages for the job exceeded the maximum number allowed for booklet creation.</p> <p>[Remedy] Change the printer properties setting to split the pages appropriately to create separate volumes, or to cancel the booklet creation setting.</p>

“026-001”–“026-999”

Error Code	Cause/Remedy
026-400	<p>[Cause] More than two devices are connected to the USB host port.</p> <p>[Remedy] Disconnect the third or more devices so that the number of connected devices becomes two. If the error still is not resolved, switch off the printer power, make sure that the touch screen is blank, and then switch on the printer power.</p>
026-710	<p>[Cause] The printer has received an e-mail encrypted by S/MIME, but does not support the encryption method.</p> <p>[Remedy] Take one of the following measures:</p> <ul style="list-style-type: none"> • Ask the sender to send the e-mail encrypted by 3DES. • Disable the FIPS140 validation mode of the printer.
026-712	<p>[Cause] An error occurred while operating from Printer Configuration Web Tool.</p> <p>[Remedy] Retry after waiting for a while.</p>
026-718	<p>[Cause] Incompatible print parameters are used. The combination of the specified features such as Document Size, Paper Size, Paper Tray, 2 sided printing, and Output Tray is incompatible.</p> <p>[Remedy] Confirm the print data, and try printing again.</p>

Error Code	Cause/Remedy
026-726	[Cause] The printer configuration information at a print job specification does not match the actual machine configuration. [Remedy] Modify the printer configuration information in the print driver screen to match the actual machine configuration.
026-730	[Cause] The size of paper loaded in the specified tray is unknown. [Remedy] Check whether the paper guides are correctly positioned in the tray, and then try again.
026-731	[Cause] Invalid PIN number [Remedy] Correct the PIN number specified in the PJI command, and try again.
026-732	[Cause] Invalid print count value [Remedy] Correct the print count value specified in the PJI command, and try again.
026-733	[Cause] Invalid password [Remedy] Correct the password specified in the PJI command, and try again.
026-734	[Cause] Download failed. [Remedy] Wait more than 1 minute after user operation is completed, and then start downloading.

“027-001”–“032-999”

Error Code	Cause/Remedy
027-442	[Cause] The IP address of IPv6 already exists. [Remedy] Change the [Self-Assigned Address 1] for IPv6 or the DHCPv6 address on the printer, or the IP address of IPv6 on the network device, to remove the duplication of addresses.
027-443	[Cause] The IP address of IPv6 already exists. [Remedy] Change the [Self-Assigned Address 2] for IPv6 on the printer, or the IP address of IPv6 on the network device, to remove the duplication of addresses.
027-444	[Cause] The IP address of IPv6 already exists. [Remedy] Change the [Self-Assigned Address 3] for IPv6 on the printer, or the IP address of IPv6 on the network device, to remove the duplication of addresses.
027-445	[Cause] The manually configured IPv6 address of the printer is not valid. [Remedy] Change the IPv6 address of printer.
027-446	[Cause] The IP address of IPv6 set manually already exists. [Remedy] Change the [Manual Address] for IPv6 on the printer, or the IP address of IPv6 on the network device, to remove the duplication of addresses.

Error Code	Cause/Remedy
027-447	<p>[Cause] The IP address of IPv6 network already exists.</p> <p>[Remedy] Change the [Link-local Address] for IPv6 on the printer, or the IP address of IPv6 on the network device, to remove the duplication of addresses.</p>
027-452	<p>[Cause] IPv4 address duplication on the network.</p> <p>[Remedy] Change the IPv4 address of the printer or the device on the network.</p>
027-500	<p>[Cause] Unable to connect to the SMTP server.</p> <p>[Remedy] Specify the SMTP server name correctly or specify the server by using its IP address.</p>
027-504	<p>[Cause] An SMTP server error occurred.</p> <p>[Remedy] Execute the operation again. If the error still is not resolved, contact your local dealer.</p>
027-700	<p>[Cause] The domain section of the recipient's e-mail address is a prohibited domain.</p> <p>[Remedy] Specify a domain that is not prohibited for the domain section of the recipient's e-mail address.</p>
027-701	<p>[Cause] The network cable is disconnected from the printer.</p> <p>[Remedy] Connect the network cable securely if the cable is disconnected.</p>
027-702	<p>[Cause] The specified recipient's certificate does not exist.</p> <p>[Remedy] Register the certificate for the recipient on the printer.</p>
027-703	<p>[Cause] The specified recipient's certificate has expired.</p> <p>[Remedy] Register a valid certificate for the recipient on the printer.</p>
027-705	<p>[Cause] The specified recipient's certificate has been revoked.</p> <p>[Remedy] Specify a valid certificate for the recipient.</p>
027-710	<p>[Cause] No S/MIME certificate is attached to the received e-mail.</p> <p>[Remedy] Ask the sender to send the e-mail with an S/MIME certificate attached.</p>
027-711	<p>[Cause] No S/MIME certificate can be obtained from the received e-mail.</p> <p>[Remedy] Import the sender's S/MIME certificate to the printer, or ask the sender to send S/MIME signature mail with an S/ MIME certificate attached.</p>
027-712	<p>[Cause] The received S/MIME certificate has expired, or is an unreliable certificate.</p> <p>[Remedy] Ask the sender to send the e-mail with a valid S/MIME certificate attached.</p>
027-713	<p>[Cause] The received e-mail has been discarded because it may have been altered on its transmission route.</p> <p>[Remedy] Inform this error to the sender, and ask the sender to send the e-mail again.</p>

Error Code	Cause/Remedy
027-714	<p>[Cause] The received e-mail has been discarded because the address in its From field is different from the mail address in the S/MIME signature mail.</p> <p>[Remedy] Inform the sender that the mail addresses differ, and ask the sender to send the e-mail again.</p>
027-715	<p>[Cause] The received S/MIME certificate has not been registered on the printer, or has not been set for use on the printer.</p> <p>[Remedy] Import the sender's S/MIME certificate to the printer, or change settings to use the S/MIME certificate on the printer if the S/MIME certificate has already been registered.</p>
027-716	<p>[Cause] The received S/MIME certificate has been discarded because the certificate was unreliable.</p> <p>[Remedy] Ask the sender to send the e-mail with a reliable S/MIME certificate attached.</p>
027-717	<p>[Cause] Unable to obtain SMTP server address for e-mail transmissions from the DNS server.</p> <p>[Remedy] Check whether the DNS server is set correctly.</p>
027-720	<p>[Cause] Unable to find the server of an application interface destination.</p> <p>[Remedy] Confirm the DNS server address. Or, check whether the computer on which the application is installed has been registered on the DNS server.</p>
027-721	<p>[Cause] An application interface destination does not exist.</p> <p>[Remedy] Check whether the application is operating correctly.</p>
027-722	<p>[Cause] The jobs timed out during connection with an application interface destination.</p> <p>[Remedy] Try processing the job flow again.</p>
027-723	<p>[Cause] Authentication at the application interface destination failed.</p> <p>[Remedy] Confirm the user name and password that is used when creating a job flow.</p>
027-724	<p>[Cause] The application could not be accessed.</p> <p>[Remedy] Check whether the application is operating correctly. If it is operating correctly, confirm the log.</p>
027-725	<p>[Cause] A job operation failed using an application interface.</p> <p>[Remedy] Check whether the application is operating correctly. If it is operating correctly, confirm the log. If it is not operating, confirm the network environment.</p>
027-726	<p>[Cause] The status of the application is unknown.</p> <p>[Remedy] Check whether the application is operating correctly. If it is operating correctly, confirm the log.</p>
027-727	<p>[Cause] Illegal parameter.</p> <p>[Remedy] Check the job flow settings to see if the parameters are correct.</p>
027-728	<p>[Cause] The number of files that are to be sent to external services exceeded the maximum number.</p> <p>[Remedy] Reduce the number of files, and send them again.</p>

Error Code	Cause/Remedy
027-735	<p>[Cause] The data transfer using SSL is specified, but the SSL setting of the printer is disabled.</p> <p>[Remedy] Enable the SSL setting, or specify HTTP for the transfer protocol.</p>
027-736	<p>[Cause] The server certificate verification feature of the printer is disabled when the server certificate verification is required.</p> <p>[Remedy] Enable the server certificate validation. Or, disable the server certificate validation for data transfer.</p>
027-757	<p>[Cause] Probable causes are as follows:</p> <ol style="list-style-type: none"> 1. An error occurred while connecting the server. 2. The reliable certificate has not been registered on the printer. 3. The server addresses of the SSL server and the destination server are not same. 4. The printer tries to communicate with the server using the encryption method which is not supported on the printer. 5. The SSL client certificate has not been registered on the printer. 6. The server certificate has been expired or will be expired soon. <p>[Remedy] For 1), check connection between the printer and the server, or the printer and the DNS server using ping or trace route.</p> <p>For 2), import the CA certificate and intermediate certificate reliable to the SSL server to the printer.</p> <p>For 3), check whether or not the printer communicates via the SSL proxy server which enables you to confirm the SSL communication. When the printer uses the server, set the printer not to use the SSL proxy server.</p> <p>For 4), check the encryption method supported on the printer. Set the available encryption method to the SSL server setting.</p> <p>For 5), import the SSL client certificate and configure the setting to use the certificate.</p> <p>For 6), check the date and time registered on the printer is precise. If they are not, adjust the gap.</p>
027-758	<p>[Cause] The LDAP server sent back RFC2251 Result Message No "49" (invalid credentials).</p> <p>[Remedy] Make sure the login name and password are correctly set in the LDAP server/directory settings. If the same message is displayed again, contact your local dealer.</p>
027-759	<p>[Cause] The connection to the LDAP server specified in the LDAP server/directory settings failed.</p> <p>[Remedy] Make sure the network settings of the printer are correctly set. If the same message is displayed again, consult the network administrator and check the connection from the printer to the server.</p>
027-760	<p>[Cause] An invalid parameter is specified by XJT command.</p> <p>[Remedy] Confirm the specified parameter.</p>

Error Code	Cause/Remedy
027-761	<p>[Cause] An on-demand print job was sent to the printer using the Web Applications feature, but the time interval from receiving the print job until starting the print processing exceeded the time limit specified on the printer.</p> <p>[Remedy]When multiple documents are to be printed, reduce the number of documents, and then execute the operation again.</p>
027-762	<p>[Cause] An on-demand print job is sent to the printer using the Web Applications feature, however, the specified job ticket is invalid because of one of the following causes:</p> <ul style="list-style-type: none"> • Abnormal change to the job ticket because of the printer software failure • Abnormal change to the job ticket because of a bug on the sender's remote server • Abnormal change to the job ticket because of network trouble • Intentional alteration to the job ticket <p>[Remedy]Execute the print job again. If the error still is not resolved, contact your local dealer.</p>
027-763	<p>[Cause] The printer failed to verify the user information against the remote accounting server.</p> <p>[Remedy]Take one of the following measures:</p> <ul style="list-style-type: none"> • Check whether the remote accounting server is operating properly. • Check whether there is no network failure. • Connect the network cable securely. • Confirm the settings on the printer.
027-765	<p>[Cause] DNS name resolution failed.</p> <p>[Remedy]</p> <ul style="list-style-type: none"> • Check if the destination WebDAV server is registered in the DNS server. • Check the connection to the DNS server. • Check the setting of the DNS server address.
027-766	<p>[Cause] Proxy server name resolution failed.</p> <p>[Remedy]</p> <ul style="list-style-type: none"> • Check if the Proxy server is registered in the DNS server. • Check the connection to the DNS server. • Check the setting of the DNS server address.
027-767	<p>[Cause] SSL/TSL connection failed.</p> <p>[Remedy]</p> <ul style="list-style-type: none"> • Check if the destination WebDAV server is accessible from a computer. • Check the SSL settings in the destination WebDAV server. • Check the name of the destination WebDAV server. • Check the path to the destination in the WebDAV server.

Error Code	Cause/Remedy
027-768	<p>[Cause] Certificate validation error</p> <p>[Remedy]</p> <ul style="list-style-type: none"> • Check if the destination WebDAV server is accessible from a computer. • Check if the SSL server certificate for the destination WebDAV server is registered in the printer. • Check if the SSL server certificate for the destination WebDAV server is not expired, or is not in the certificate revocation list. Check the time setting in the printer. Check the certificate path for the SSL server certificate, and import the CA certificate. • If a certificate is not registered in the destination WebDAV server, disable certificate validation.
027-769	<p>[Cause] WebDAV server connection error</p> <p>[Remedy]</p> <ul style="list-style-type: none"> • Check the network cable connection. • Check if the destination WebDAV server is accessible from a computer. • Check the network interface.
027-772	<p>[Cause] An error occurred during communication with the SMTP server.</p> <p>[Remedy] Use ASCII characters to modify the printer's host name setting. If the error still is not resolved, confirm with your network administrator whether the SMTP server supports the HELO command.</p>
027-773	<p>[Cause] An error occurred during communication with the SMTP server.</p> <p>[Remedy] Wait for a while, and then execute the operation again.</p>
027-774	<p>[Cause] The specified e-mail address contains unsupported characters.</p> <p>[Remedy] Specify the e-mail address using only ASCII characters.</p>
027-775	<p>[Cause] Too many destination addresses have been specified.</p> <p>[Remedy] Reduce the number of destination addresses. If the error still is not resolved, confirm with your network administrator whether the SMTP server supports the EHLO command.</p>
027-776	<p>[Cause] An error occurred during communication with the SMTP server.</p> <p>[Remedy] Use ASCII characters to modify the printer's host name setting. If the error is not resolved, confirm with your network administrator whether the SMTP server supports the EHLO command.</p>
027-777	<p>[Cause] The destination SMTP server does not support SMTP-AUTH.</p> <p>[Remedy] On Printer Configuration Web Tool, disable authentication for sending e-mail.</p>
027-778	<p>[Cause] The destination SMTP server does not support the SMTP-AUTH system set on the printer.</p> <p>[Remedy] Confirm the authentication type supported by the SMTP server with your network administrator. The printer supports the following authentication types: AUTH GSSAPI (only for Kerberos), AUTH NTLMv2, AUTH NTLMv1, AUTH PLAIN, AUTH LOGIN, AUTH CRAM-MD5.</p>

Error Code	Cause/Remedy
027-779	<p>[Cause] Failed to authenticate the SMTP server.</p> <p>[Remedy] Confirm the login name and password set to SMTP-AUTH.</p>
027-780	<p>[Cause] Network interface error.</p> <p>[Remedy] Check the network interface.</p>
027-782	<p>[Cause] Maximum redirects have been reached.</p> <p>[Remedy] Check the re-direct setting in the WebDAV server to see if a re-direct loop occurs.</p>
027-783	<p>[Cause] Authorization failed.</p> <p>[Remedy]</p> <ul style="list-style-type: none"> • Check if the destination WebDAV server is accessible from a computer. • Check the login user name and password. • Check the name of the destination WebDAV server. • Check the path to the destination in the WebDAV server.
027-784	<p>[Cause] Authorization failed.</p> <p>[Remedy] Check the user name and password for the proxy server set in the printer.</p>
027-785 027-786	<p>[Cause] WebDAV server connection timeout.</p> <p>[Remedy] Wait for a while and try the same operation again. Consult your network administrator if this failure is repeated.</p>
027-788	<p>[Cause] Request failed.</p> <p>[Remedy]</p> <ul style="list-style-type: none"> • Check if the specified drive and directory in the destination WebDAV server is accessible. • Try the same operation. <p>If the error still is not resolved, contact your local dealer.</p>
027-789	<p>[Cause] Access forbidden</p> <p>[Remedy]</p> <ul style="list-style-type: none"> • Share the destination file and folder to permit reading and writing. • Check the path to the destination.
027-790	<p>[Cause] File not found</p> <p>[Remedy] Check if the specified directory exists in the destination WebDAV server.</p>
027-791	<p>[Cause] The method specified in the request is not allowed.</p> <p>[Remedy]</p> <ul style="list-style-type: none"> • Check if the destination is a WebDAV server. • Share the destination file and folder to permit reading and writing. • Check the path to the destination.
027-792	<p>[Cause] Invalid file path</p> <p>[Remedy] Check the path to the destination.</p>
027-793	<p>[Cause] The request failed.</p> <p>[Remedy]</p> <ul style="list-style-type: none"> • Check if the destination WebDAV server is accessible from a computer. • Try the same operation. <p>If the error still is not resolved, contact your local dealer.</p>

Error Code	Cause/Remedy
027-794	<p>[Cause] An internal error occurred.</p> <p>[Remedy]</p> <ul style="list-style-type: none"> • Check the WebDAV server is working correctly. • Check if the destination WebDAV server is accessible from a computer.
027-795	<p>[Cause] Unknown method</p> <p>[Remedy]</p> <ul style="list-style-type: none"> • Check if the destination is a WebDAV server. • Share the destination file and folder to permit reading and writing.
027-799	<p>[Cause] The destination server does not have sufficient storage space.</p> <p>[Remedy] Make sure that there is available space in the server.</p>
029-700	<p>[Cause] The request failed.</p> <p>[Remedy]</p> <ul style="list-style-type: none"> • Check the WebDAV server is working correctly. • Check if the destination WebDAV server is accessible from a computer.
029-701	<p>[Cause] An invalid response was received.</p> <p>[Remedy]</p> <ul style="list-style-type: none"> • Check if the destination WebDAV server is accessible from a computer. • Check the server settings. <p>If the error still is not resolved, contact your local dealer.</p>
029-702	<p>[Cause] An unexpected error occurred.</p> <p>[Remedy] Try the same operation. If the error still is not resolved, contact your local dealer.</p>
029-711	<p>[Cause] Ethernet error. The proxy auto-config (PAC) file is invalid.</p> <p>[Remedy] Ask your network administrator to see if the format is appropriate for JavaScript, and if the file size is 64 KB or less.</p> <p>If the error still is not resolved, contact your local dealer.</p>
029-712	<p>[Cause] Ethernet error. A timeout error occurred when the printer obtains a proxy auto-config (PAC) file.</p> <p>[Remedy] Check and correct the following:</p> <ul style="list-style-type: none"> • LAN cable connection • Default gateway configuration • Subnet mask configuration • DNS server address configuration <p>If the failure persists, the network or the HTTP server may have a problem. Consult your network administrator.</p> <p>If the error still is not resolved, contact your local dealer.</p>
029-713	<p>[Cause] Ethernet error. A connection error occurred when the printer obtains a proxy auto-config (PAC) file.</p> <p>[Remedy] Check and correct the following:</p> <ul style="list-style-type: none"> • LAN cable connection • Default gateway configuration • Subnet mask configuration • DNS server address configuration <p>If the failure persists, the network or the HTTP server may have a problem. Consult your network administrator.</p> <p>If the error still is not resolved, contact your local dealer.</p>

Error Code	Cause/Remedy
029-714	<p>[Cause] Ethernet error. An error occurred when the printer obtains a proxy auto-config (PAC) file.</p> <p>[Remedy]When [Setup] in [Enable Proxy Server] is set to [Manual], check the location setting. When [Setup] in [Enable Proxy Server] is set to [Configuration Script], the location setting on the DHCP server may have a problem. Consult your network administrator.</p> <p>If the location setting is correct, check on the HTTP server to see if the PAC file exists.</p> <p>If the error still is not resolved, contact your local dealer.</p>
029-715	<p>[Cause] Ethernet error. The proxy auto-config (PAC) file is invalid.</p> <p>[Remedy]When [Setup] in [Enable Proxy Server] is set to [Manual], check the location setting. When [Setup] in [Enable Proxy Server] is set to [Configuration Script], the location setting on the DHCP server may have a problem. Consult your network administrator.</p> <p>If the error still is not resolved, contact your local dealer.</p>
029-716	<p>[Cause] Ethernet error. A timeout error occurred when the printer obtains the URL of a proxy auto-config (PAC) file.</p> <p>[Remedy]Check and correct the following:</p> <ul style="list-style-type: none"> • LAN cable connection • Default gateway configuration • Subnet mask configuration <p>If the failure persists, the network or the DHCP server may have a problem. Consult your network administrator.</p> <p>If the error still is not resolved, contact your local dealer.</p>
029-717	<p>[Cause] Ethernet error. An error occurred when the printer obtains a proxy auto-config (PAC) file. The file was not found. The PAC file location setting on the DHCP server may have a problem.</p> <p>[Remedy]Consult your network administrator.</p> <p>If the error still is not resolved, contact your local dealer.</p>
029-718	<p>[Cause] A timeout error occurred in HTTP communication.</p> <p>[Remedy]Check the network connection status. Wait for a while, and then execute the operation again.</p>
029-719	<p>[Cause] An HTTP communication error occurred. The device could not access the server.</p> <p>[Remedy]The specified document does not exist. Check the server settings.</p>
029-720	<p>[Cause] An HTTP communication error occurred. The device failed to access the file server.</p> <p>[Remedy]Check the proxy server settings, user name, and password.</p>
029-721	<p>[Cause] An HTTP communication error occurred. The device failed to access the proxy server.</p> <p>[Remedy]Check the proxy server and DNS server settings.</p>
029-722	<p>[Cause] An HTTP communication error occurred. The device failed to access the file server or proxy server.</p> <p>[Remedy]Check the server settings or network connection status.</p>

Error Code	Cause/Remedy
029-723	<p>[Cause] An error occurred in the SSL connection.</p> <p>[Remedy] Confirm the access privilege for the server or SSL settings.</p>
029-724	<p>[Cause] An error occurred during data reception.</p> <p>[Remedy] Turn the device off and then on, and then execute the operation again. If problem persists, refer to your User Guide for further details.</p>
029-725	<p>[Cause] An HTTP communication error (DNS name resolution failure) occurred. The device failed to access the file server.</p> <p>[Remedy] Check the DNS server or file server settings.</p>
029-726	<p>[Cause] Unable to process because of an internal error.</p> <p>[Remedy] If two or more jobs are in progress, wait until the jobs are complete, and then execute the operation again.</p>
029-727	<p>[Cause] An internal error occurred.</p> <p>[Remedy] Turn the device off and then on, and then execute the operation again. If problem persists, refer to your User Guide for further details.</p>

“041-001”–“044-999”

Error Code	Cause/Remedy
041-310	<p>[Cause] An error occurred.</p> <p>[Remedy] Switch off the printer power, make sure that the touch screen is blank, and then switch on the printer power. If the same message is displayed again, contact your local dealer.</p>
041-318	<p>[Cause] An error occurred in the printer.</p> <p>[Remedy] Switch off the printer power, make sure that the touch screen is blank, and then switch on the printer power. If the same message is displayed again, contact your local dealer.</p>
041-321 041-322	<p>[Cause] An error occurred in the printer.</p> <p>[Remedy] Switch off the printer power, make sure that the touch screen is blank, and then switch on the printer power. If the same message is displayed again, contact your local dealer.</p>
041-340 041-341	<p>[Cause] An error occurred.</p> <p>[Remedy] Switch off the printer power, make sure that the touch screen is blank, and then switch on the printer power. If the same message is displayed again, contact your local dealer.</p>
041-342	<p>[Cause] An error occurred in the printer.</p> <p>[Remedy] Switch off the printer power, make sure that the touch screen is blank, and then switch on the printer power. If the same message is displayed again, contact your local dealer.</p>
041-343 041-344	<p>[Cause] An error occurred.</p> <p>[Remedy] Switch off the printer power, make sure that the touch screen is blank, and then switch on the printer power. If the same message is displayed again, contact your local dealer.</p>

Error Code	Cause/Remedy
041-363	[Cause] An error occurred in the printer. [Remedy] Switch off the printer power, make sure that the touch screen is blank, and then switch on the printer power. If the same message is displayed again, contact your local dealer.
041-388	[Cause] An error occurred in the printer. [Remedy] Switch off the printer power, make sure that the touch screen is blank, and then switch on the printer power. If the same message is displayed again, contact your local dealer.
042-313	[Cause] An error occurred in the printer. [Remedy] Switch off the printer power, make sure that the touch screen is blank, and then switch on the printer power. If the error still is not resolved, contact your local dealer.
042-325	[Cause] An error occurred in the printer. [Remedy] Switch off the printer power, make sure that the touch screen is blank, and then switch on the printer power. If the error still is not resolved, contact your local dealer.
042-335 042-336	[Cause] An error occurred in the printer. [Remedy] Switch off the printer power, make sure that the touch screen is blank, and then switch on the printer power. If the error still is not resolved, contact your local dealer.
042-348	[Cause] An error occurred in the printer. [Remedy] Switch off the printer power, make sure that the touch screen is blank, and then switch on the printer power. If the error still is not resolved, contact your local dealer.
043-373	[Cause] An error occurred in the printer. [Remedy] Switch off the printer power, make sure that the touch screen is blank, and then switch on the printer power. If the error still is not resolved, contact your local dealer.
044-329	[Cause] An error occurred in the printer. [Remedy] Switch off the printer power, make sure that the touch screen is blank, and then switch on the printer power. If the error still is not resolved, contact your local dealer.
044-370	[Cause] An error occurred in the printer. [Remedy] Switch off the printer power, make sure that the touch screen is blank, and then switch on the printer power. If the error still is not resolved, contact your local dealer.

“045-001”–“046-999”

Error Code	Cause/Remedy
045-310 045-311 045-370 045-371	[Cause] An error occurred. [Remedy] Switch off the printer power, make sure that the touch screen is blank, and then switch on the printer power. If the same message is displayed again, contact your local dealer.

“055-001”–“058-999”

Error Code	Cause/Remedy
058-310 058-311 058-313	<p>[Cause] An error occurred in the printer.</p> <p>[Remedy] Switch off the printer power, make sure that the touch screen is blank, and then switch on the printer power. If the error still is not resolved, contact your local dealer.</p>

“059-001”–“059-999”

Error Code	Cause/Remedy
059-321 059-324 059-326	<p>[Cause] An error occurred in the printer.</p> <p>[Remedy] Switch off the printer power, make sure that the touch screen is blank, and then switch on the printer power. If the error still is not resolved, contact your local dealer.</p>

“060-001”–“060-999”

Error Code	Cause/Remedy
060-341 060-342 060-343 060-344 060-349 060-350 060-351 060-352	<p>[Cause] An error occurred in the printer.</p> <p>[Remedy] Switch off the printer power, make sure that the touch screen is blank, and then switch on the printer power. If the same message is displayed again, contact your local dealer.</p>

“061-001”–“061-999”

Error Code	Cause/Remedy
061-354 061-355 061-356 061-357 061-358 061-359 061-360 061-361 061-362 061-363 061-364 061-365 061-366 061-367 061-368 061-369 061-370 061-371 061-372 061-373 061-390 061-391 061-392 061-393	<p>[Cause] An error occurred.</p> <p>[Remedy] Switch off the printer power, make sure that the touch screen is blank, and then switch on the printer power. If the same message is displayed again, contact your local dealer.</p>

“071-001”–“076-999”

Error Code	Cause/Remedy
072-210	<p>[Cause] Tray 2 malfunction</p> <p>[Remedy] Confirm the paper loading condition for the Tray 2, and then switch off the printer power, make sure that the touch screen is blank, and then switch on the printer power. If the error still is not resolved, contact your local dealer. You can use a tray other than Tray 2.</p>
072-310 072-311	<p>[Cause] Tray 2 malfunction</p> <p>[Remedy] Switch off the printer power, make sure that the touch screen is blank, and then switch on the printer power. If the error still is not resolved, contact your local dealer.</p>
072-312	<p>[Cause] The sheet feeder (Tray 2) may not be supported.</p> <p>[Remedy] Switch off the printer power, make sure that the touch screen is blank, and then switch on the printer power. If the same message is displayed again, remove the sheet feeder (Tray 2) from the printer.</p>
073-210	<p>[Cause] Tray 3 malfunction</p> <p>[Remedy] Confirm the paper loading condition for the Tray, and then switch off the printer power, make sure that the touch screen is blank, and then switch on the printer power. If the error still is not resolved, contact your local dealer. You can use a tray other than Tray 3.</p>

Error Code	Cause/Remedy
073-310 073-311	[Cause] Tray 3 malfunction [Remedy] Switch off the printer power, make sure that the touch screen is blank, and then switch on the printer power. If the error still is not resolved, contact your local dealer.
073-312	[Cause] The sheet feeder (Tray 3) may not be supported. [Remedy] Switch off the printer power, make sure that the touch screen is blank, and then switch on the printer power. If the same message is displayed again, remove the sheet feeder (Tray 3) from the printer.
074-310 074-311	[Cause] Tray 4 malfunction [Remedy] Switch off the printer power, make sure that the touch screen is blank, and then switch on the printer power. If the error still is not resolved, contact your local dealer.
074-312	[Cause] The sheet feeder (Tray 4) may not be supported. [Remedy] Switch off the printer power, make sure that the touch screen is blank, and then switch on the printer power. If the same message is displayed again, remove the sheet feeder (Tray 4) from the printer.

“077-001”–“077-999”

Error Code	Cause/Remedy
077-314	[Cause] An error occurred. [Remedy] Switch off the printer power, make sure that the touch screen is blank, and then switch on the printer power. If the same message is displayed again, contact your local dealer.
077-322 077-323	[Cause] An error occurred in the printer. [Remedy] Switch off the printer power, make sure that the touch screen is blank, and then switch on the printer power. If the error still is not resolved, contact your local dealer.
077-327	[Cause] Tray modules exceeding the prescribed number or the ones for other machine types are connected. [Remedy] Remove unnecessary tray modules.

“081-001”–“091-999”

Error Code	Cause/Remedy
091-312 091-313 091-316	[Cause] An error occurred in the printer. [Remedy] Switch off the printer power, make sure that the touch screen is blank, and then switch on the printer power. If the same message is displayed again, contact your local dealer.

“092-001”–“092-999”

Error Code	Cause/Remedy
092-312 092-313 092-314 092-315	[Cause] An error occurred. [Remedy] Switch off the printer power, make sure that the touch screen is blank, and then switch on the printer power. If the same message is displayed again, contact your local dealer.
092-318	[Cause] Density of Yellow color is low. [Remedy] Switch off the printer power, make sure that the touch screen is blank, and then switch on the printer power. If the same message is displayed again, pull out the drum and toner cartridges of that color, and then insert them again. If the error still is not resolved, contact your local dealer.
092-319	[Cause] Density of Magenta color is low. [Remedy] Switch off the printer power, make sure that the touch screen is blank, and then switch on the printer power. If the same message is displayed again, pull out the drum and toner cartridges of that color, and then insert them again. If the error still is not resolved, contact your local dealer.
092-320	[Cause] Density of Cyan color is low. [Remedy] Switch off the printer power, make sure that the touch screen is blank, and then switch on the printer power. If the same message is displayed again, pull out the drum and toner cartridges of that color, and then insert them again. If the error still is not resolved, contact your local dealer.
092-321	[Cause] Density of Black color is low. [Remedy] Switch off the printer power, make sure that the touch screen is blank, and then switch on the printer power. If the same message is displayed again, pull out the drum and toner cartridges of that color, and then insert them again. If the error still is not resolved, contact your local dealer.

“093-001”–“093-999”

Error Code	Cause/Remedy
093-320	[Cause] An error occurred in the printer. [Remedy] Switch off the printer power, make sure that the touch screen is blank, and then switch on the printer power. If the error still is not resolved, contact your local dealer.
093-324	[Cause] An error occurred. [Remedy] Switch off the printer power, make sure that the touch screen is blank, and then switch on the printer power. If the same message is displayed again, contact your local dealer.
093-339	[Cause] An error occurred in the printer. [Remedy] Switch off the printer power, make sure that the touch screen is blank, and then switch on the printer power. If the error still is not resolved, contact your local dealer.

Error Code	Cause/Remedy
093-441	[Cause] An error occurred in the toner cartridge [Y] (yellow). [Remedy] Pull out the toner cartridge [Y] (yellow), shake the cartridge up and down and left and right, and then insert the cartridge again.
093-442	[Cause] An error occurred in the toner cartridge [M] (magenta). [Remedy] Pull out the toner cartridge [M] (magenta), shake the cartridge up and down and left and right, and then insert the cartridge again.
093-443	[Cause] An error occurred in the toner cartridge [C] (cyan). [Remedy] Pull out the toner cartridge [C] (cyan), shake the cartridge up and down and left and right, and then insert the cartridge again.
093-445	[Cause] The toner cartridge [K] (black) is empty. [Remedy] Replace the toner cartridge [K] (black) with a new one.

“094-001”–“098-999”

Error Code	Cause/Remedy
094-310 094-311	[Cause] An error occurred in the printer. [Remedy] Switch off the printer power, make sure that the touch screen is blank, and then switch on the printer power. If the error still is not resolved, contact your local dealer.
094-318	[Cause] An error occurred. [Remedy] Switch off the printer power, make sure that the touch screen is blank, and then switch on the printer power. If the same message is displayed again, contact your local dealer.
094-325 094-326	[Cause] An error occurred in the printer. [Remedy] Switch off the printer power, make sure that the touch screen is blank, and then switch on the printer power. If the error still is not resolved, contact your local dealer.

“099-001”–“101-999”

Error Code	Cause/Remedy
099-396 099-397 099-398 099-399	[Cause] An error occurred in the printer. [Remedy] Switch off the printer power, make sure that the touch screen is blank, and then switch on the printer power. If the same message is displayed again, contact your local dealer.

“102-001”–“115-999”

Error Code	Cause/Remedy
102-356 103-314	[Cause] An error occurred. [Remedy] Switch off the printer power, make sure that the touch screen is blank, and then switch on the printer power. If the same message is displayed again, contact your local dealer.

“116-001”–“116-999”

Error Code	Cause/Remedy
116-220	[Cause] Failed to enter the Download mode. [Remedy] Contact your local dealer.
116-310 116-311 116-312 116-313 116-314 116-315 116-316 116-317 116-318 116-319 116-321 116-322 116-323 116-324	[Cause] An error occurred in the printer. [Remedy] Switch off the printer power, make sure that the touch screen is blank, and then switch on the printer power. If the same message is displayed again, contact your local dealer.
116-325 116-328 116-329 116-330 116-331 116-334 116-336 116-337 116-340 116-341	[Cause] An error occurred. [Remedy] Switch off the printer power, make sure that the touch screen is blank, and then switch on the printer power. If the same message is displayed again, contact your local dealer.
116-342	[Cause] An error occurred. [Remedy] Contact your local dealer.

Error Code	Cause/Remedy
116-343 116-345 116-348 116-349 116-353 116-354 116-355 116-356 116-357 116-359 116-360 116-361 116-362 116-363 116-364 116-365 116-366 116-367 116-368	<p>[Cause] An error occurred.</p> <p>[Remedy] Switch off the printer power, make sure that the touch screen is blank, and then switch on the printer power. If the same message is displayed again, contact your local dealer.</p>
116-370 116-371 116-372 116-373 116-374 116-376 116-377 116-378 116-379 116-380 116-381 116-382 116-383 116-384 116-385	<p>[Cause] An error occurred.</p> <p>[Remedy] Switch off the printer power, make sure that the touch screen is blank, and then switch on the printer power. If the same message is displayed again, contact your local dealer.</p>
116-387	<p>[Cause] An error occurred in the printer.</p> <p>[Remedy] Switch off the printer power, make sure that the touch screen is blank, and then switch on the printer power. If the same message is displayed again, contact your local dealer.</p>
116-389	<p>[Cause] An error occurred.</p> <p>[Remedy] Switch off the printer power, make sure that the touch screen is blank, and then switch on the printer power. If the same message is displayed again, contact your local dealer.</p>
116-390	<p>[Cause] An error occurred in the printer.</p> <p>[Remedy] Follow the message displayed on the touch screen and initialize the memory of the printer.</p>
116-391 116-392 116-393 116-394 116-395 116-396 116-397 116-399	<p>[Cause] An error occurred in the printer.</p> <p>[Remedy] Switch off the printer power, make sure that the touch screen is blank, and then switch on the printer power. If the same message is displayed again, contact your local dealer.</p>

Error Code	Cause/Remedy
116-701	<p>[Cause] Unable to use the 2 Sided Printing feature because of insufficient memory.</p> <p>[Remedy] Increase memory, or install the hard disk on the models of which hard disk drive is an option. For information on installing the hard disk, contact your local dealer.</p>
116-702	<p>[Cause] A print job was processed using a substitute font.</p> <p>[Remedy] Check the print data.</p>
116-710	<p>[Cause] The correct document size could not be judged because the receive data exceeded the HP-GL/2* spool size.</p> <p>*: An optional component is required for some models. For more information, contact your local dealer.</p> <p>[Remedy] Increase the size assigned to HP-GL/2 auto layout memory.</p>
116-713	<p>[Cause] The data has been divided into several jobs because of insufficient data storage space.</p> <p>[Remedy] Delete unnecessary data from the data storage space.</p>
116-714	<p>[Cause] An HP-GL/2 command error occurred.</p> <p>[Remedy] Check the print data.</p>
116-719	<p>[Cause] A feature not supported by the printer was executed.</p> <p>[Remedy] Cancel the parameters not supported by the printer.</p>
116-720	<p>[Cause] An error occurred during print processing because of insufficient memory.</p> <p>[Remedy] Stop unnecessary ports or delete unnecessary data to free up disk space.</p>
116-721	<p>[Cause] The printer has processed the preset operation printing in black and white due to the restriction settings.</p> <p>[Remedy] Check the time permitted for the operation for you, and try again, or consult your system administrator to change your authorization.</p>
116-722 116-723	<p>[Cause] The printer has processed the preset operation printing in black and white due to the restriction settings.</p> <p>[Remedy] Consult your system administrator to change your authorization.</p>
116-724	<p>[Cause] The printer has processed the preset operation printing in 2-sided due to the restriction settings.</p> <p>[Remedy] Consult your system administrator to change your authorization.</p>
116-726	<p>[Cause] The printer has processed the preset operation printing in black and white and in 2-sided due to the restriction settings.</p> <p>[Remedy] Consult your system administrator to change your authorization.</p>
116-727	<p>[Cause] The printer has processed the preset operation printing in 2-sided due to the restriction settings.</p> <p>[Remedy] Consult your system administrator to change your authorization.</p>

Error Code	Cause/Remedy
116-728	<p>[Cause] The printer has processed the preset operation printing in black and white or in 2-sided due to the restriction settings.</p> <p>[Remedy] Consult your system administrator to change your authorization.</p>
116-738	<p>[Cause] The size and orientation of the form specified are not matched with the paper to be printed.</p> <p>[Remedy] Match the size and orientation of the paper with the form specified, and print again.</p>
116-739	<p>[Cause] The form or logo data cannot be registered because memory for the form and logo data or memory capacity is insufficient.</p> <p>[Remedy] Delete unnecessary data, or free up the space for the form memory.</p>
116-740	<p>[Cause] A numerical value operation error occurred because a value exceeding the value limit of the printer was used in the print data.</p> <p>[Remedy] Check the print data.</p>
116-741	<p>[Cause] The form cannot be registered because the number of the form registration exceeds the maximum number allowed.</p> <p>[Remedy] Delete unnecessary form. The maximum number allowed is 2048 for machines with a hard disk drive or 64 for machines with no hard disk drive.</p>
116-742	<p>[Cause] The logo data cannot be registered because the number of the logo data registration exceeds the maximum number allowed.</p> <p>[Remedy] Delete unnecessary logo data.</p>
116-743	<p>[Cause] The logo data or form cannot be registered because the memory for the form and logo data is insufficient.</p> <p>[Remedy] Increase memory.</p>
116-746	<p>[Cause] The form specified is not registered.</p> <p>[Remedy] Use the form registered, or register the form.</p>
116-747	<p>[Cause] The paper margin value is too large for the HP-GL/2* active coordinates area.</p> <p>*: An optional component is required for some models. For more information, contact your local dealer.</p> <p>[Remedy] Decrease the paper margin value, and then execute the operation again.</p>
116-748	<p>[Cause] There is no plot data in the HP-GL/2* print data.</p> <p>*: An optional component is required for some models. For more information, contact your local dealer.</p> <p>[Remedy] Check the print data.</p>
116-749	<p>[Cause] The job was cancelled because the specified font does not exist.</p> <p>[Remedy] Install the font, or set the print driver to replace the font.</p>
116-750	<p>[Cause] Banner sheet tray malfunction</p> <p>[Remedy] Restore the tray to normal condition or change the Banner sheet tray.</p>

Error Code	Cause/Remedy
116-751	<p>[Cause] The process has been canceled because the data storage space is full.</p> <p>[Remedy]Delete stored data from the data storage space. If the error still is not resolved, split the file and send the job again.</p>
116-752	<p>[Cause] The descriptions of the PDF or XPS printing job ticket have a problem.</p> <p>[Remedy]Execute the operation again. If the error still is not resolved, contact your local dealer.</p> <p>Note</p> <ul style="list-style-type: none"> • XPS stands for XML Paper Specification.
116-780	<p>[Cause] There is a problem with the document attached to the received e-mail.</p> <p>[Remedy]Check the attached document.</p>

“117-001”–“117-999”

Error Code	Cause/Remedy
117-311	<p>[Cause] An error occurred.</p> <p>[Remedy]Contact your local dealer.</p>
117-312	<p>[Cause] An error occurred in the printer.</p> <p>[Remedy]Contact your local dealer.</p>
117-316	<p>[Cause] An error occurred in the printer.</p> <p>[Remedy]Switch off the printer power, make sure that the touch screen is blank, and then switch on the printer power. If the same message is displayed again, contact your local dealer.</p>
117-317 117-318	<p>[Cause] An error occurred in the printer.</p> <p>[Remedy]Wait until the printer restarts.</p>
117-319 117-320 117-321 117-322 117-323 117-324 117-325 117-326 117-327 117-329	<p>[Cause] An error occurred.</p> <p>[Remedy]Switch off the printer power, make sure that the touch screen is blank, and then switch on the printer power. If the error still is not resolved, contact your local dealer.</p>
117-330 117-331 117-332 117-333	<p>[Cause] An error occurred in the printer.</p> <p>[Remedy]Switch off the printer power, make sure that the touch screen is blank, and then switch on the printer power. If the same message is displayed again, contact your local dealer.</p>
117-343 117-345	<p>[Cause] An error occurred in the printer.</p> <p>[Remedy]Contact your local dealer.</p>
117-347	<p>[Cause] An error occurred in the printer.</p> <p>[Remedy]Switch off the printer power, make sure that the touch screen is blank, and then switch on the printer power. If the same message is displayed again, contact your local dealer.</p>

Error Code	Cause/Remedy
117-348	<p>[Cause] The unformatted SD card used in the other machine is installed.</p> <p>[Remedy] Switch off the printer power, make sure that the touch screen is blank, and then switch on the printer power. If the error still is not resolved, contact your local dealer.</p>
117-349 117-354 117-355 117-356	<p>[Cause] An error occurred in the printer.</p> <p>[Remedy] Switch off the printer power, make sure that the touch screen is blank, and then switch on the printer power. If the same message is displayed again, contact your local dealer.</p>
117-357	<p>[Cause] TPM fail occurred.</p> <p>[Remedy] Switch off the printer power, make sure that the touch screen is blank, and then switch on the printer power. If the error still is not resolved, contact your local dealer.</p>
117-358	<p>[Cause] An error occurred in the printer.</p> <p>[Remedy] Switch off the printer power, make sure that the touch screen is blank, and then switch on the printer power. If the error still is not resolved, contact your local dealer.</p>
117-360	<p>[Cause] The year in the Date & Time setting is out of the available range.</p> <p>[Remedy] Turn off the printer, and turn it on again. Change the year to a correct value. If the error still is not resolved, contact your local dealer.</p>
117-364	<p>[Cause] The key information is illegal.</p> <p>[Remedy] Switch off the printer power, make sure that the touch screen is blank, and then switch on the printer power. If the error still is not resolved, contact your local dealer.</p>

“118-001”–“122-999”

Error Code	Cause/Remedy
118-310	<p>[Cause] An error occurred in the printer.</p> <p>[Remedy] Switch off the printer power, make sure that the touch screen is blank, and then switch on the printer power. If the same message is displayed again, contact your local dealer.</p>
121-317 121-318 121-323	<p>[Cause] An error occurred between the printer and the device connected.</p> <p>[Remedy] Switch off the printer power, make sure that the touch screen is blank, and then switch on the printer power. If the same message is displayed again, contact your local dealer.</p>

“123-001”–“126-999”

Error Code	Cause/Remedy
124-310 124-311 124-312 124-313 124-314 124-315 124-316 124-317 124-318 124-319 124-320 124-321 124-322 124-323 124-324 124-325	<p>[Cause] An error occurred in the printer.</p> <p>[Remedy] Switch off the printer power, make sure that the touch screen is blank, and then switch on the printer power. If the same message is displayed again, contact your local dealer.</p>
124-326	<p>[Cause] An error occurred in the printer.</p> <p>[Remedy] Follow the on-screen instruction to enter information.</p>
124-327	<p>[Cause] An error occurred in the printer.</p> <p>[Remedy] Switch off the printer power, make sure that the touch screen is blank, and then switch on the printer power. If the same message is displayed again, contact your local dealer.</p>
124-328	<p>[Cause] The punch unit settings are required.</p> <p>[Remedy] Follow the on-screen instruction to set the punch unit.</p>
124-331 124-333 124-334 124-335 124-337 124-338 124-339 124-340 124-341 124-342 124-343 124-344 124-345 124-346 124-347 124-348 124-349 124-350 124-351 124-352 124-353 124-354 124-355 124-356 124-357	<p>[Cause] An error occurred in the printer.</p> <p>[Remedy] Switch off the printer power, make sure that the touch screen is blank, and then switch on the printer power. If the same message is displayed again, contact your local dealer.</p>
124-359	<p>[Cause] An error occurred in the printer.</p> <p>[Remedy] Wait until the printer restarts.</p>

Error Code	Cause/Remedy
124-360 124-361 124-362 124-363 124-372 124-373 124-374 124-380 124-381 124-382 124-383 124-390 124-391 124-392 124-393	<p>[Cause] An error occurred in the printer.</p> <p>[Remedy] Switch off the printer power, make sure that the touch screen is blank, and then switch on the printer power. If the same message is displayed again, contact your local dealer.</p>
125-311	<p>[Cause] An error occurred in the printer.</p> <p>[Remedy] Switch off the printer power, make sure that the touch screen is blank, and then switch on the printer power. If the same message is displayed again, contact your local dealer.</p>

“127-001”–“132-999”

Error Code	Cause/Remedy
127-310 127-311 127-312 127-313 127-314 127-315 127-320 127-353 127-354 127-396 127-398 127-399 132-310 132-311	<p>[Cause] An error occurred in the printer.</p> <p>[Remedy] Switch off the printer power, make sure that the touch screen is blank, and then switch on the printer power. If the same message is displayed again, contact your local dealer.</p>

Other Errors

This section describes the remedies when the following messages are displayed.

Error Message	Cause and Remedy
A fault has occurred. Switch off the printer. (xxx-yyy)	<p>[Cause] An error occurred.</p> <p>[Remedy] Switch off the printer power, make sure that the touch screen is blank, and then switch the printer power on again.</p> <p>If the message persists, record the content displayed for [(xxx-yyy)]. Then immediately switch the power off, make sure that the touch screen is blank, and then contact your local dealer.</p>

Error Message	Cause and Remedy
Completed with an error. (xxx-yyy)	[Cause] An error occurred, and the operation terminated abnormally. [Remedy] Execute the operation again.

Paper Jams

When a paper jam occurred, the printer stops and an alarm beeps. A message is also displayed on the touch screen. Follow the instructions displayed to remove the jammed paper.

Gently remove the paper to avoid it to be torn. If the paper is torn, remove all the torn pieces, making sure that none remain inside the printer.

If a paper jam message appears again after you have cleared the paper jam, another paper jam may be occurred in some other parts of the printer. Clear this by following the message.

When the paper jam is cleared, printing is automatically resumed from the point when the paper jam occurred.

 **CAUTION**

Do not attempt to remove a paper deeply jammed inside the product, particularly a paper wrapped around the fusing unit or the heat roller. Switch off the product immediately and contact your local dealer.

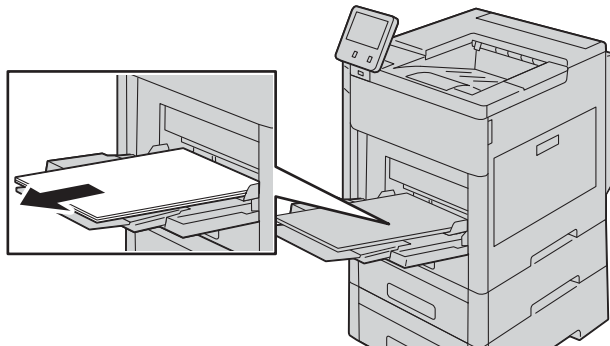
Important

- When a paper jam occurred, if you pull out a paper tray without checking the paper jam location, the jammed paper may be torn and the pieces may remain inside the printer. This may cause machine malfunctions; therefore, always check where the paper jam occurred first.
- If any piece of jammed paper remains inside the printer, the paper jam message will not disappear from the touch screen.
- Clear the paper jams while the printer is powered on. If you turn off the printer, all data stored on the memory of the printer will be erased.
- Do not touch components inside the printer. This may cause print defects.

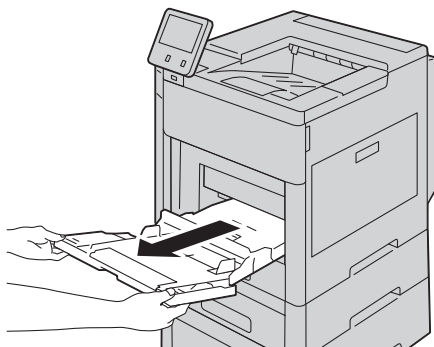
Paper Jams in the Bypass Tray

The following describes how to clear paper jams occurring in the Bypass Tray.

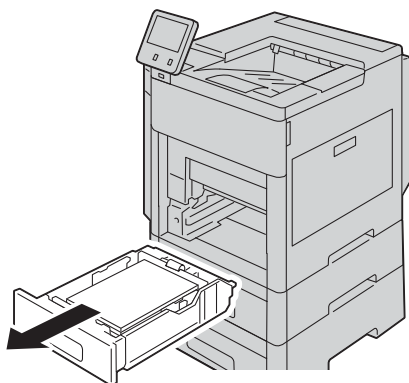
- 1 Remove any paper from the Bypass Tray.



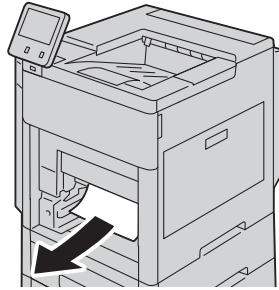
- 2 Hold both sides of the Bypass Tray, then pull it straight out of the printer.



- 3 Remove Tray 1 from the printer.



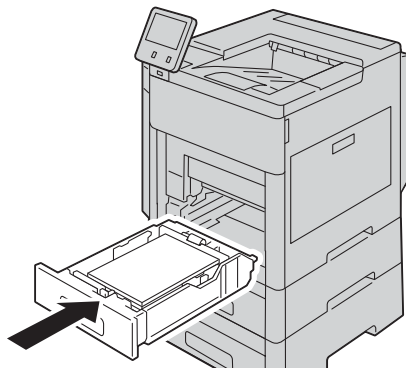
- 4** Remove the jammed paper.



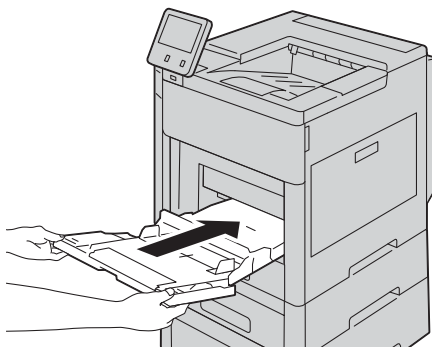
- 5** Insert Tray 1 into the printer, then push it all the way in.

Note

- If the tray is extended for large size paper, the tray protrudes when it is inserted into the printer.



- 6** Insert the Bypass Tray completely into the printer.



- 7** Verify or change the paper settings.

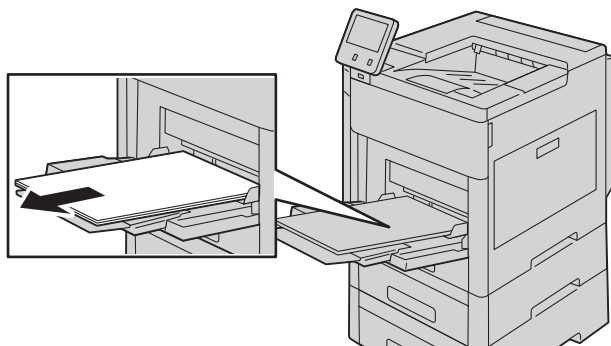
- 1) To confirm the same paper size, type, or color, select [OK].
- 2) To select a new paper size, type, or color, touch the current setting, then select a new setting. Select [OK] to save the settings.

- 8** Press the Home button.

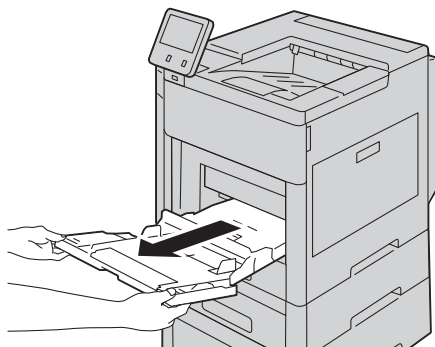
Paper Jams in Tray 1

The following describes how to clear paper jams occurring in Tray 1.

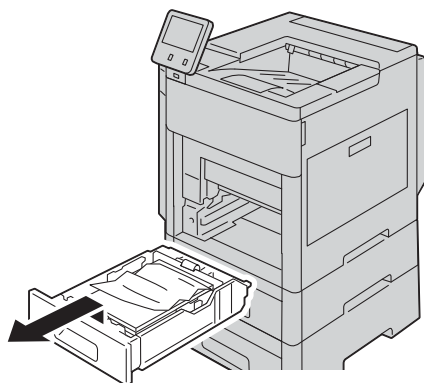
- 1 Remove any paper from the Bypass Tray.



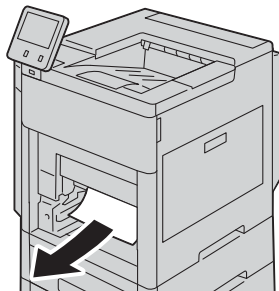
- 2 Hold both sides of the Bypass Tray, then pull it straight out of the printer.



- 3 Remove Tray 1 from the printer.



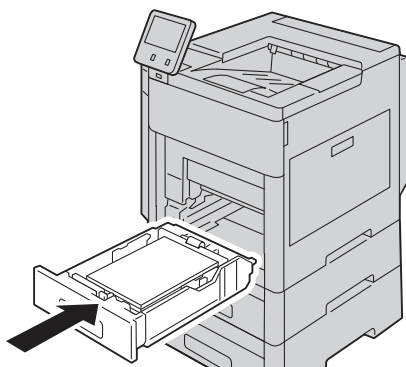
- 4 Remove any crumpled paper from the tray and any remaining paper jammed in the printer.



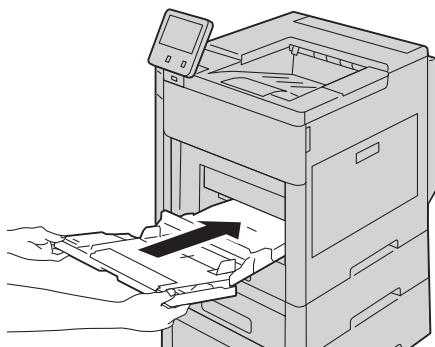
- 5 Insert Tray 1 into the printer, then push it all the way in.

Note

- If the tray is extended for large size paper, the tray protrudes when it is inserted into the printer.



- 6 Insert the Bypass Tray completely into the printer.



- 7 If [Tray Mode] is set to [Fully Adjustable], you are prompted to verify or change the paper settings.

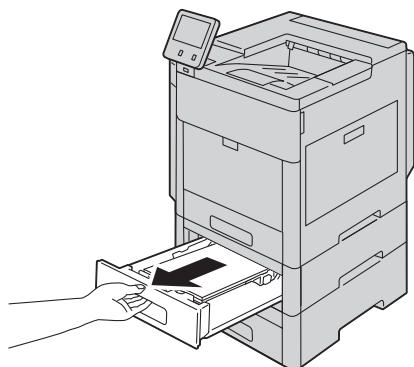
- 1) To confirm the same paper size, type, or color, select [OK].
- 2) To select a new paper size, type, or color, touch the current setting, then select a new setting. Select [OK] to save the settings.

- 8 Press the Home button to return to the [Home] screen.

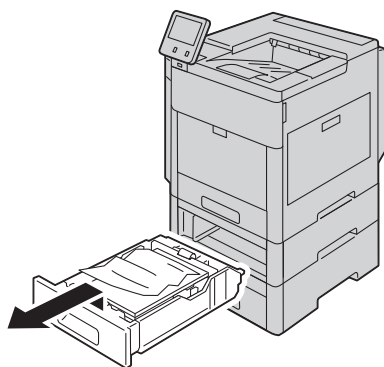
Paper Jams in Trays 2 to 4

The following describes how to clear paper jams occurring in Trays 2 to 4.

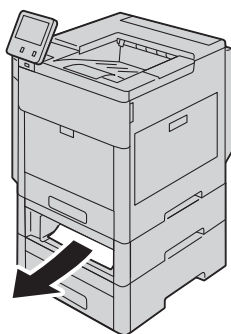
- 1 For the tray reported on the touch screen display, pull out the tray until it stops.



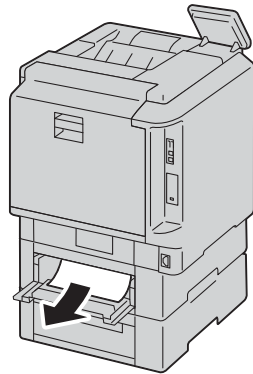
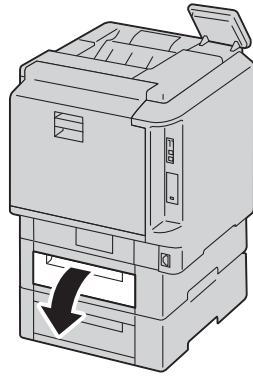
- 2 Lift the front of the tray slightly, and remove the tray from the printer.



- 3 Remove any crumpled paper from the tray and any remaining paper jammed at the front of the printer.



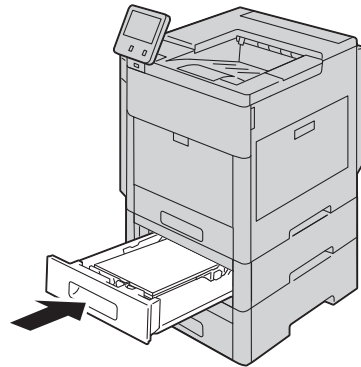
- 4** For the same tray, at the back of the printer, locate the jam-access door. Open the door to remove any jammed paper.



- 5** Insert the tray into the printer, then push the tray in until it stops.

Note

- If the tray is extended for large size paper, the tray protrudes when it is inserted into the printer.



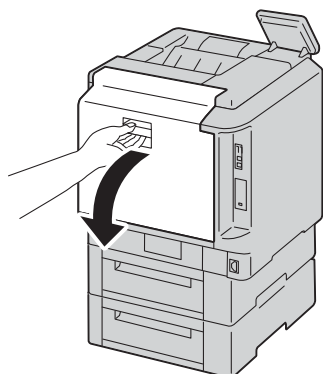
- 6** If [Tray Mode] is set to [Fully Adjustable], you are prompted to verify or change the paper settings.

- 1) To confirm the same paper size, type, or color, select [OK].
- 2) To select a new paper size, type, or color, touch the current setting, then select a new setting. Select [OK] to save the settings.

Paper Jams in the Fusing Unit

The following describes how to clear paper jams occurring in the Fusing Unit.

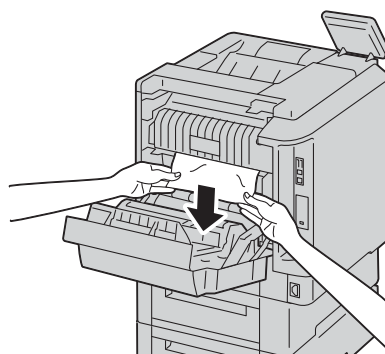
- 1 Lift the rear door release and pull open the door.



- 2 Check whether any jammed paper is exposed under the fusing unit or not, and follow the procedure depending on each case:

When any jammed paper is exposed under the fusing unit:

- 1) Remove any jammed paper.

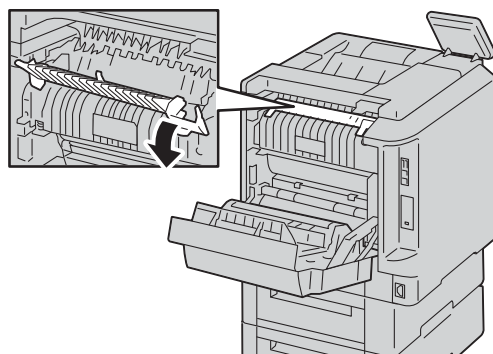


Important

- Be sure to pull the jammed paper downward, otherwise unfixed toner sticks onto the fusing unit. To clean the fusing unit, see "Fusing Unit Cleaning" (P.151).

When any jammed paper is NOT exposed under the fusing unit:

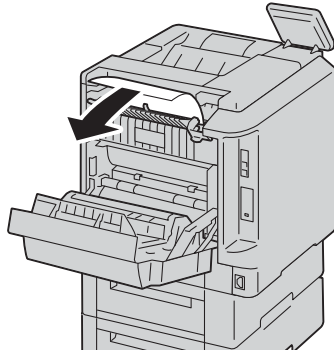
- 1) Lift the tab to open the paper guide on the top of the fusing unit.



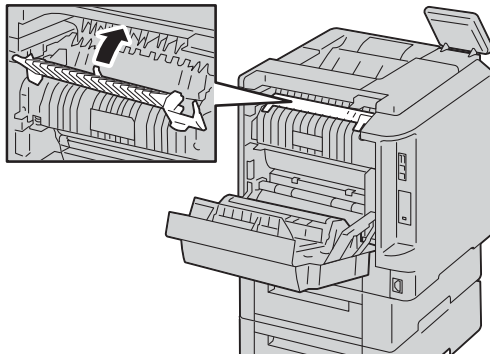
2) Remove any jammed paper.

Important

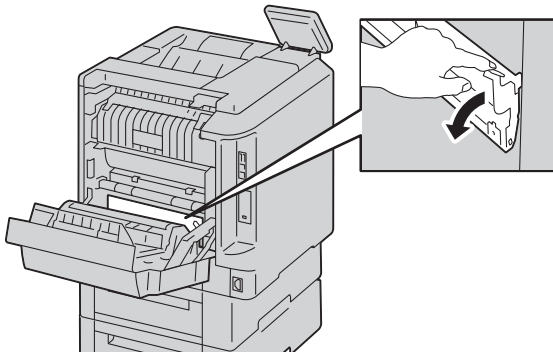
- The fusing unit is hot. Do not touch it, doing so may cause burns.



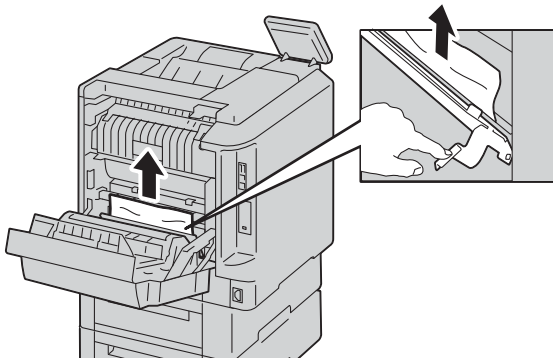
3) Close the paper guide on the fusing unit.



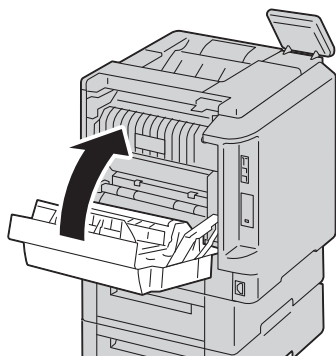
3 Pull the lever at the lower right part of the interior to open the flap.



4 Remove any remaining paper jammed in the printer.



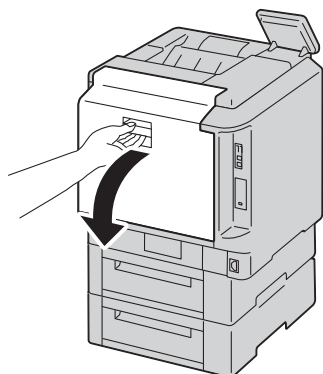
- 5 Close the rear door.



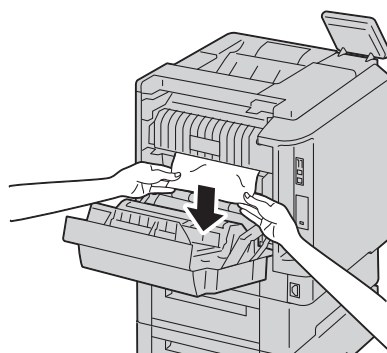
Paper Jams in the Duplex Unit

The following describes how to clear paper jams occurring between the duplex module and the rear door.

- 1 Lift the rear door release and pull open the door.



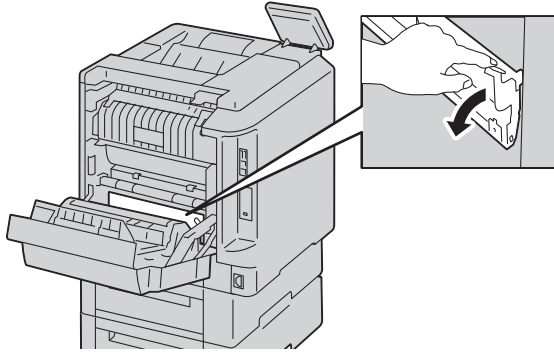
- 2 Remove any jammed paper.



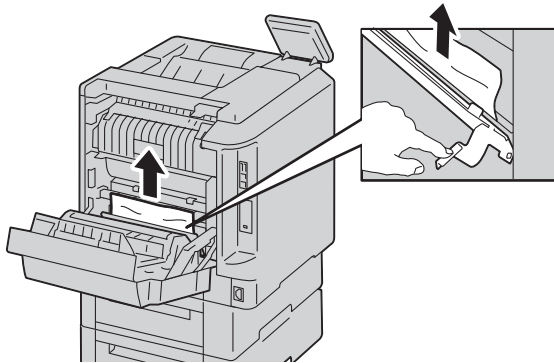
Important

- Be sure to pull the jammed paper downward, otherwise unfixed toner sticks onto the fusing unit. To clean the fusing unit, see "Fusing Unit Cleaning" (P.151).

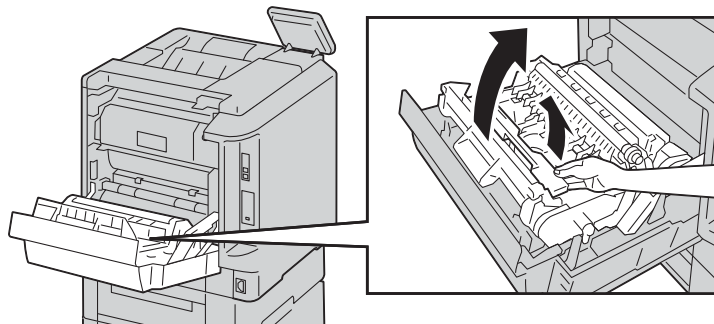
- 3** Pull the lever at the lower right part of the interior to open the flap.



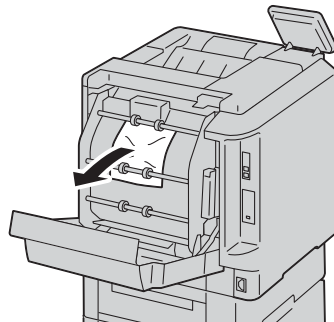
- 4** Remove any remaining paper jammed in the printer.



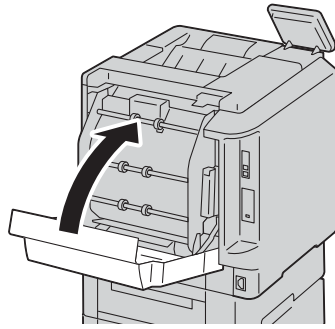
- 5** Bring up the duplex module by pulling the lever and put it to the main body.



- 6** Remove any jammed paper caught between the duplex module and the rear door.



7 Close the rear door.



12

Appendix

Specifications

This section lists the main specifications of the printer. Note that the specifications and the appearance of the product may change without prior notice.

Basic Specifications

■ Type

Desktop/Console

■ Printing Method

LED Xerography

Note

- LED + LED electrophotographic system

■ Warm-up Time

105 seconds or less (when the printer is turned on and the room temperature is at 23 °C)

■ Continuous Print Speed

Important

- The speed may be reduced due to image quality adjustment.
- 1 Sided
Letter: 24 sheets/minute, A4: 23 sheets/minute
- 2 Sided
Letter: 23.6 sheets/minute, A4: 22.6 sheets/minute

■ Printing Resolution

1200 × 2400 dpi

■ Halftone/Printable Colors

256 tones

■ Paper Size

- Tray 1:
A4, Letter, 7" × 10", 4" × 8"^[*], 5" × 7", 3.5" × 5"
Custom size (Width: 88.9 mm to 215.9 mm (3.5" to 8.5"), Length: 127 mm to 355.6 mm (5" to 14"))
- Trays 2 to 4:
A4, Letter, 7" × 10", 4" × 8"^[*], 5" × 7"
Custom size (Width: 88.9 mm to 215.9 mm (3.5" to 8.5"), Length: 177.8 mm to 355.6 mm (7" to 14"))
- Bypass Tray:
A4, Letter, 7" × 10", 4" × 8"^[*], 5" × 7", 3.5" × 5"
Custom size (Width: 88.9 mm to 215.9 mm (3.5" to 8.5"), Length: 127 mm to 355.6 mm (5" to 14"))

- 2 Sided Print:

A4, Letter, 7" × 10", 4" × 8"^[*], 5" × 7", 3.5" × 5"

Custom size (Width: 88.9 mm to 215.9 mm (3.5" to 8.5"), Length 127 mm to 355.6 mm (5" to 14"))

- Image Loss Width

For Bordered: Top edge, 4 mm or less; bottom edge, 2 mm or less; left and right edges, 2.5 mm or less

For Borderless: No image loss up to A4 size

[*]Prepared as the preset paper size, but not guaranteed.

■ Paper Weight

Tray 1: 140 to 324 gsm

Trays 2 to 4: 140 to 324 gsm

Bypass Tray: 140 to 220 gsm

2 Sided Print: 140 to 324 gsm

Important

- The use of paper recommended by FUJIFILM is suggested. Printing may not be performed correctly depending on the paper type, paper quality, or paper size. When using custom-size paper, check the paper feeding performance in advance. Do not use special ink jet paper. Postcards made from recycled paper may not be used at times. Print quality may deteriorate if printing on preprinted paper or the back of printed paper, or if the environment of use is dry, cold, or hot and humid climates. For details, contact the FUJIFILM local subsidiary or distributor.

■ Paper Tray Capacity

- Standard Sheet Feeder:

59.4 mm or less in height

- Bypass Tray:

16.5 mm or less in height

■ Output Tray Capacity

50 sheets (Face down)

Important

- Recommended value when using thick paper (140 to 324 gsm). For details, contact the FUJIFILM local subsidiary or distributor.

■ 2 Sided Feature

Standard

■ Memory

2 GB

■ PDL

ART-EX, TIFF, PDF, PCL6, PCL5

■ Operating System

- Standard: PCL Driver

Windows[®] 10 (32bit)

Windows[®] 10 (64bit)

Windows® 8.1 (32bit)

Windows® 8.1 (64bit)

Windows® 7 (32bit)

Windows® 7 (64bit)

■ Interface

USB 3.0, Ethernet 10BASE-T/100BASE-TX/1000BASE-T

■ Protocol

TCP/IP, lpd, IPP, Port9100

■ Power Supply

AC 100 to 127 V ± 10 %, 12 A, 50/60 Hz ± 3 %

■ Noise

During operation (main unit only): 7.35 B

During stand-by (main unit only): 4.9 B

Important

- Measurements were conducted based on ISO7779.
- Unit B: Acoustic power level (LWAd)

■ Power Consumption

Maximum power consumption: 1400 W

Sleep mode: 0.9 W

■ Dimensions

Width 470 × Depth 539.5 × Height 443.4 mm

Note

- Main unit without protrusion and optional accessories.

■ Weight

Approximately 39 kg (with toner cartridges)

■ Usage Environment

- During Use
 - Temperature: 5 °C to 32 °C
 - Humidity: 15 % to 85 % (except malfunctions due to dew condensation)
- Non-Use
 - Temperature: -20 °C to 40 °C
 - Humidity: 5 % to 85 % (except malfunctions due to dew condensation)
- Image Quality Security Environment
 - Temperature: 15 °C to 28 °C
 - Humidity: 20 % to 70 %

Important

- Until the conditions (temperature and humidity) inside the printer become acclimated to the installation environment, print quality may deteriorate depending on the paper quality.

Optional Components

The following table shows the optional components available. To purchase these options, contact your local dealer.

Product Name	Description
Sheet Feeder	Allows you to add a paper tray.
Caster	Provides four legs for machine installation.

Note

- The optional components are subject to change without notice.
- For the latest information, contact your local dealer.

