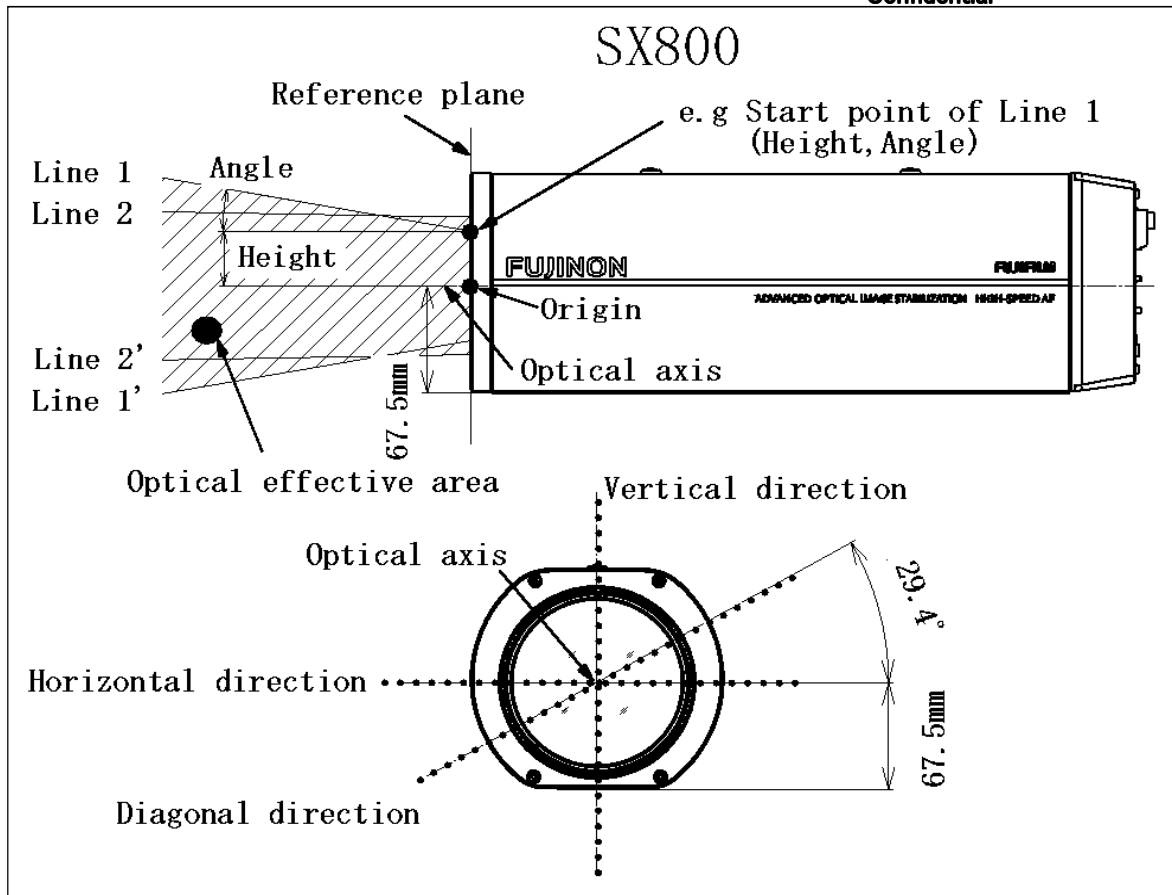


Data of boundary lines(Design value)

FUJIFILM 19.03.26
Confidential



Data of boundary lines(Design value) for KX88(1/1.8")

| Image height x 2 Aspect ratio 16:9 | Line 1 / Line 1' | | Line 2 / Line 2' | |
|---------------------------------------|------------------|------------|------------------|------------|
| | Height[mm] | Angle[deg] | Height[mm] | Angle[deg] |
| Vertical direction | ±20.08 | ±7.0 | ±57.89 | ±1.2 |
| Horizontal direction | ±31.77 | ±11.7 | ±58.05 | ±1.8 |
| Diagonal direction | ±35.65 | ±13.3 | ±58.09 | ±1.8 |

Diagonal = Diagonal direction of imaging area

<< Note >>

1. All values above are for reference and please make the optical effective area as wider as possible to avoid blocking rays out.
2. When design lens housing, please pay attention to not affect the optical quality of the lens and the final quality of the image should be confirmed by actual photographing.

<< Regarding "Data of boundary lines" >>

First of all we define optical effective area which all of rays forming the image pass through. Boundary lines are edges of the optical effective area. When putting anything in front of the lens, it is necessary to keep out of the boundary lines.