

■ Specifications

Product specifications and appearance are subject to change without advance notice.

Model name		FP-Z6000		
DLP chip	Size	0.67 in, 16:10 aspect ratio		
	Display method	1 chip DLP		
	Resolution	2,304,000 pixel (1920 x 1200)		
Lens	Type	Folded two-axial rotatable lens		
	Shift	Electrical: Vertical $\pm 70\%$, Horizontal $\pm 35\%$		
	Zoom	Electrical: x1.0-x1.1		
	Throw ratio(TR)* ¹	0.34 (Wide)-0.37 (Telephoto)		
	Focal length	f=5.0mm (Wide)-5.5mm (Telephoto)		
	F No.	F2.3 (Wide)-F2.39 (Telephoto)		
Keystone correction range		Vertical $\pm 5^\circ$ / Horizontal $\pm 5^\circ$		
Light source		Laser diode		
Brightness [ANSI lm* ²]		6,000lm		
Light output half time* ³		Up to about 20,000 hours		
Contrast ratio* ⁴		12,000:1		
Projected image size		70-300 inches		
Speaker		10W x 1		
Maximum display resolution(WxH)		WUXGA 1920 x 1200		
Terminals	Video IN terminals	HDMI 1 IN	TypeA HDMI 2.0 (Compatible with HDCP 2.2, Accept 3840 x 2160 60P Input)	
		DisplayPort IN	DisplayPort 20pin Display Port1.2 (Compatible HDCP 1.3, Accept 3840 x 2160 Input)	
		SDI IN	BNC 3G/HD/SD SDI 対応	
		HDBaseT IN	RJ-45 for video/audio/connection control (Accept 3840 x 2160 Input)	
	Control IN/OUT terminals	LAN	RJ-45 for network connection (10BASE-T/100Base-TX)	
		HDBaseT	RJ-45 for projector connection control	
		RS-232C	D-Sub 9Pin for projector connection control	
	Audio IN/OUT terminals	AUDIO IN	3.5mm stereo mini jack	
		AUDIO OUT	3.5mm stereo mini jack	
	Other	USB 1	TypeA for maintenance, DC 5V 1.5A(Max)	
Power supply		AC 100-120V, AC 220-240V 50/60Hz		
Power consumption		642W, Normal:604W, Eco:386W		
Power consumption (during standby)		Approx.0.5W, Network standby Approx.3.0W		
Dimensions		460mm (W) x 510mm (D) x 162.5mm (H) (excluding adjustable feet)		
Weight		Approx.17.5 kg (38.6 lb)		
Noise level* ⁵		Normal:41dB, Eco:38dB		
Operation environment	Operating temperature		0-40°C (32-104°F)	
	Operating humidity		10-90% (without condensation)	
	Storage temperature		-20 - 60°C (-4-140°F)	
Accessories included		Power cord 3.0m (9.8ft)		
		Power cord lock		
		Lens cap		
		Remote control		
		Remote control battery (AAA type x2)		
		Basic manual		

*1 The "throw ratio" is the throw distance divided by the screen width.

*2 The average value for this model at shipment, according to ANSI standards.

*3 The estimated time taken for brightness to drop by half. Varies with the operating environment and conditions of use.

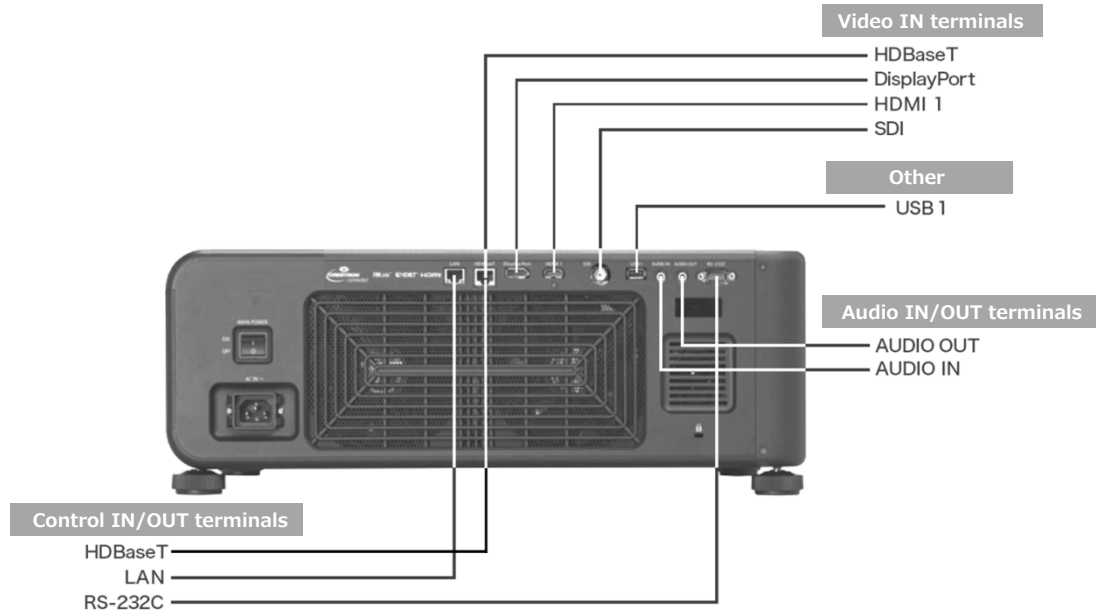
*4 Assumes that dynamic contrast ratio is on.

*5 The average value for this model at shipment.

■ Remote control unit

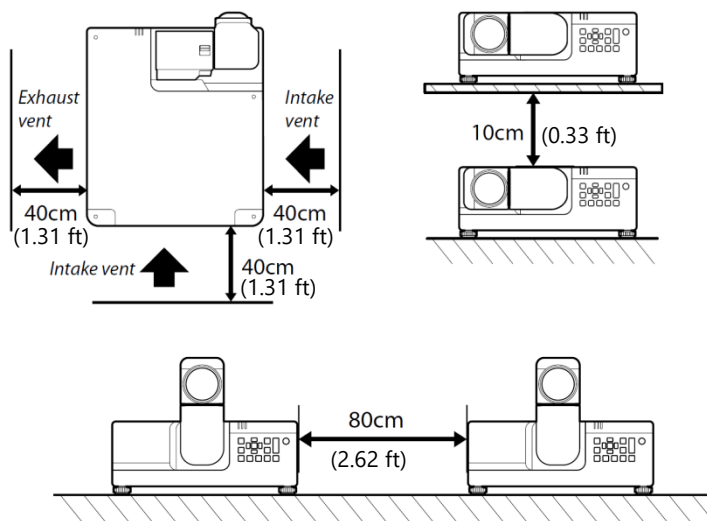
Power supply	DC3V (AAA type x2)
Receiving angle	±30°
Receiving distance	Approx.8.0 m (26ft)
Dimensions	42 x 134.3 x 22.3mm (1.7 x 5.3 x 0.9in)
Weight	Approx.52g (0.11lb) (without battery)

■ Terminals



■ Notes on projector installation

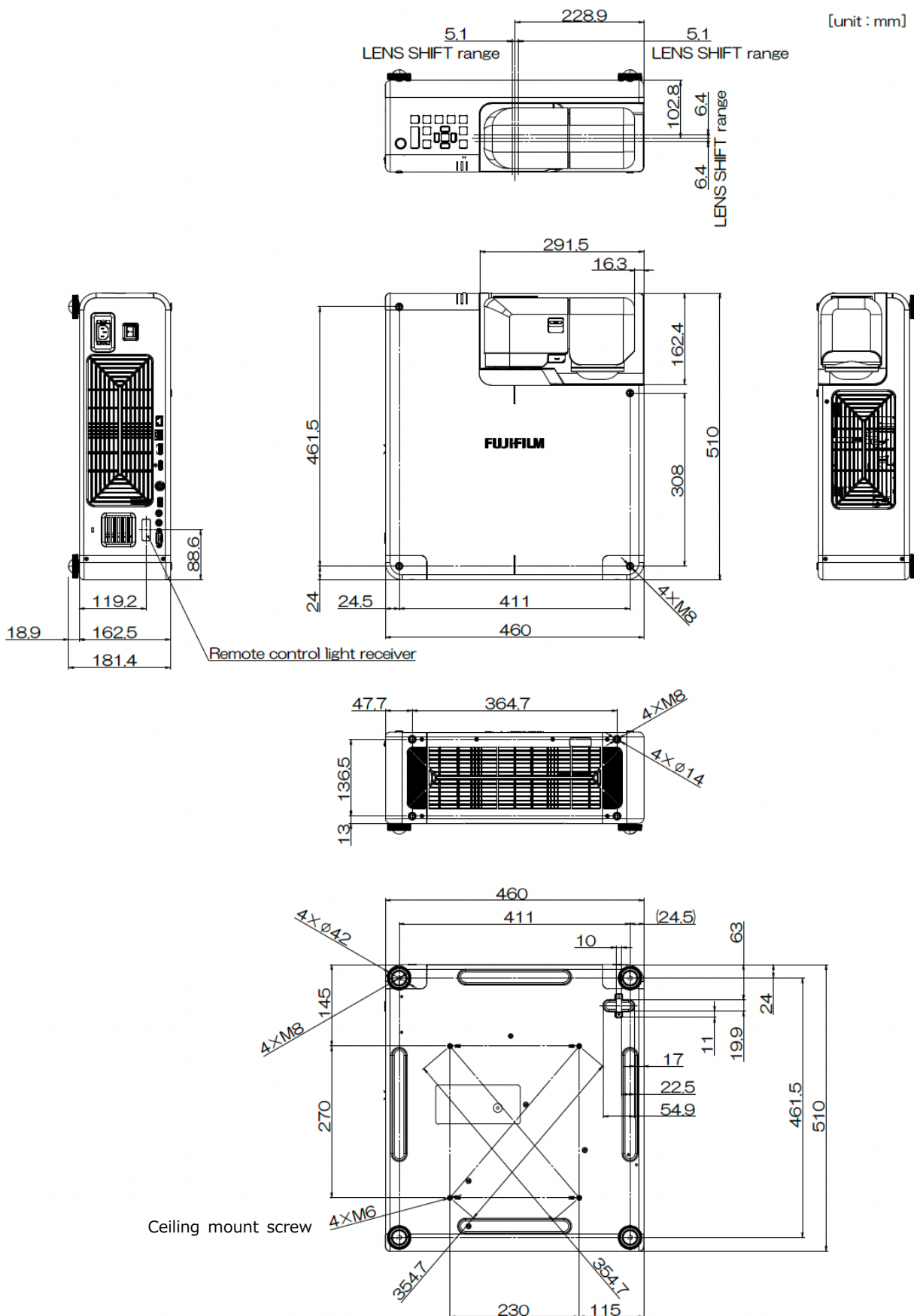
- When installing the projector, choose a location where the vents will be a safe distance from walls or other obstructions. When installing units one above another, for example on shelves, leave a distance of no less than approximately 10 cm (0.33 ft) between the shelves and the wall.
- When installing two or more projectors side-by-side, leave a space of at least 80 cm (2.62 ft) between them. You will also need to ensure that the warm air from the exhaust vent does not enter any of the projectors' intake vents.
- Do not obstruct the vents. The build-up of heat inside the projector could cause fire.



■ Dimensions1

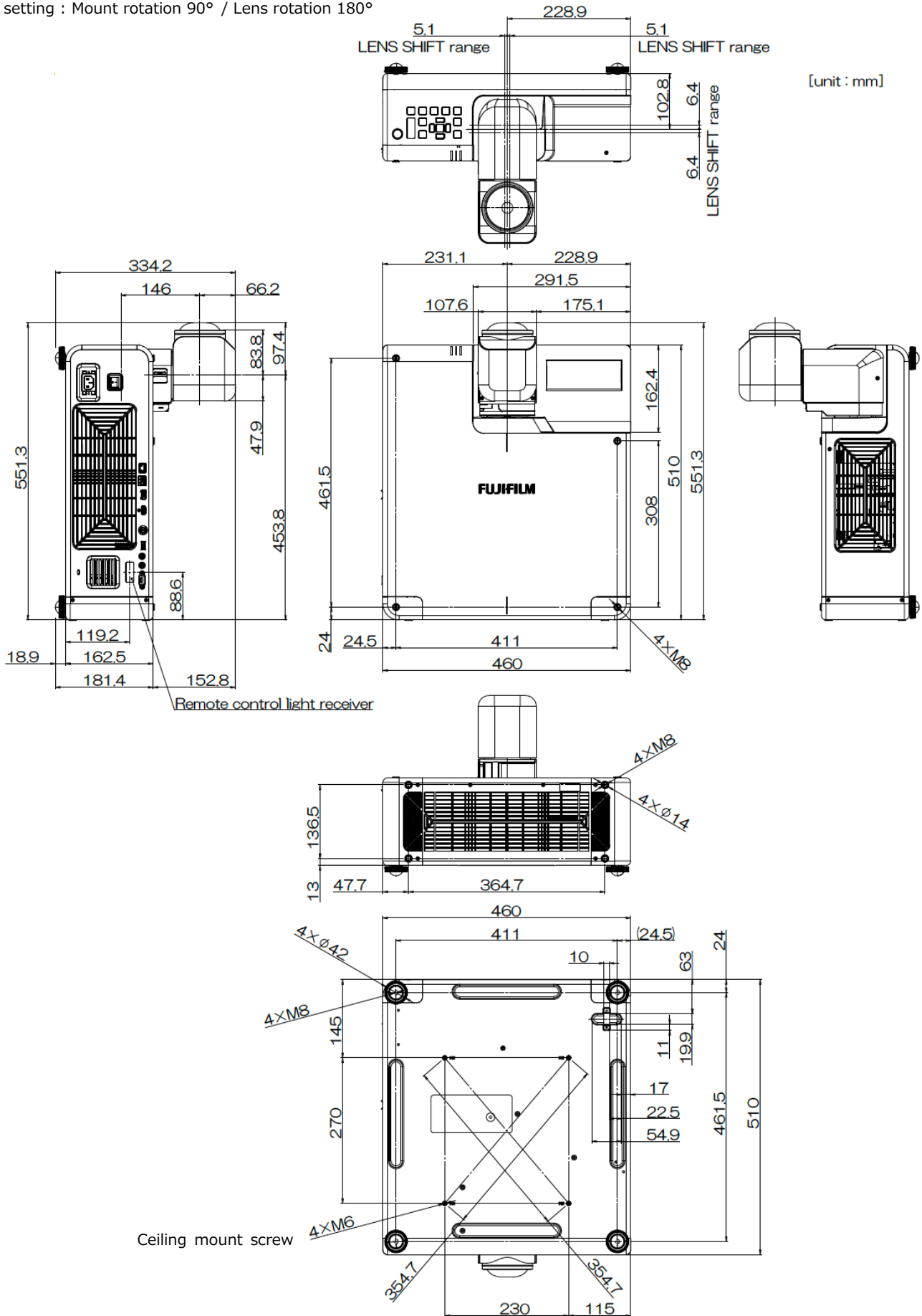
Lens setting : Mount rotation 0° / Lens rotation 0°

[unit : mm]



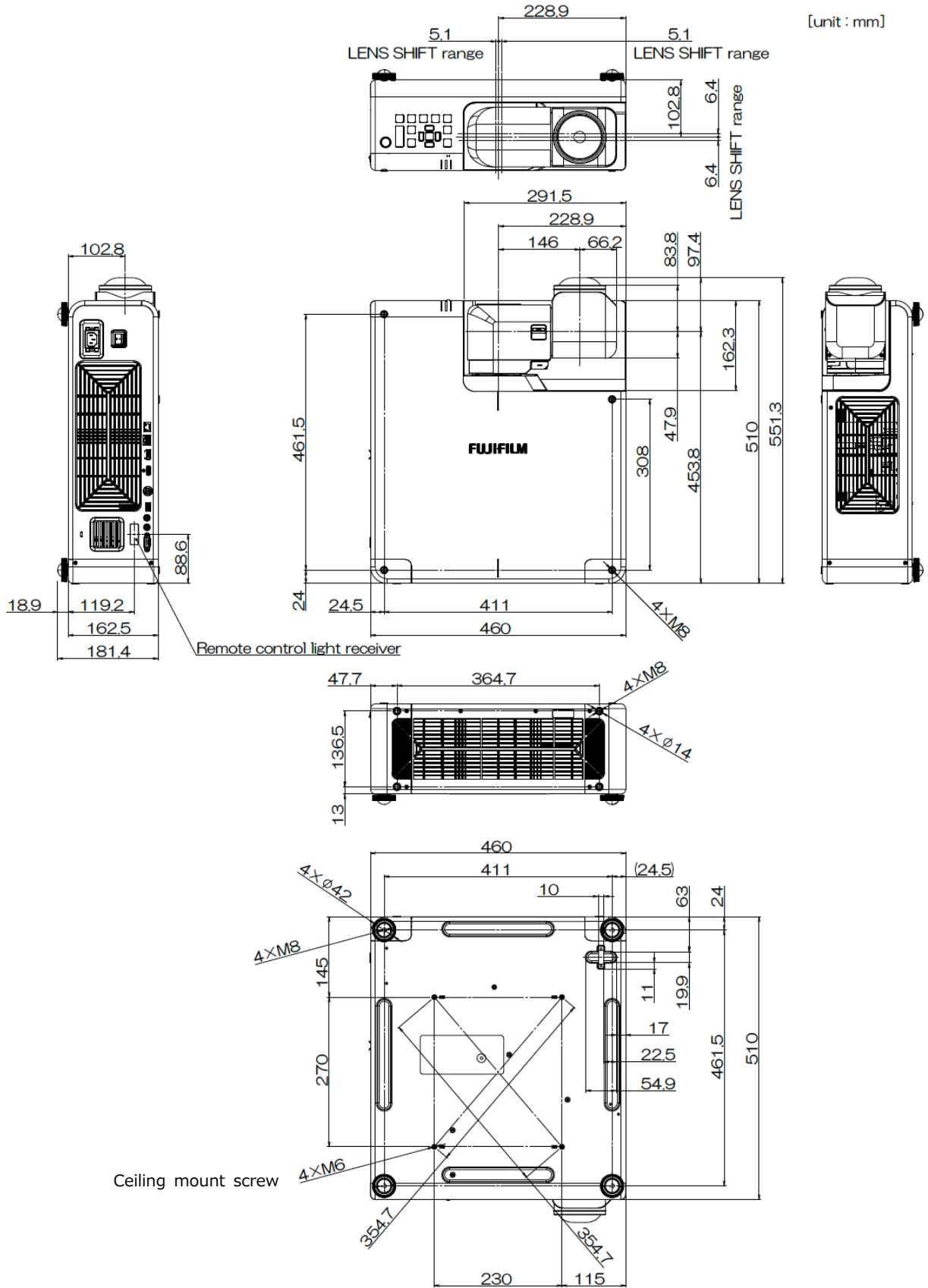
■ Dimensions2

Lens setting : Mount rotation 90° / Lens rotation 180°



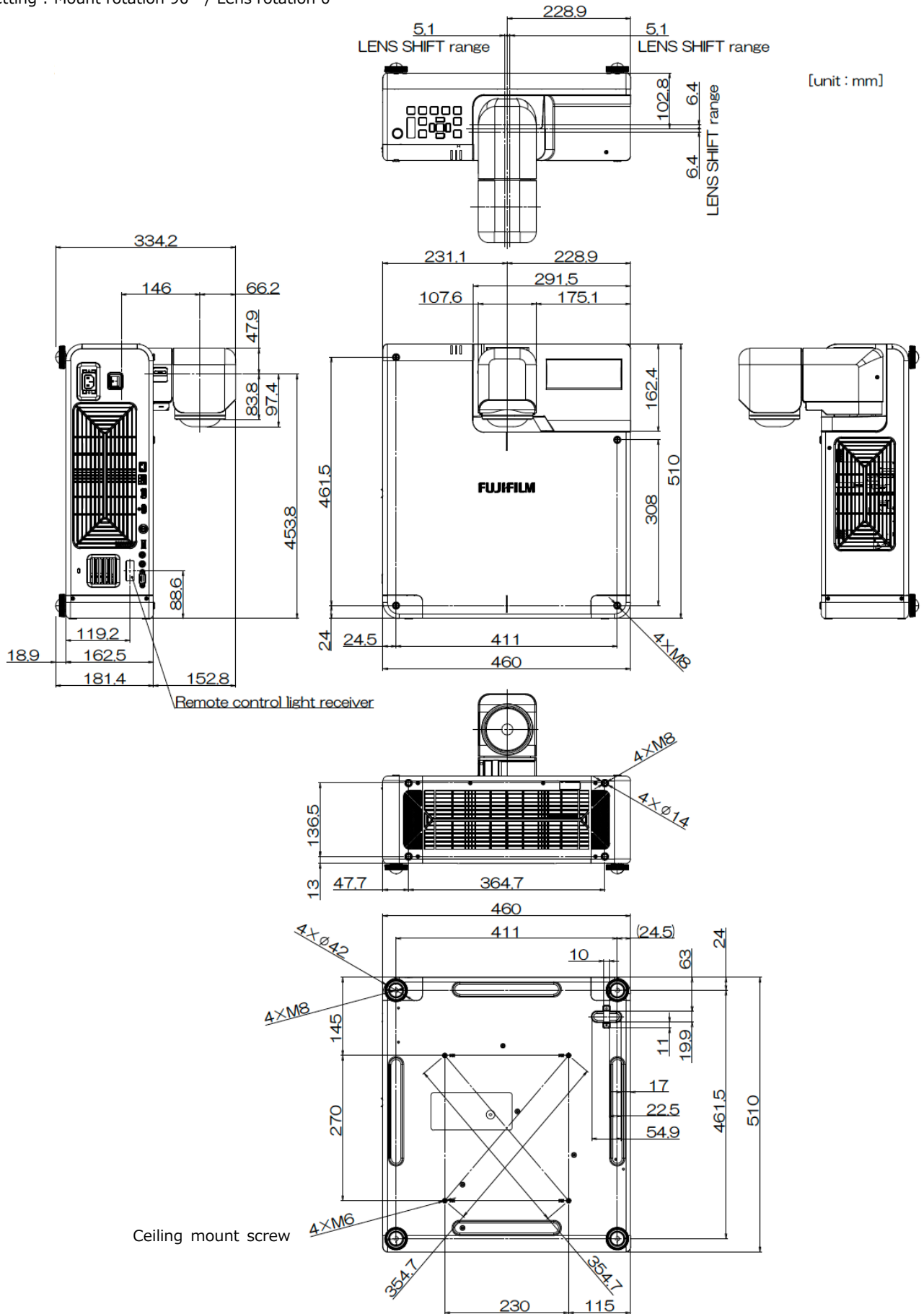
■ Dimensions3

Lens setting : Mount rotation 0° / Lens rotation 180°



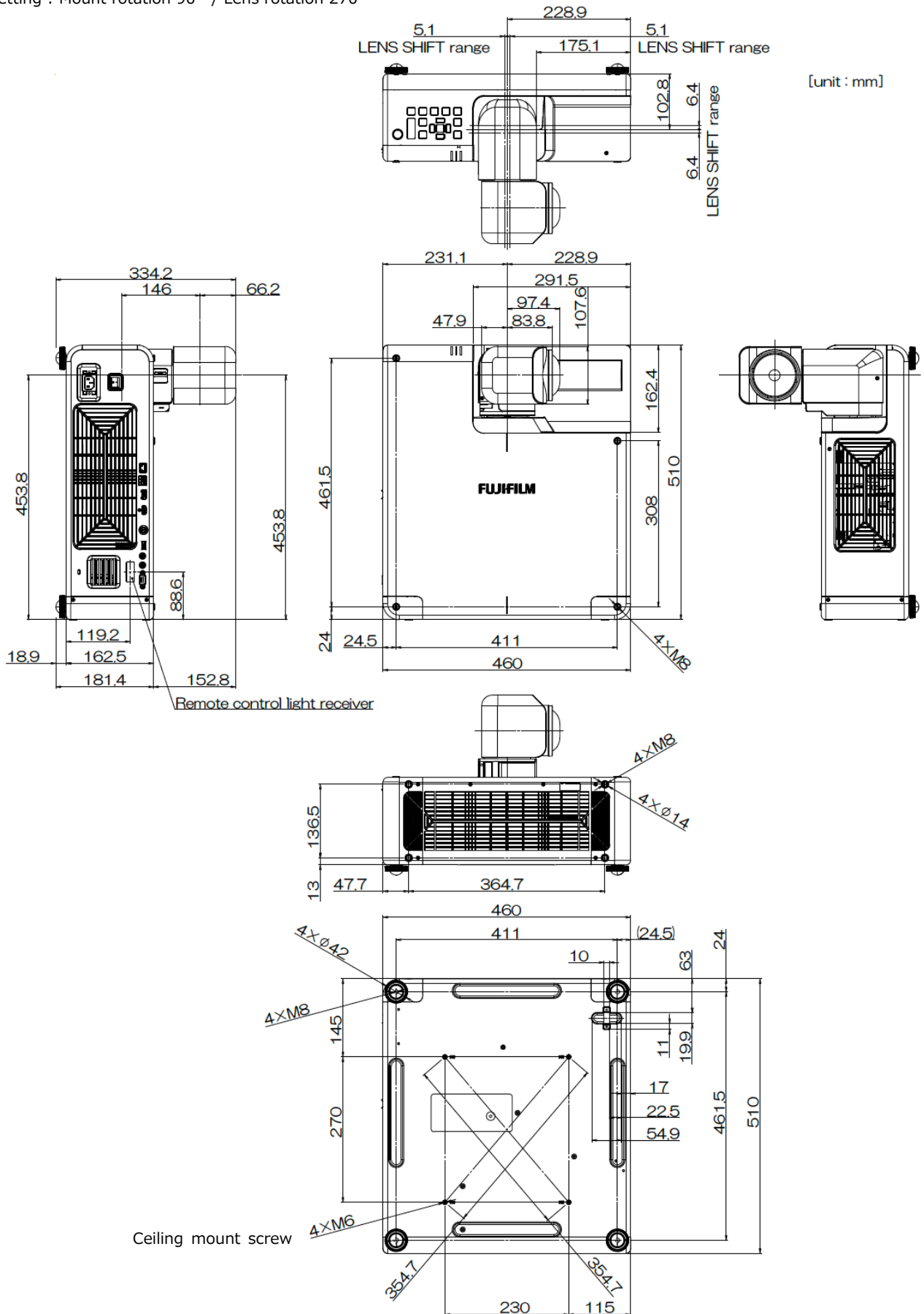
■ Dimensions4

Lens setting : Mount rotation 90° / Lens rotation 0°



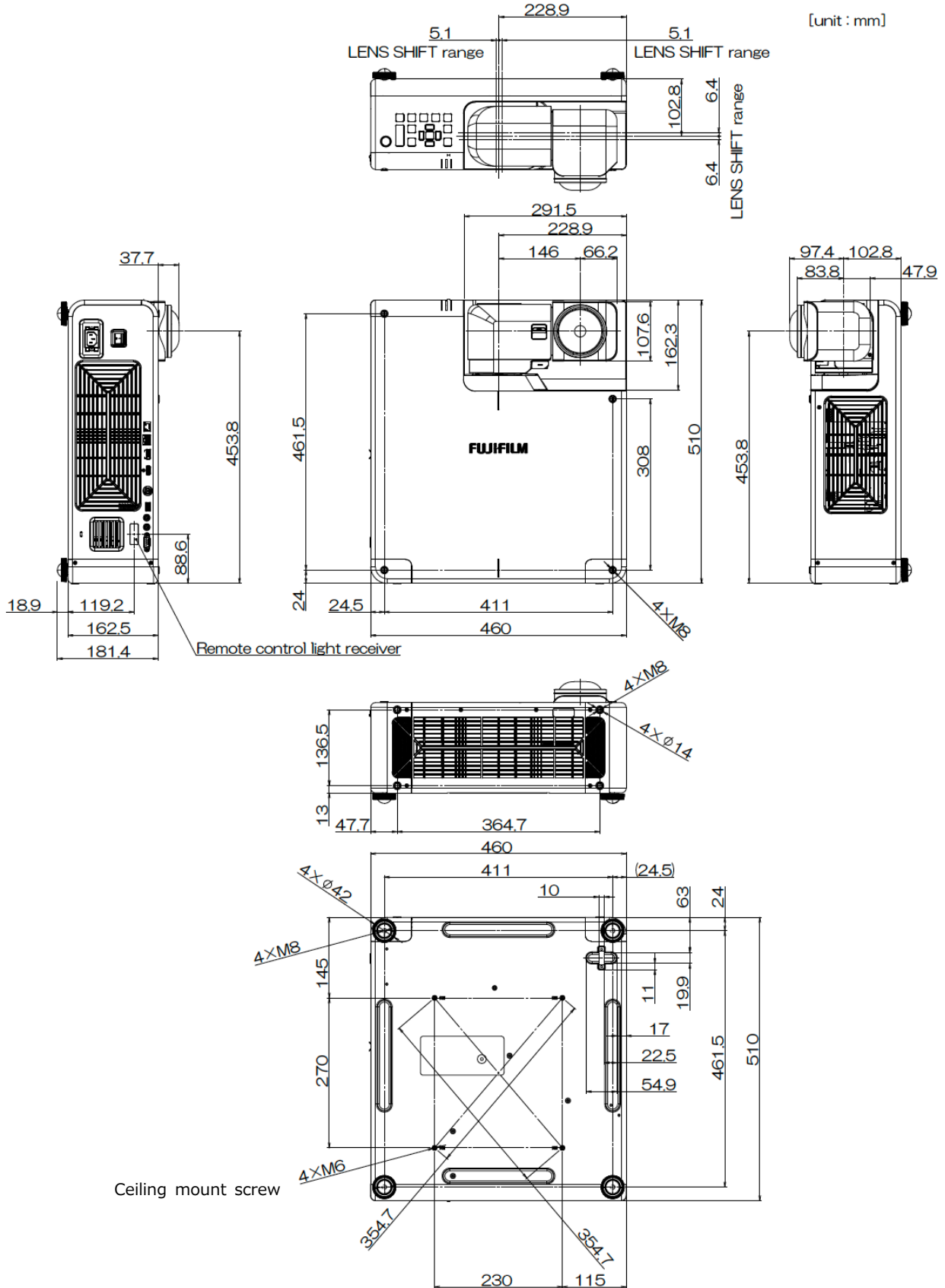
■ Dimensions5

Lens setting : Mount rotation 90° / Lens rotation 270°



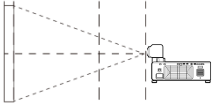
■ Dimensions6

Lens setting : Mount rotation 0° / Lens rotation 90°

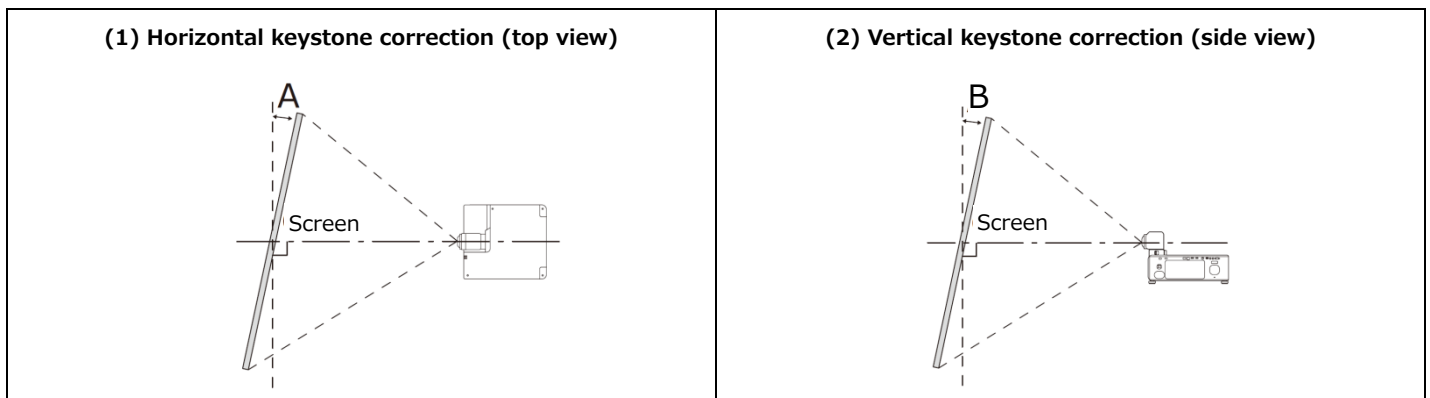


■ Geometric Correction Range

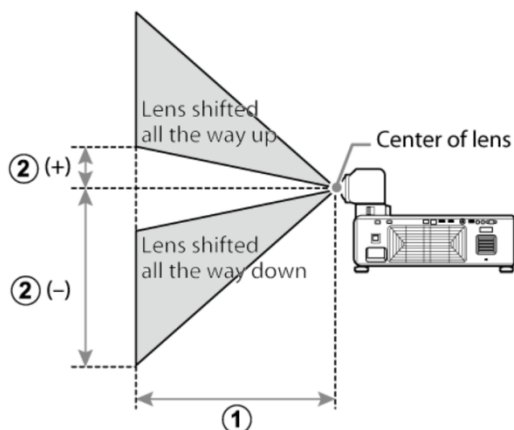
Figures are approximations and may vary from the actual values by a few percent. Adjustments to focus may fail to produce the desired results at higher values.

Lens shift position	Keystone correction* 1	
	(1) Horizontal Correction angle "A"	(2) Vertical Correction angle "B"
V±0% vertical (V), ±0% horizontal (H) 	±5°	±5°

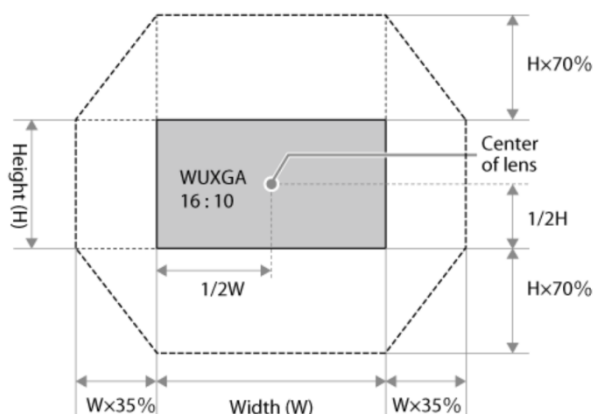
* 1 Amount applied using Keystone in the projector menus.



■ Projection Distance



■ Lens Shift Range



■ Projection Distance Tables

Figures are approximate, differing from the actual values by a few percent.

More details on projection distance are available via a simulator on the Fujifilm website:

<https://optics.fujifilm.com/projector/simulator/en.html>

[Screen aspect ratio 16:10]

Screen dimensions (16:10)		①Projection distance (cm/in.) min.–max. zoom	②Vertical shift (cm/in.) lowest to highest
Size(Diagonal)(in.)	W × H (cm/in.)		
70	151 × 94 / 59.4 × 37.0	50– 55 / 19.7–21.7	–113 to +19 / –44.5 to + 7.5
80	172 × 108 / 67.7 × 42.5	58– 64 / 22.8–25.2	–129 to +22 / –50.8 to + 8.7
90	194 × 121 / 76.4 × 47.6	65– 72 / 25.6–28.3	–145 to +24 / –57.1 to + 9.4
100	215 × 135 / 84.6 × 53.1	72– 80 / 28.3–31.5	–162 to +27 / –63.8 to +10.6
120	258 × 162 / 101.6 × 63.8	87– 96 / 34.3–37.8	–194 to +32 / –76.4 to +12.6
150	323 × 202 / 127.2 × 79.5	109–121 / 42.9–47.6	–242 to +40 / –95.3 to +15.7
200	431 × 269 / 169.7 × 105.9	147–161 / 57.9–63.4	–323 to +54 / –127.2 to +21.3
250	538 × 337 / 211.8 × 132.7	184–202 / 72.4–79.5	–404 to +67 / –159.1 to +26.4
300	646 × 404 / 254.3 × 159.1	221–243 / 87.0–95.7	–485 to +81 / –190.9 to +31.9

[Screen aspect ratio 16:9]

Screen dimensions (16:9)		①Projection distance (cm/in.) min.–max. zoom	②Vertical shift (cm/in.) lowest to highest
Size(Diagonal)(in.)	W × H (cm/in.)		
70	155 × 87 / 61.0 × 34.3	52– 57 / 20.5–22.4	–111 to + 24 / –43.7 to +9.4
80	177 × 100 / 69.7 × 39.4	59– 65 / 23.2–25.6	–127 to + 28 / –50.0 to +11.0
90	199 × 112 / 78.3 × 44.1	67– 74 / 26.4–29.1	–143 to + 31 / –56.3 to +12.2
100	221 × 125 / 87.0 × 49.2	75– 82 / 29.5–32.3	–159 to + 35 / –62.6 to +13.8
120	266 × 149 / 104.7 × 58.7	90– 99 / 35.4–39.0	–191 to + 42 / –75.2 to +16.5
150	332 × 187 / 130.7 × 73.6	113–124 / 44.5–48.8	–239 to + 52 / –94.1 to +20.5
200	443 × 249 / 174.4 × 98.0	151–166 / 59.4–65.4	–318 to + 69 / –125.2 to +27.2
250	553 × 311 / 217.7 × 122.4	189–208 / 74.4–81.9	–398 to + 86 / –156.7 to +33.9
300	664 × 374 / 261.4 × 147.2	227–250 / 89.4–98.4	–477 to +104 / –187.8 to +40.9

[Screen aspect ratio 4:3]

Screen dimensions (4:3)		①Projection distance (cm/in.) min.–max. zoom	②Vertical shift (cm/in.) lowest to highest
Size(Diagonal)(in.)	W × H (cm/in.)		
60	122 × 91 / 48.0 × 35.8	49– 54 / 19.3–21.3	–110 to +18 / –43.3 to +7.1
70	142 × 107 / 55.9 × 42.1	57– 63 / 22.4–24.8	–128 to +21 / –50.4 to +8.3
80	163 × 122 / 64.2 × 48.0	65– 72 / 25.6–28.3	–146 to +24 / –57.5 to +9.4
90	183 × 137 / 72.0 × 53.9	74– 81 / 29.1–31.9	–165 to +27 / –65.0 to +10.6
100	203 × 152 / 79.9 × 59.8	82– 91 / 32.3–35.8	–183 to +30 / –72.0 to +11.8
120	244 × 183 / 96.1 × 72.0	99–109 / 39.0–42.9	–219 to +37 / –86.2 to +14.6
150	305 × 229 / 120.1 × 90.2	124–137 / 48.8–53.9	–274 to +46 / –107.9 to +18.1
200	406 × 305 / 159.8 × 120.1	166–183 / 65.4–72.0	–366 to +61 / –144.1 to +24.0
240	488 × 366 / 192.1 × 144.1	200–220 / 78.7–86.6	–439 to +73 / –172.8 to +28.7

■ Supported Resolutions

[HDMI1 / DisplayPort / HDBaseT PC compatible signal]

Resolution (Dots)	Signal format	Scanning freq.		Clock freq. (MHz)
		Horizontal(kHz)	Vertical(Hz)	
640 x 480	VGA/60	31.5	59.9	25.2
	VGA/72	37.9	72.8	31.5
	VGA/75	37.5	75.0	31.5
	VGA/85	43.3	85.0	36.0
720 x 400	720 x 400/70	31.5	70.1	28.3
800 x 600	SVGA/60	37.9	60.3	40.0
	SVGA/72	48.1	72.2	50.0
	SVGA/75	46.9	75.0	49.5
	SVGA/85	53.7	85.1	56.3
	SVGA/120	77.4	119.9	83.0
1024 x 768	XGA/60	48.4	60.0	65.0
	XGA/70	56.5	70.1	75.0
	XGA/75	60.0	75.0	78.8
	XGA/85	68.7	85.0	94.5
	XGA/120	97.6	120.0	115.5
1152 x 864	1152 x 864/75	67.5	75.0	108.0
1280 x 720	1280 x 720/60	45.0	60.0	74.3
	1280 x 720/120	90.0	120.0	148.5
1280 x 768	1280 x 768/60	47.4	60.0	68.3
	1280 x 768/60	47.8	59.9	79.5
1280 x 800	WXGA/60	49.7	59.8	83.5
	WXGA/75	62.8	74.9	106.5
	WXGA/85	71.6	84.9	122.5
	WXGA/120	101.6	119.9	146.3
1280 x 1024	SXGA/60	64.0	60.0	108.0
	SXGA/75	80.0	75.0	135.0
	SXGA/85	91.1	85.0	157.5
1280 x 960	1280 x 960/60	60.0	60.0	108.0
	1280 x 960/85	85.9	85.0	148.5
1366 x 768	1366 x 768/60	47.7	59.8	85.5
1440 x 900	WXGA+/60	55.5	60.0	88.8
	WXGA+/60	55.9	59.9	106.5
1400 x 1050	SXGA+/60	65.3	60.0	121.8
1600 x 1200	UXGA	75.0	60.0	162.0
1680 x 1050	1680 x 1050/60	64.7	59.9	119.0
	1680 x 1050/60	65.3	60.0	146.3
640 x 480@67Hz	MAC13	35.0	66.7	30.2
832 x 624@75Hz	MAC16	49.7	74.5	57.3
1024 x 768@75Hz	MAC19	60.2	75.0	80.0
1152 x 870@75Hz	MAC21	68.7	75.1	100.0
1920 x 1080@60HZ	1920 x 1080/60	67.5	60.0	148.5
1920 x 1200@60HZ	1920 x 1200/60	74.0	60.0	154.0
1920 x 1080(VESA)	1920 x 1080/60	67.2	60.0	173.0
1920 x 1080@120Hz	1920 x 1080/120	137.3	120.0	285.5
3840 x 2160	3840 x 2160/30	67.5	30.0	297.0
	3840 x 2160/60*	135.0	60.0	594.0

* HDBaseT does not support the signal format.

[HDMI1 / DisplayPort / HDBaseT Video compatible signal]

Resolution (Dots)	Signal format	Scanning freq.		Clock freq. (MHz)
		Horizontal(kHz)	Vertical(Hz)	
720 x 480	480P	31.5	59.9	27.0
720 x 576	576P	31.3	50.0	27.0
1280 x 720	720/50P	37.5	50.0	74.3
	720/60P	45.0	60.0	74.3
1920 x 1080	1080/24P	27.0	24.0	74.3
	1080/25P	28.1	25.0	74.3
	1080/30P	33.8	30.0	74.3
	1080/50i	28.1	50.0	74.3
	1080/60i	33.8	60.0	74.3
	1080/50P	56.3	50.0	148.5
3840 x 2160	1080/60P	67.5	60	148.5
	2160/24P	54.0	24	297.0
	2160/25P	56.3	25	297.0
	2160/30P	67.5	30	297.0
	2160/50P*	112.5	50	594.0
	2160/60P*	135.0	60	594.0

* HDBaseT does not support the signal format.

[SDI compatible signal]

Signal format	SDI mode	Signal standards	Color format	Sampling	Bit Depth
NTSC	SD-SDI	SMPTE 259M-C 270Mbps SD	YCbCr	4:2:2	10
PAL	SD-SDI	SMPTE 259M-C 270Mbps SD	YCbCr	4:2:2	10
1080/59i	HD-SDI	SMPTE 292M 1.5Gbps HD	YCbCr	4:2:2	10
1080/60i	HD-SDI	SMPTE 292M 1.5Gbps HD	YCbCr	4:2:2	10
1080/30P	HD-SDI	SMPTE 292M 1.5Gbps HD	YCbCr	4:2:2	10
1080/25P	HD-SDI	SMPTE 292M 1.5Gbps HD	YCbCr	4:2:2	10
1080/50i	HD-SDI	SMPTE 292M 1.5Gbps HD	YCbCr	4:2:2	10
1080/24P	HD-SDI	SMPTE 292M 1.5Gbps HD	YCbCr	4:2:2	10
720/60P	HD-SDI	SMPTE 292M 1.5Gbps HD	YCbCr	4:2:2	10
720/50P	HD-SDI	SMPTE 292M 1.5Gbps HD	YCbCr	4:2:2	10
1080/25sF	HD-SDI	SMPTE 292M 1.5Gbps HD	YCbCr	4:2:2	10
1080/30sF	HD-SDI	SMPTE 292M 1.5Gbps HD	YCbCr	4:2:2	10
1080/50P	3G-SDI	SMPTE 424M 3Gbps Level-A	YCbCr	4:2:2	10
1080/59P	3G-SDI	SMPTE 424M 3Gbps Level-A	YCbCr	4:2:2	10
1080/60P	3G-SDI	SMPTE 424M 3Gbps Level-A	YCbCr	4:2:2	10